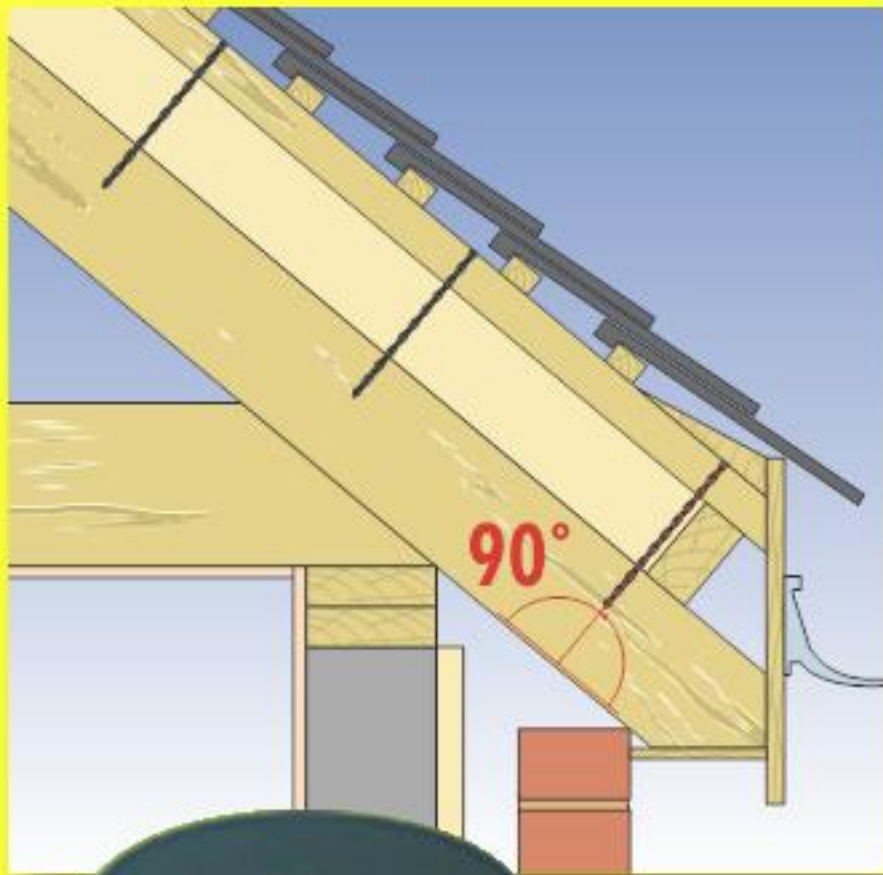
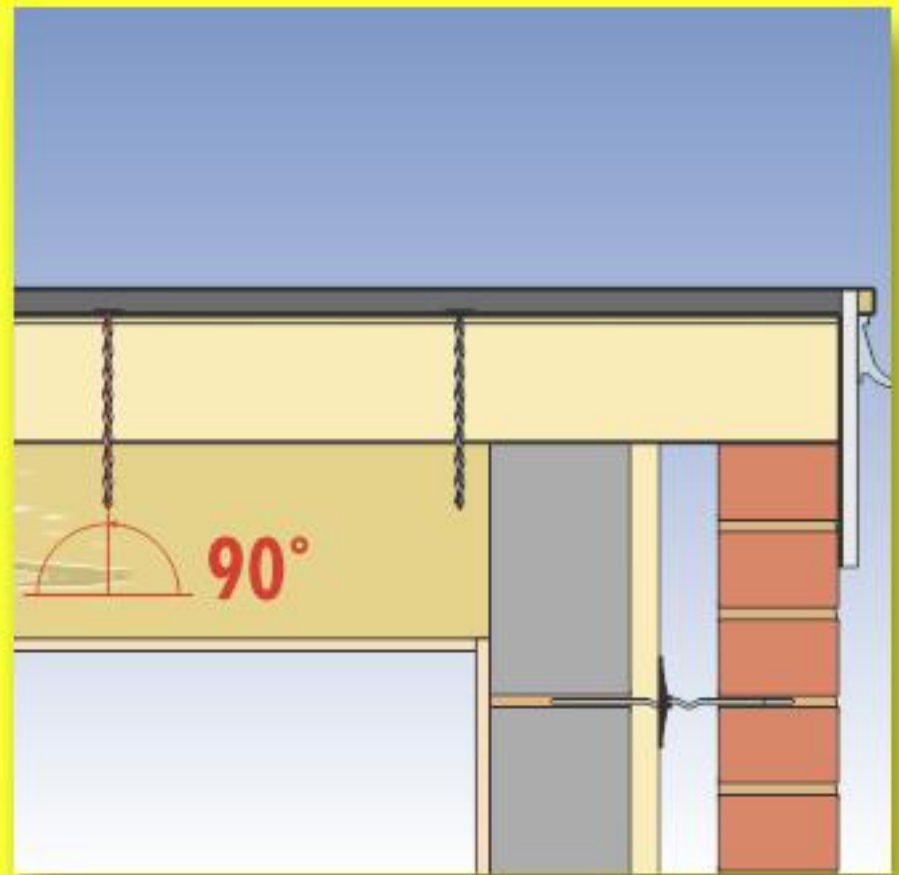


In straight, not in skew

Helical Nails for Warm Roof Construction



Pitched Roof



Flat Roof



Products for
**PITCHED &
FLAT ROOFS**



Staiifix[®]

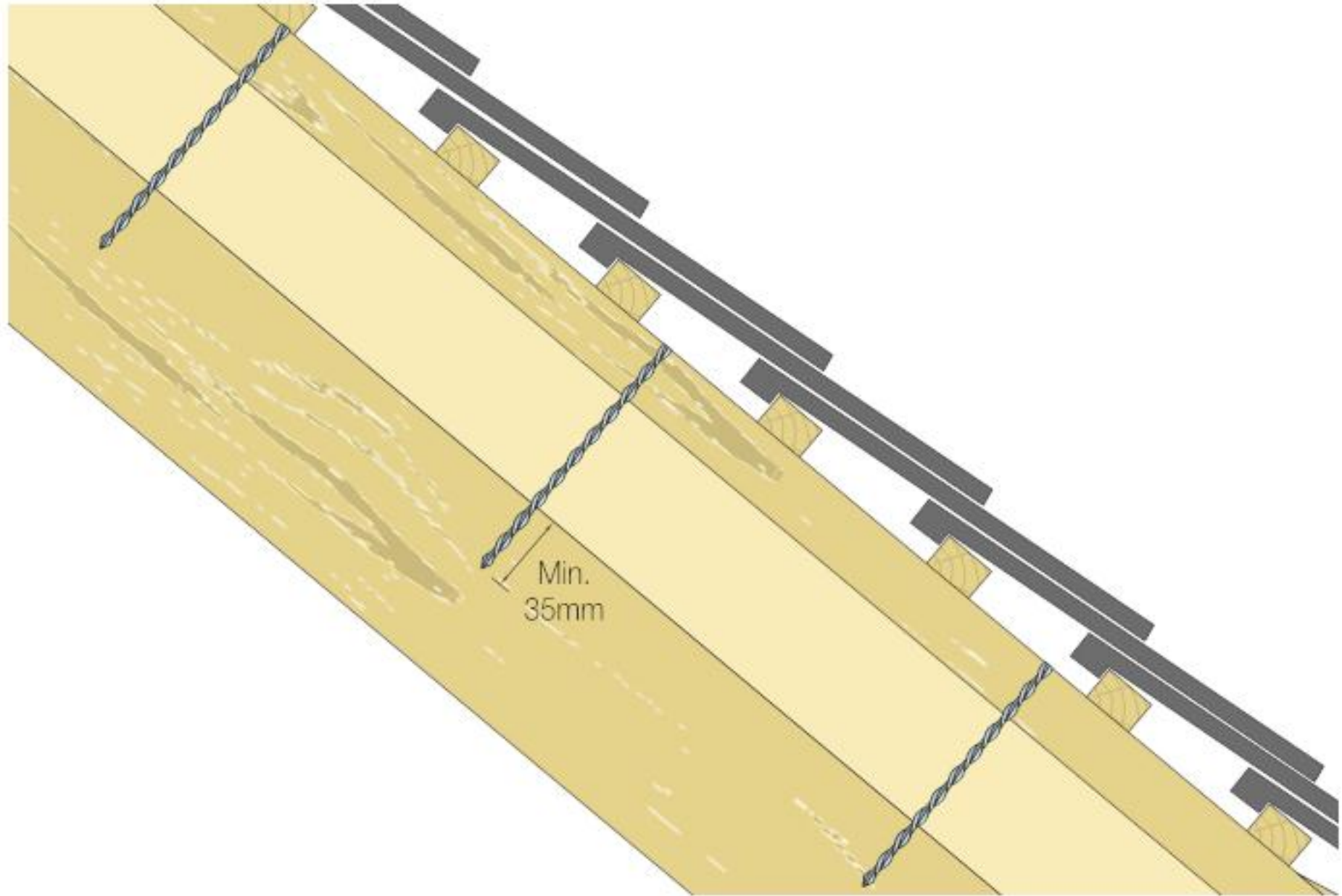
THORHELICAL[®]

From

Ancon[®]
BUILDING PRODUCTS

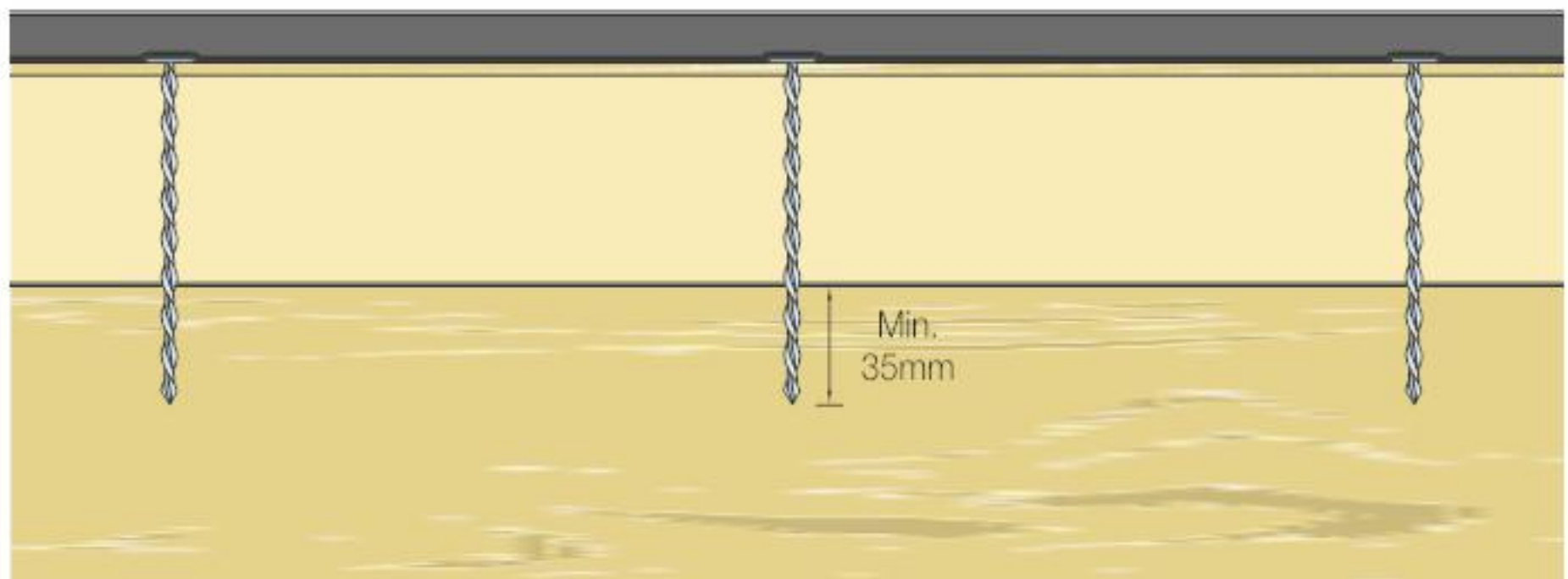
Warm Roof Construction

Pitched Roofs



Helical nails fix counterbattens to rafters, without compressing the layer of insulation in-between.

Flat Roofs



Headed helical nails fix plywood/insulation composite roof panels to joists.

Product Range

Helical nails are a quick and reliable fixing for use in warm roof applications. Unlike traditional nails, they rotate as they are driven in, inducing a self-tapping action and consequently do not split or bounce timbers.

Super-7™ Alignment Tool for Pitched Roofs



Patent pending

Super-7™ Thor-Helical Nail for Pitched Roofs

Stocked Lengths:

140, 150, 160, 165, 175, 185mm

Note: Other lengths are available in increments of 5mm

See pages 4-5 for more details



European Patent No. 1307303

Super-8 Headed Helical Nail for Flat Roofs

Standard Lengths:

135, 165, 195mm

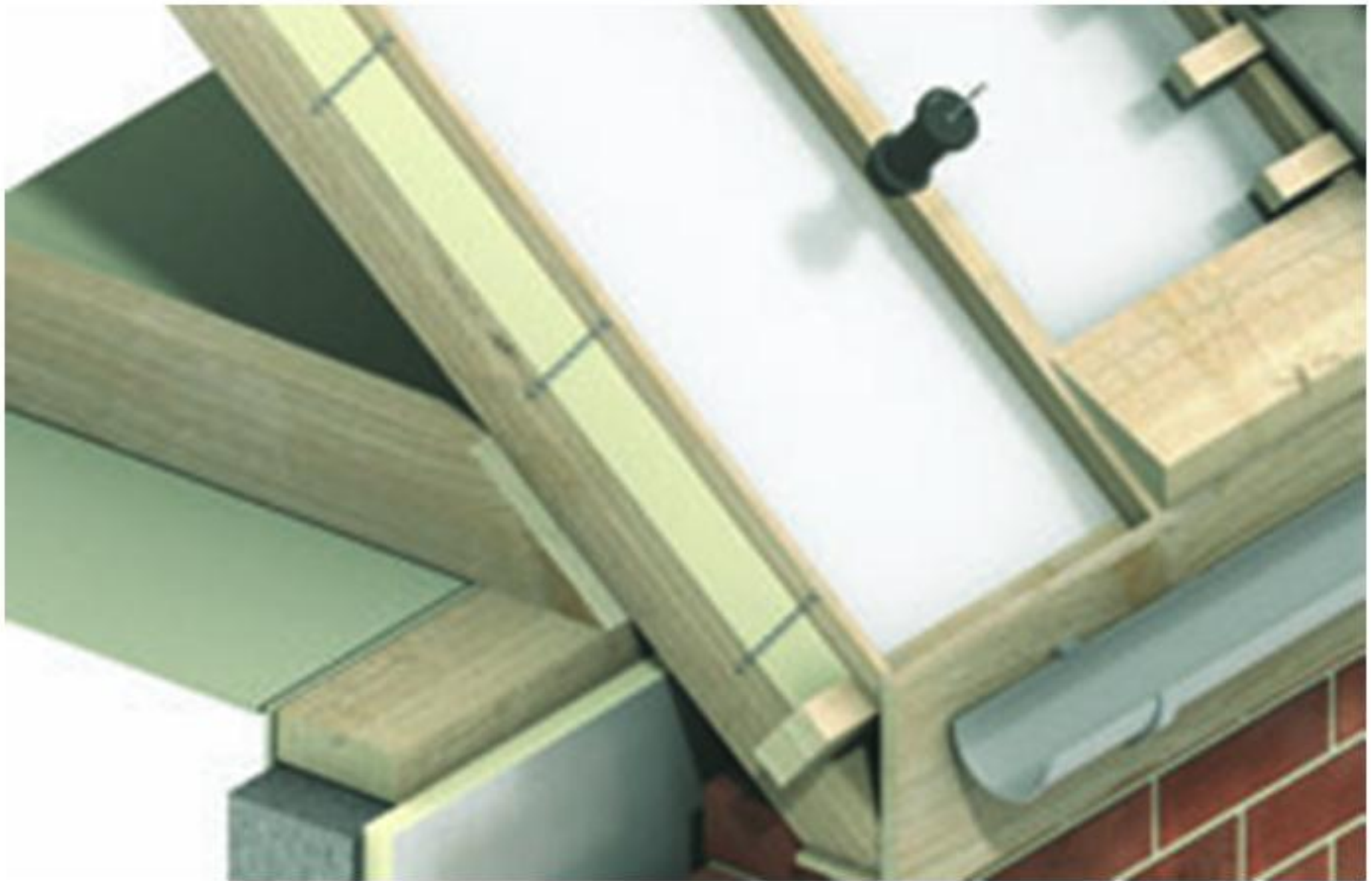
Note: Other lengths are available on request

See pages 6-7 for more details.



Staijfix®

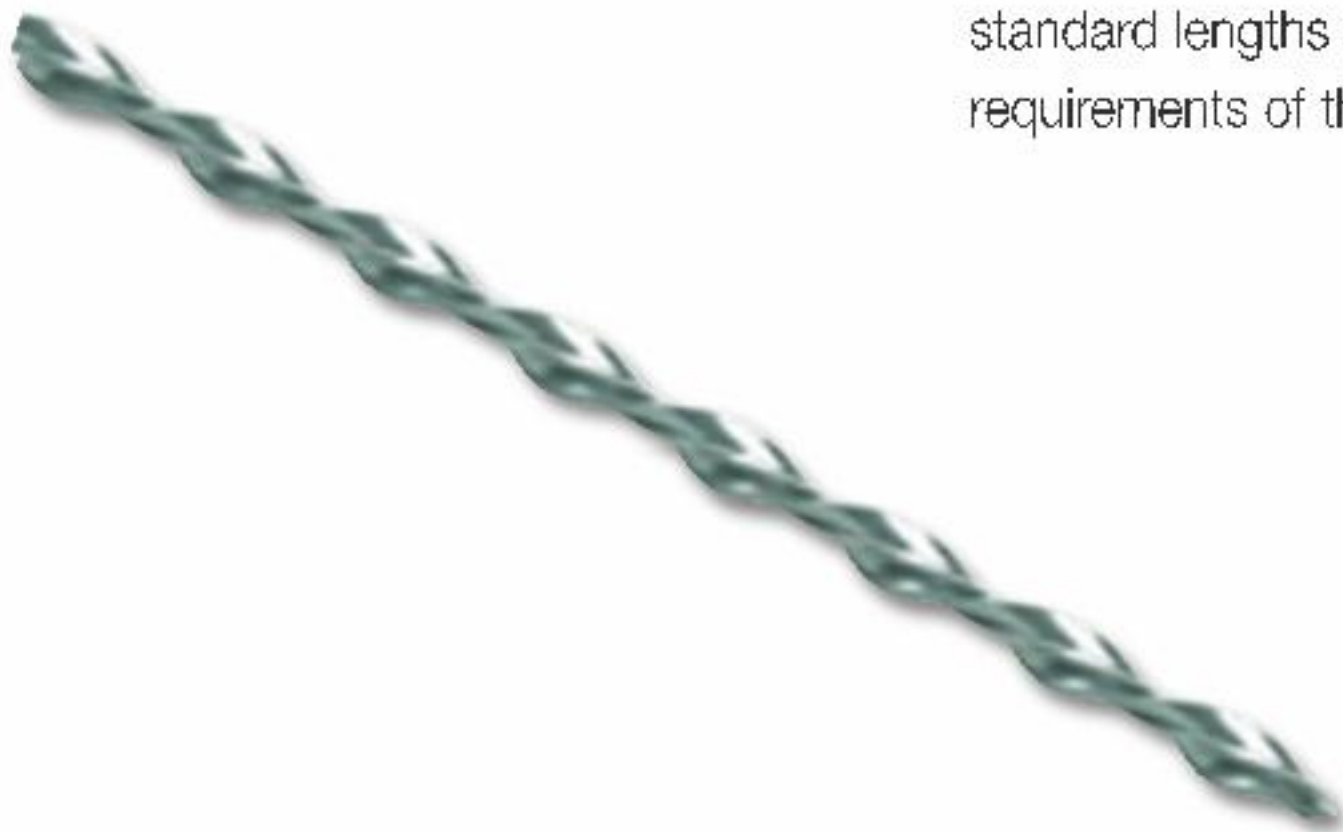
Helical Nails for Pitched Roofs



European Patent No. 1307303

Super-7™ Thor-Helical Nails

Super-7™ nails install flush to the counterbatten. They are manufactured from stainless steel and are engineered with the precise Thor-Helical patented helix, and so provide maximum corrosion resistance and excellent holding power. They are stocked in six standard lengths and meet the technical requirements of the NHBC.



Nail Lengths

Stocked Lengths (mm)
140, 150, 160, 165, 175, 185

Note: Other lengths are available in increments of 5mm

Pack Sizes

Nail Length	Quantity per Box
160mm and under	400
165mm and above	200

Recommended Nail Length and Fixing Centres

This information should be calculated using HeliCalc, a free web-based program available at www.helicalc.co.uk. Users simply input details of their site location and roof construction, and HeliCalc calculates the length, density and quantity of Super-7™ nails required for the project. Alternatively, contact Ancon with your project details.

Note: HeliCalc results are specific to Super-7™ Thor-Helical nails. The data is calculated using a design method, formulated by Ancon Ltd and independently approved by the Building Research Establishment, which is applied to the results of a comprehensive and independent test programme carried out by CERAM Building Technology. Wind load calculations are to BS6399: Part 2: 1997. Snow load calculations are to BS6399: Part 3: 1988. Partial safety factors are from National Annexes to Eurocodes 0 and 5 and are applied in respect of timber connections, dead loads, wind loads and snow loads.

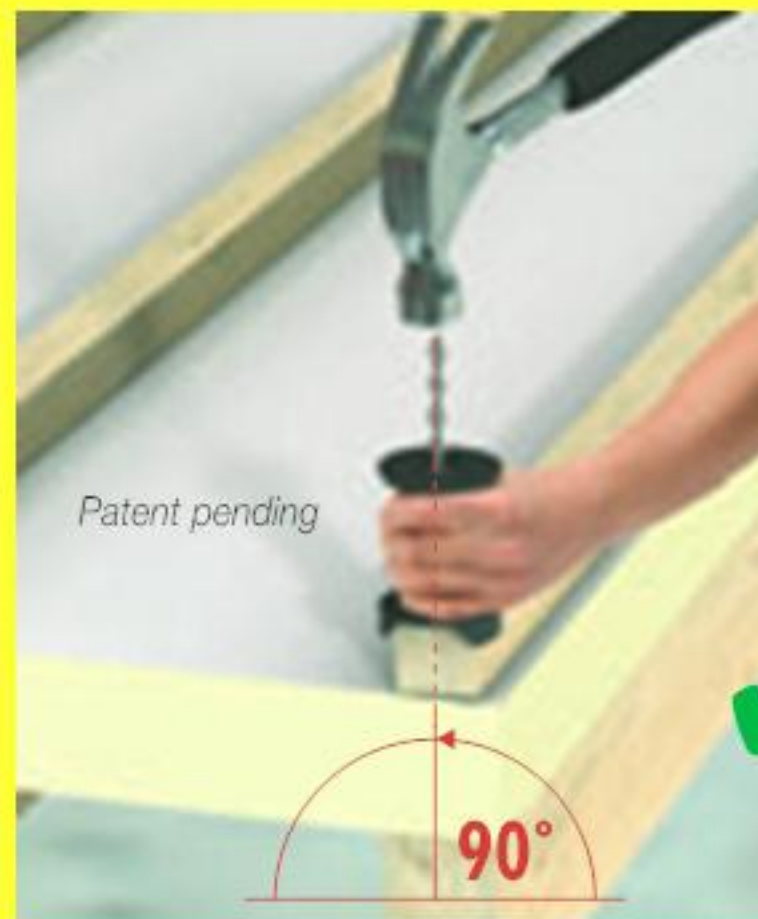
Test Results

Test data is available on request.

Super-7™ Alignment Tool

This innovative Alignment Tool vertically aligns and centres a nail on the counterbatten to rafter arrangement, improving build quality.

The tool features a levelling indicator to identify a vertical plane.



Two widths to accommodate 38mm and 50mm counterbattens



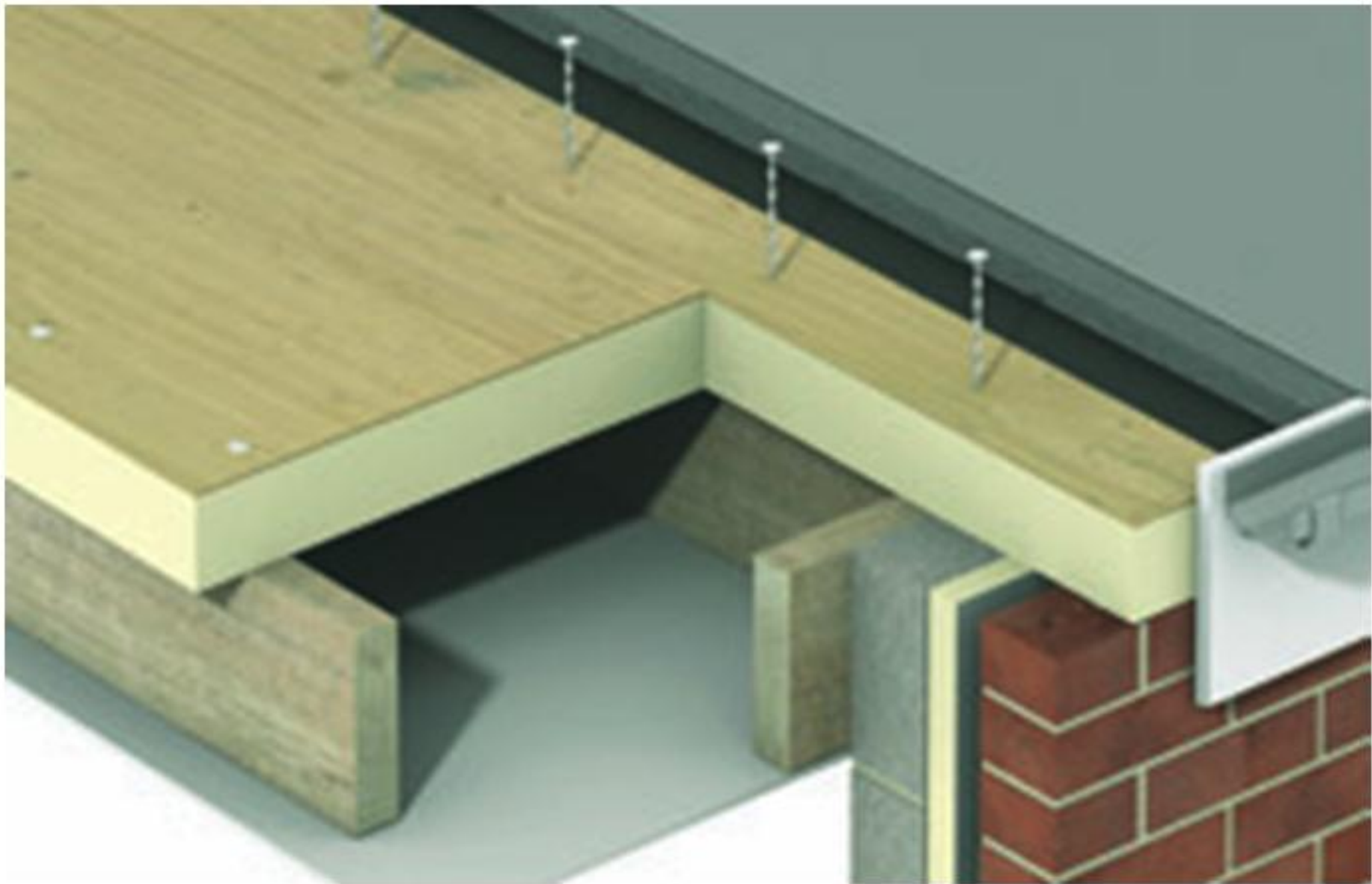
Top, with level to ensure correct angle of entry

Eyelet to allow tool to be secured to person/structure

Super-7s can be hammered in or power-driven. SDS drill attachments are available.



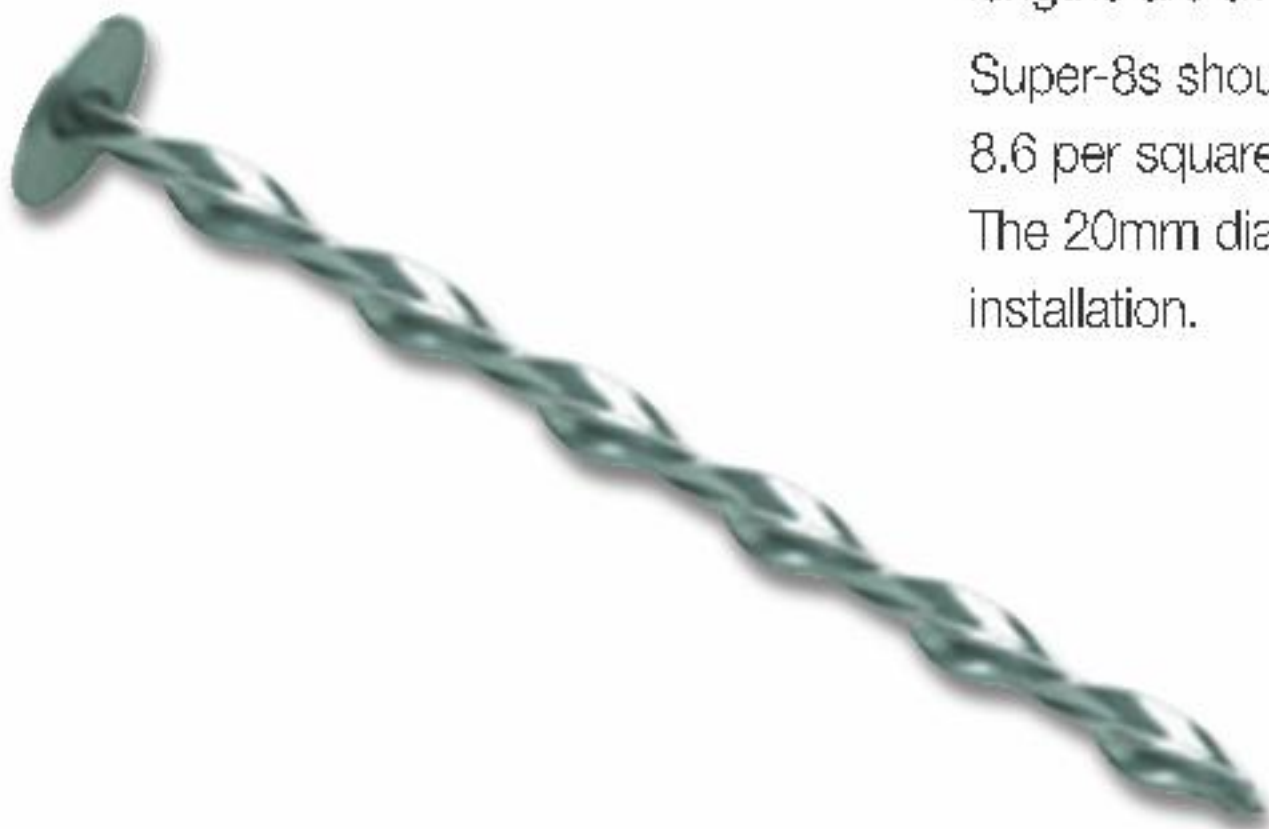
Helical Nails for Flat Roofs



Super-8 Headed Helical Nails

Headed helical nails are designed to secure plywood/insulation composite roof decks to timber joists. They are manufactured from zinc coated steel in three standard lengths which suit panel depths from 70mm to 156mm. Other lengths are available on request.

Super-8s should be installed at a rate of 8.6 per square metre, using a hammer. The 20mm diameter head simplifies installation.



Nail Lengths and Pack Sizes

Standard Lengths (mm)	Quantity per Bag	Quantity per Box
135	25	500
165	25	500
195	25	300

Note: Other lengths are available on request

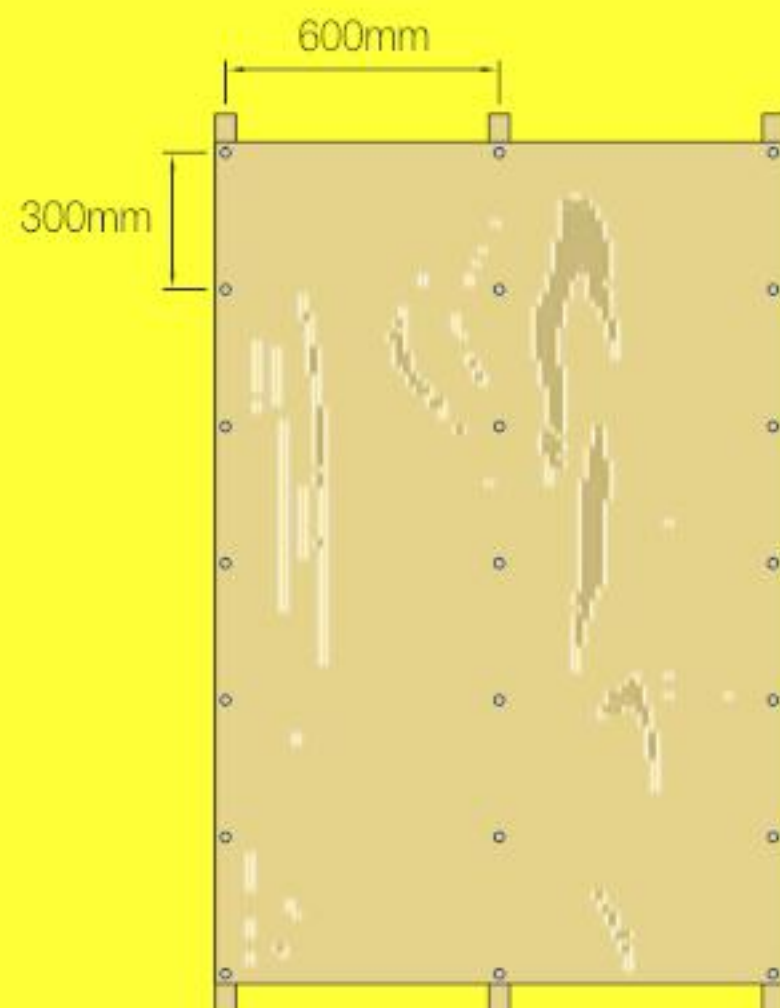
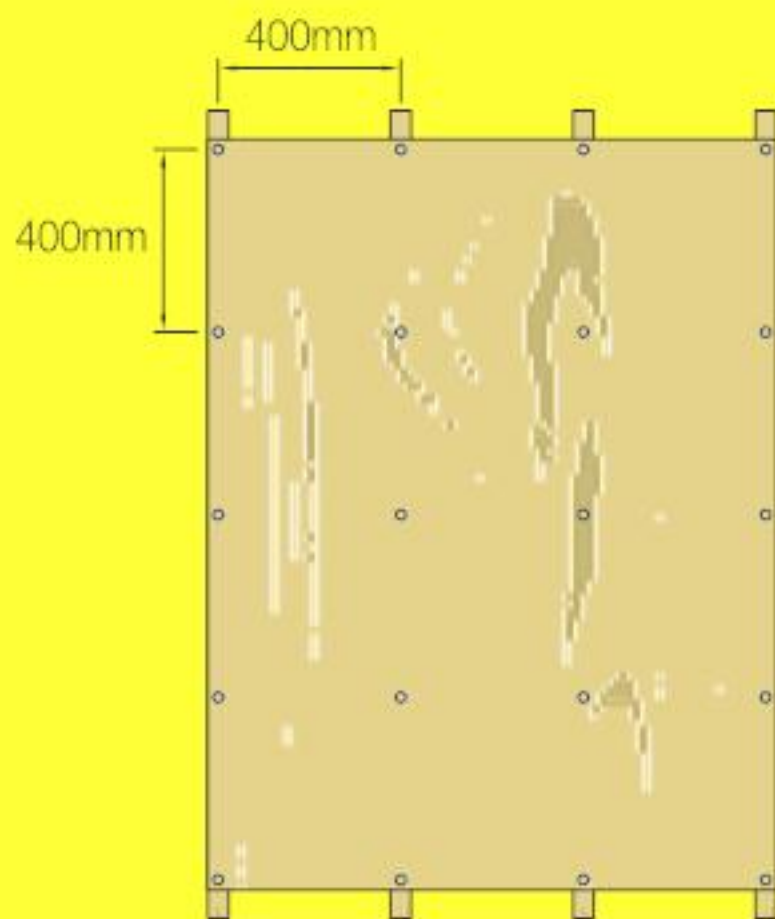
Recommended Lengths

Composite Panel Depth	Recommended Nail Length
70-96mm	135mm
96-126mm	165mm
126-156mm	195mm

Super-8 nails should achieve a minimum embedment of 35mm in the joist.

Recommended Axial Spacings

Joist Centres	400mm	600mm
Axial Spacings	400mm x 400mm	600mm x 300mm



Test Results

Test data is available on request.

Ancon will advise on the correct selection of fixing to suit any project and provide details of your nearest stockist.

Tel: 0114 238 1 238

International Tel: +44 114 238 1 238

Visit: www.ancon.co.uk

Your local stockist is:

Ancon[®]
BUILDING PRODUCTS

Ancon Building Products

President Way, President Park, Sheffield S4 7UR

Tel: +44 (0) 114 238 1238

Fax: +44 (0) 114 276 8543

Email: info@ancon.co.uk

Visit: www.ancon.co.uk

© Ancon Building Products 2008



The construction applications and details provided in this literature are indicative only. In every case, project working details should be entrusted to appropriately qualified and experienced persons.

Whilst every care has been exercised in the preparation of this document to ensure that any advice, recommendations or information is accurate, no liability or responsibility of any kind is accepted in respect of Ancon Building Products.

With a policy of continuous product development Ancon Building Products reserves the right to modify product design and specification without due notice.

This brochure is printed on paper produced from 80% recycled post-consumer fibre and 20% virgin pulp which is sourced from responsibly managed and sustainable forests (FSC certified). The printing inks and sealant are vegetable-based making the document fully recyclable.



80% recycled
This literature is printed on 80% recycled paper



ISO 9001: 2000
FM 12226



ISO 14001: 2004
EMS 505377