



META-SLATE ROOFING SYSTEM

Manufacturers of Cladding Products for the Construction Industry

SLATE EFFECT ROOFING SHEET



META-SLATE ROOFING SYSTEM

Meta-Slate has been designed and developed by Steadmans to provide a roofing sheet that has the appearance of natural slate but embodies the advantages of a modern lightweight but strong building material. Meta-Slate is extremely easy to fit and boasts a beautifully simple secret fix joint system. Because of the lightweight nature of the system (6 kg/m²) less sub structure is required when compared to a traditional slate roof and supports can be up to 1 metre apart.

Meta-Slate is manufactured from 0.7mm galvanised coil with a slate blue matt nova paint finish to the outer surface and a grey epoxy based primer to the inside. The sheet is specially embossed with a regular slate pattern and finished to appear like natural slate. Other external colours and finishes are available by special order subject to quantity and coil availability. Meta-Slate is ideal for use in environmentally sensitive locations where box profile sheeting may not be acceptable to local authority planning departments.

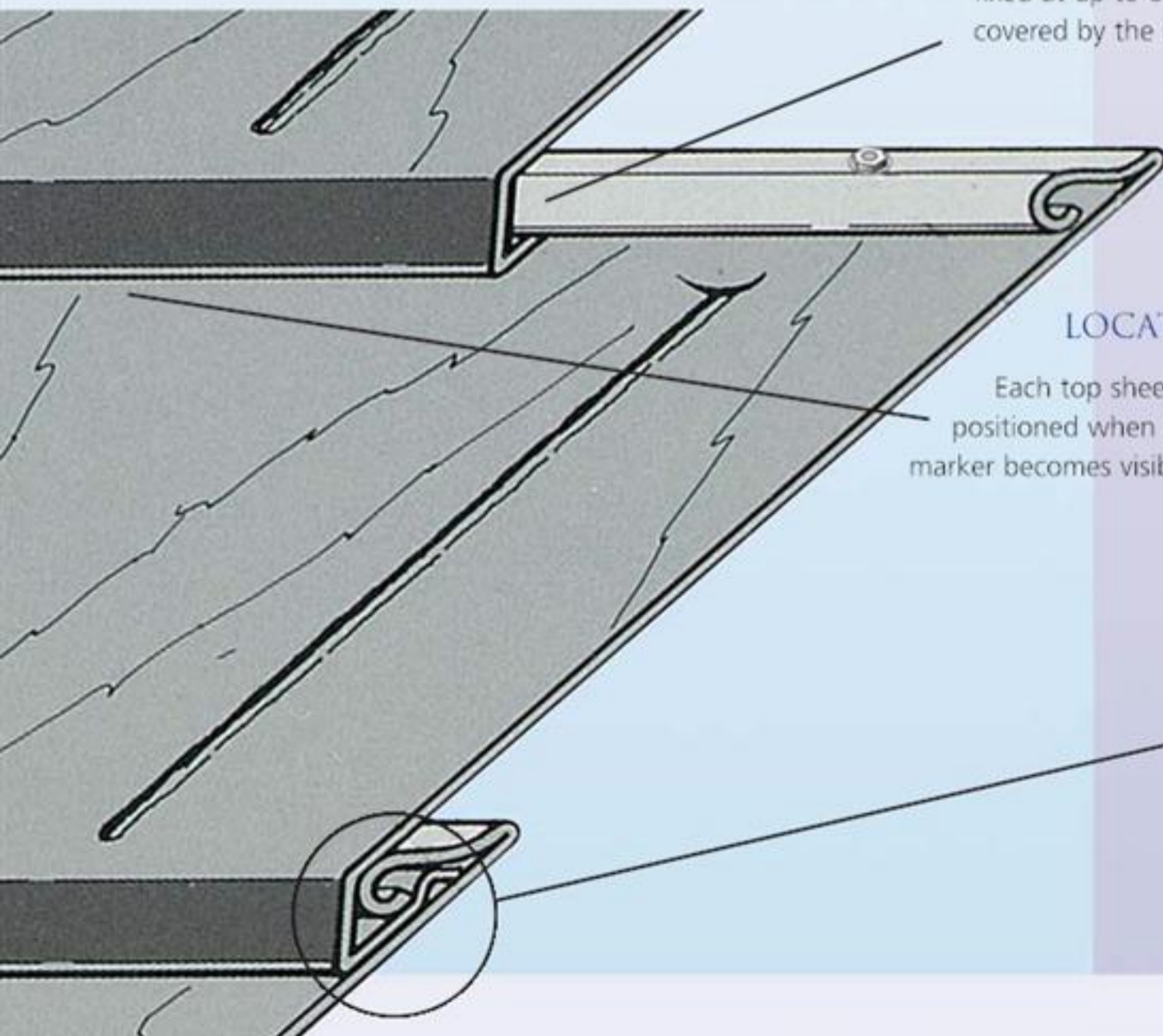
Meta-Slate sheets are available up to 6 metres long and a full range of accessories is available including starter clips, joint pieces, ridge, hip and barge flashings, end closures, sealants and fixings. The use of joint plates combined with the regular slate pattern of the Meta-Slate sheet allows for economic use of the material thus providing a very cost effective system.

- A natural looking slate effect roofing sheet
- Simple and fast to install
- Provides a strong and secure roof
- Full range of accessories
- Suitable for roof pitches of 15° and above



SECRET FIXING

No special fixings are required, but care must be taken not to compress the scroll. Each length is fixed at up to 800mm centres and is covered by the length above it.



LOCATION MARKER

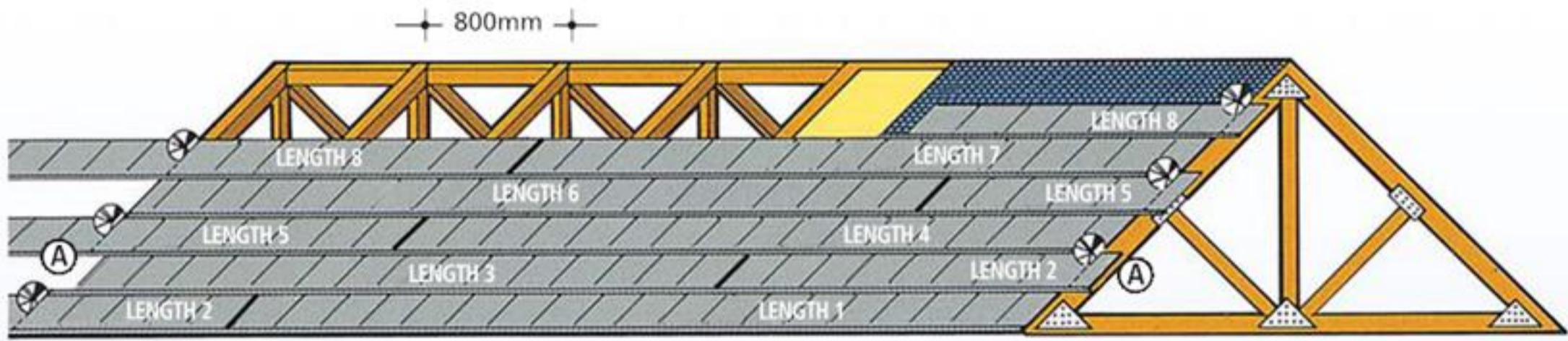
Each top sheet is correctly positioned when the location marker becomes visible



STEADFAST LOCKING SYSTEM

Steadmans unique Lap Locking System. Once locked into position, this ingenious design provides a weather tight joint whilst also allowing repositioning.

LAYING PROCEDURE



Meta-Slate is available in standard lengths. Using a combination of these, together with the joining plate it is possible to clad any length and shape of roof. The joining of two lengths does not have to coincide with a truss/rafter as the joined lengths form an extremely rigid joint.

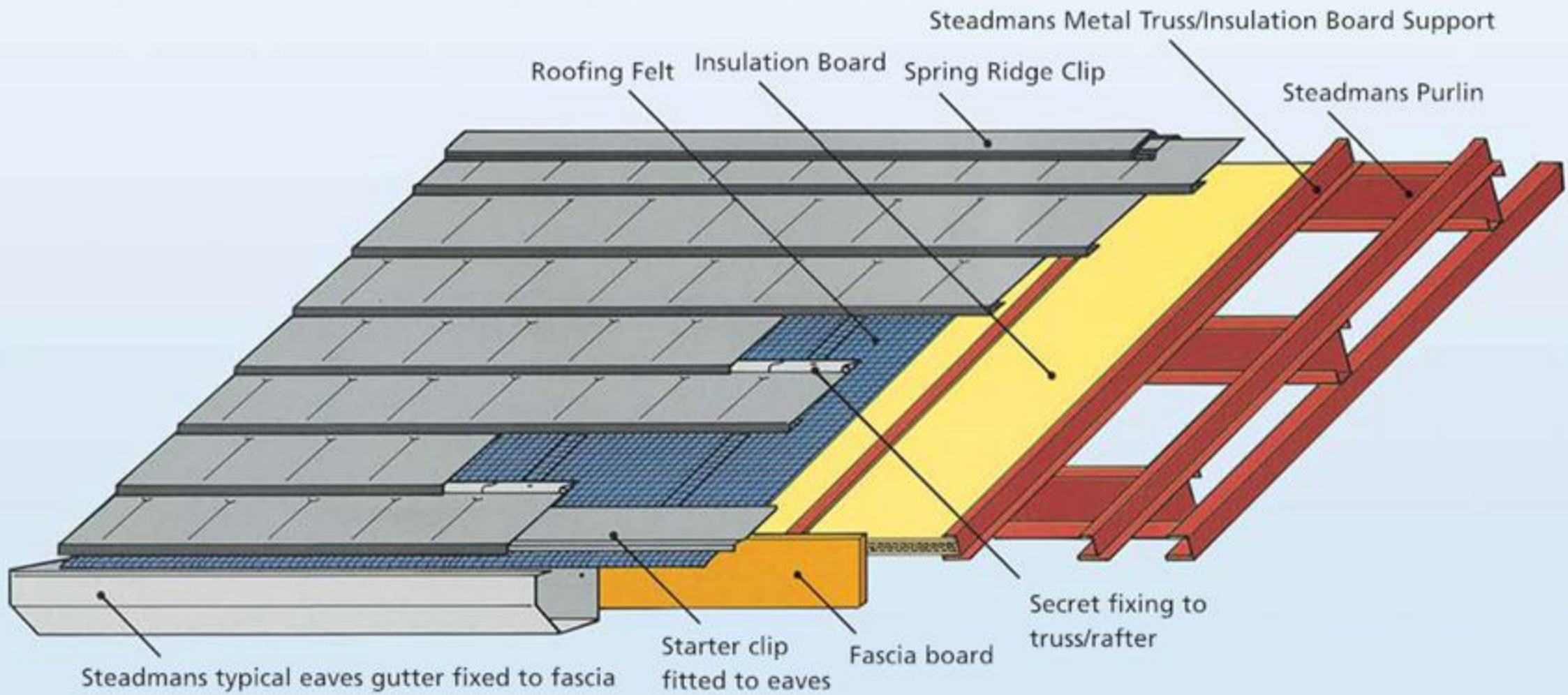
Meta-Slate roofing sheets can be fixed to either timber trusses, traditional rafters or metal purlins. The distance between each fixing point should not exceed 800mm. Steadmans always recommend the use of a breathable moisture control layer.

The lengths of Meta-Slate are easily cut using a standard power circular saw, jigsaw or hacksaw.

In order to achieve a 'tile hung' effect across the roof, the 'tile' pattern has to be staggered to its neighbour.

For instance, in this example, length 2 has been cut athalf a 'tile' pattern (marked A). The off-cut has been re-positioned at the other side of the roof to make up the 'tile hung' effect, and so on up to the depth of the roof as illustrated.

For further information please contact our technical department.



FIXING PROCEDURE

After the insulation board and roofing felt are in place, the Starter Clip lengths are fixed to the truss/rafter at the eaves. The first length of Meta-Slate is then locked into the Starter Clip and secretly fixed onto the truss/rafter. When the first length is completed, the second length is locked in to position utilising the unique Steadfast Locking System (see over). Adopting the Recommended Laying procedure as above, the roof is completed and capped with the Spring Ridge Clip.

ACCESSORIES

The system is complemented by a full range of accessories.

LOAD TABLES

Gauge: .7mm
 Cover Width: 300mm
 Substrate: Hot dipped galv. to BS EN 10143:2006

SPAN CONDITION	DEFLECTION LIMIT	RAFTER SPACINGS					
		600	750	900	1000	1100	1200
L L L ↑ ↑ ↑ ↑ CONTINUOUS	L .150	2.44	1.98	1.82	1.53	1.41	0.94
L L L ↑ ↑ ↑ ↑ CONTINUOUS	L .250	1.85	1.56	1.33	1.18	0.99	0.67

META-SLATE ROOFING SYSTEM



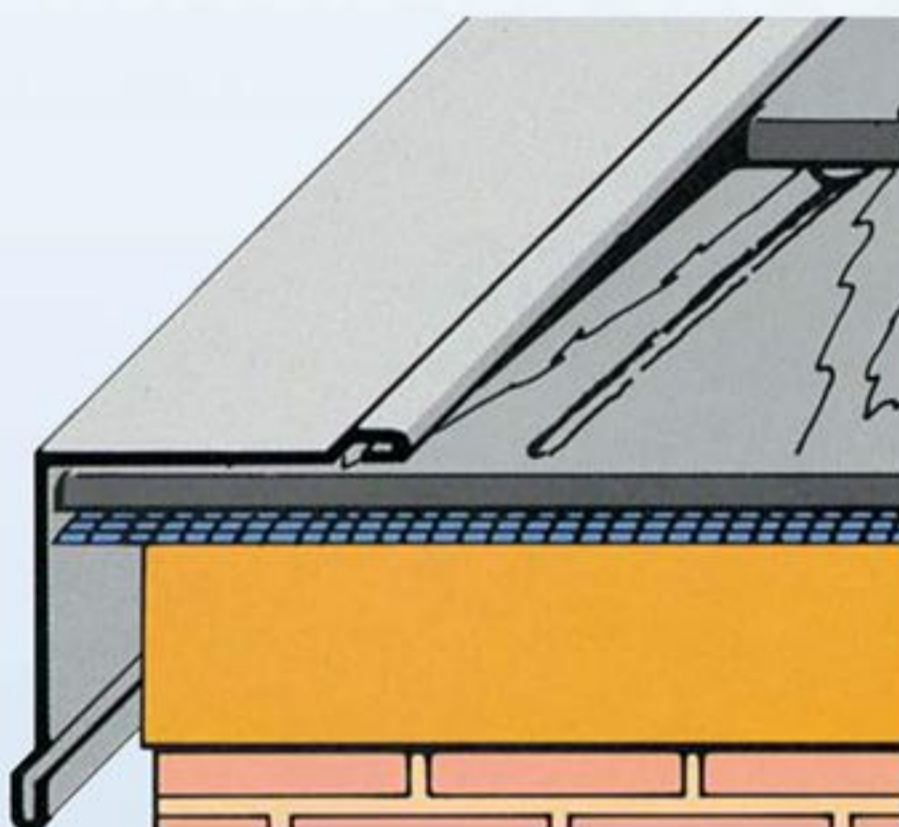
STARTER CLIP

The Starter Clip is designed to accept the first length of Meta-Slate at the eaves.

The Meta-Slate is locked onto the Starter Clip and secretly fixed to truss/rafter.

VAPOUR BARRIER

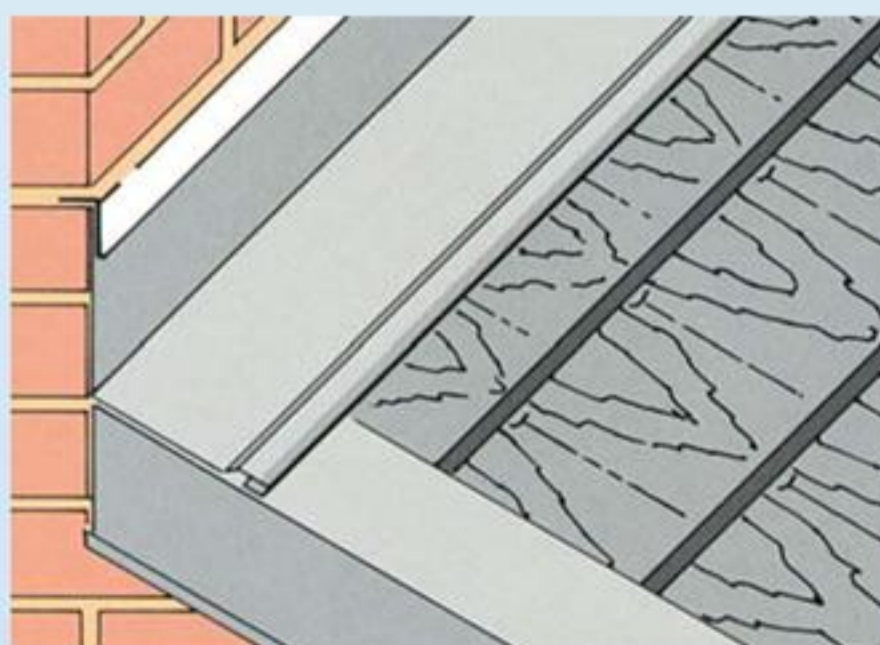
The use of a breathable moisture control layer is recommended.



BARGE FLASHING

Once the roof is completed, a Barge Flashing is positioned to seal off the gable end of the building.

The gaps created by the different angles of the Barge Flashing and the Meta-Slate are in-filled with expanding strip.

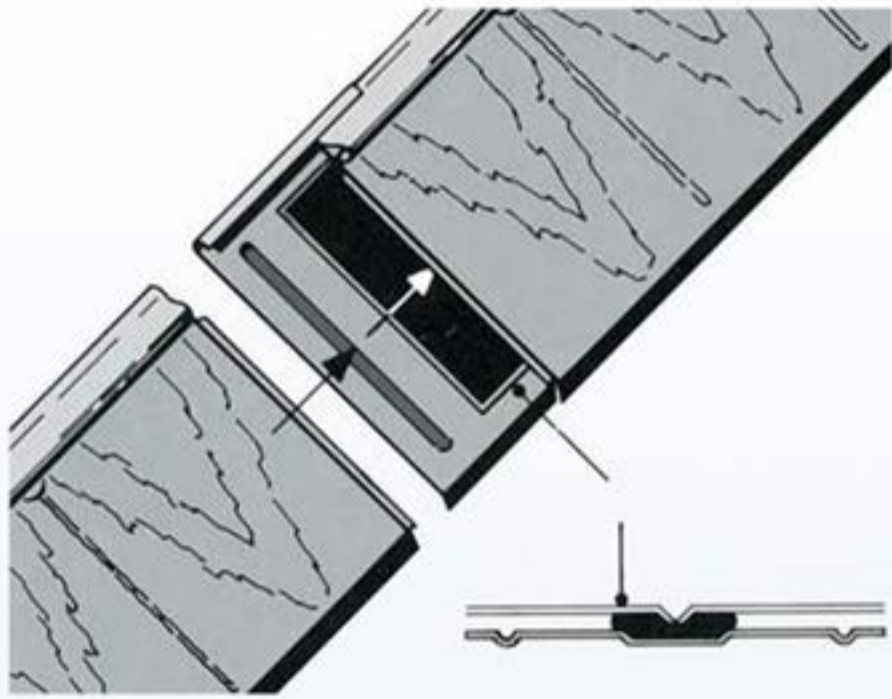


APRON FLASHING

A traditional solution to ensure a weather tight finish to a lean-to roof. The addition of a strip of lead flashing is recommended.

The angle of the apron can be set to suit clients' specifications.

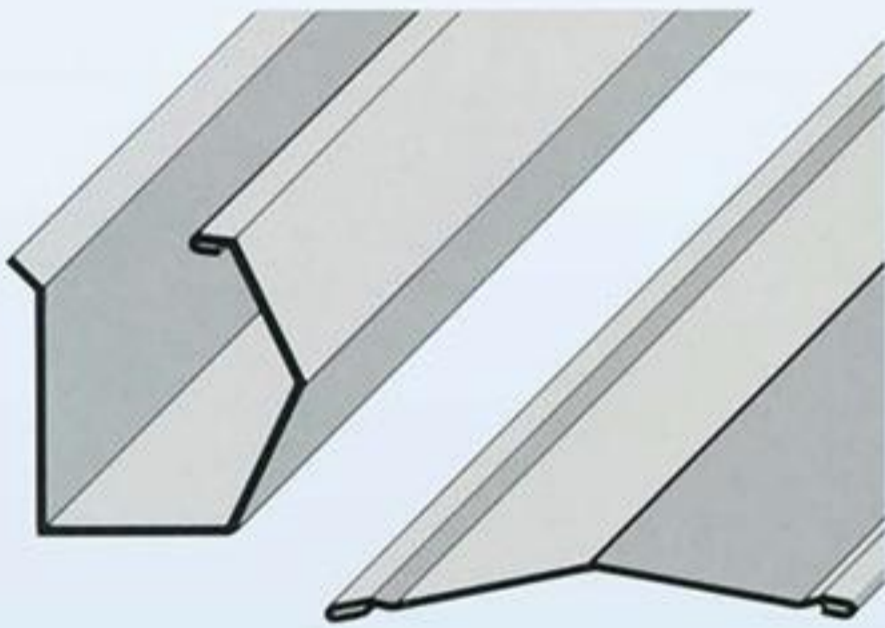
META-SLATE ROOFING SYSTEM



JOINING PLATE (WITH WEATHER SEALANT)

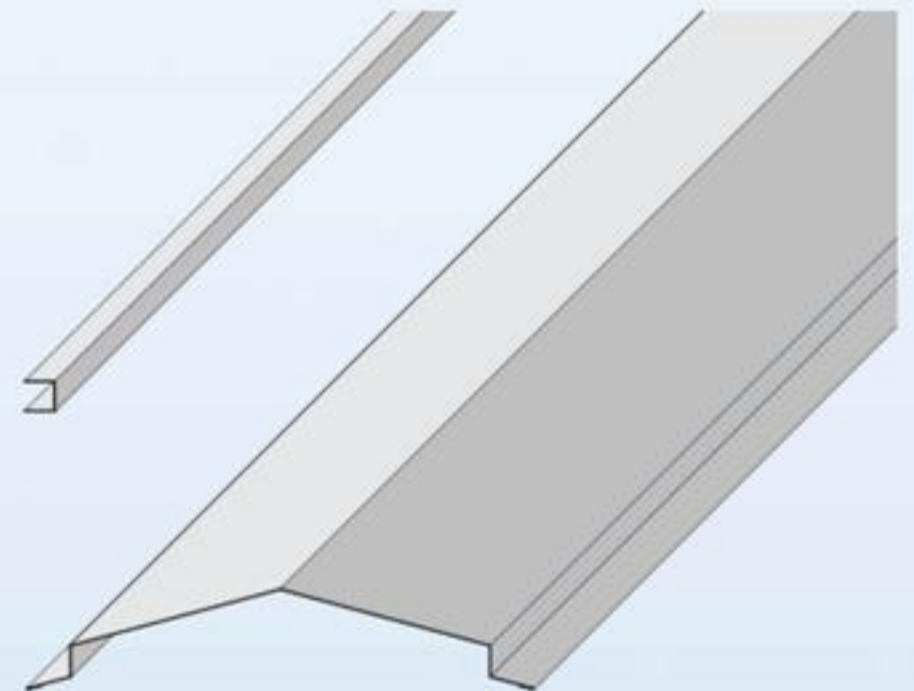
By sliding the Joining Plate under the end of a Meta-Slate length and joining another length to the plate as shown, an extremely rigid joint is achieved.

N.B. It is not necessary to make these joints at truss/rafter as the Joining Plate does not require fixing to the roof.



GUTTERS AND FLASHINGS

Various styles of guttering and flashing products are available to complement the Meta-Slate roofing system.



Sign of Quality

A. Steadman & Son

England & Wales

Warnell, Welton

Carlisle

Cumbria

CA5 7HH

Tel: 01697 478 277

Fax: 01697 478 530

Northern Ireland & Ireland

Unit 5, Scarva Road Ind. Est.

Banbridge, Co. Down

Northern Ireland

BT32 3QD

Tel: 02840 660 516

Fax: 02840 660 517

Scotland

New Edinburgh Road

View Park

Uddingston

G71 6LL

Tel: 01506 437 753

Fax: 01506 440 716

Mill of Crichtie

Fyvie, Turriff

Aberdeenshire

AB53 8QL

Tel: 01651 891 668

Fax: 01651 891 698

E-mail: info@steadmans.co.uk

Online: www.steadmans.co.uk

ENVIRONMENTAL CREDENTIALS

We recognise the need to manage the impact which our business and processes have on the environment.

We believe we have a responsibility to contribute to the well-being of the communities we live in.

We are committed to providing a clean, safe environment.

Developing sustainable construction methods presents a challenge to the whole construction industry.

Our main raw material, steel, is eminently recyclable: 85 - 90% of steel from demolition goes for re-use and 40% of steel used in new construction has been recycled.

By using modern machinery and upgrading our facilities we are continually reducing the impact of our products on the environment, and improving their contribution to the long-term performance of buildings.

www.steadmans.co.uk

