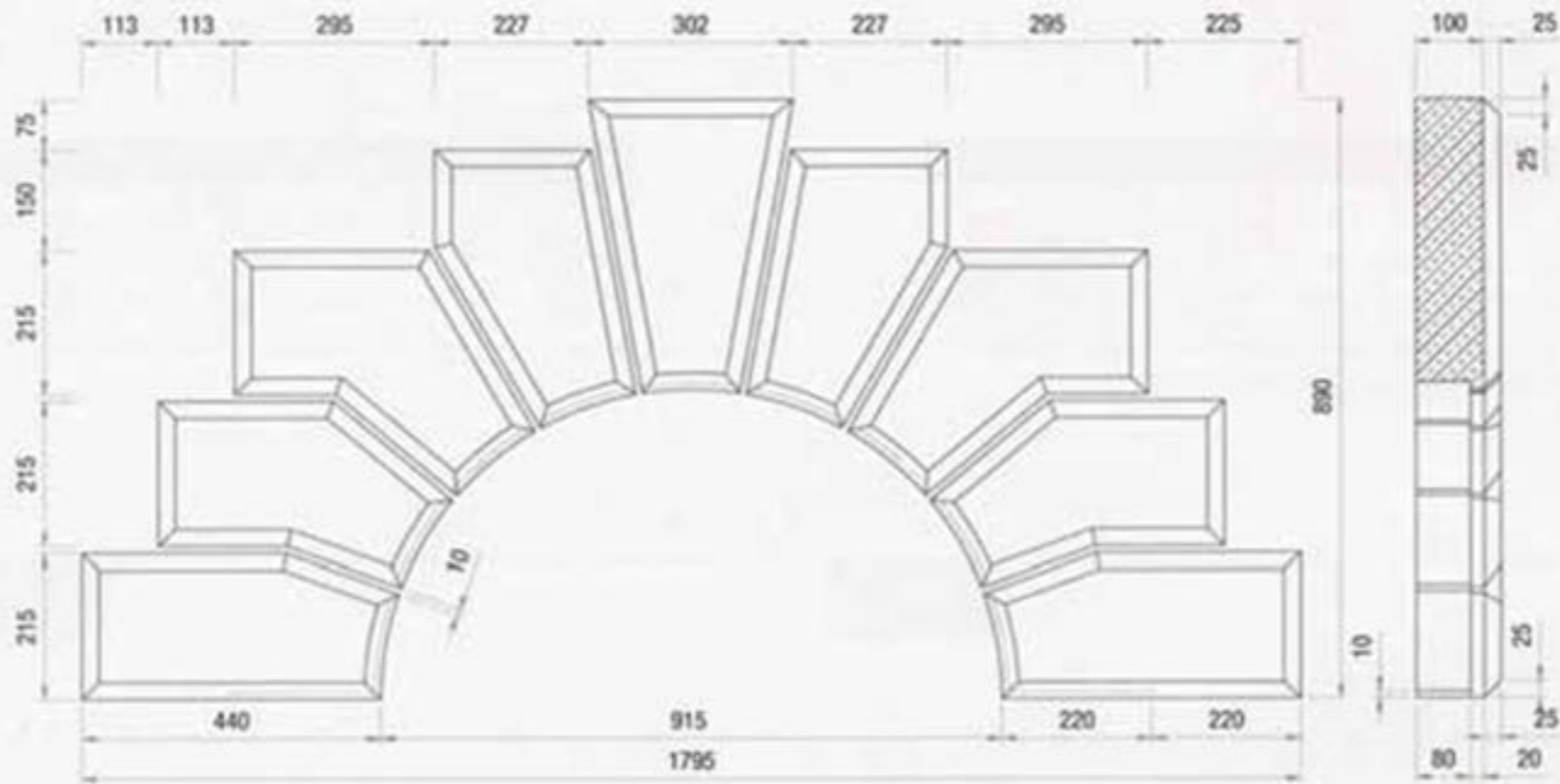




Archstones

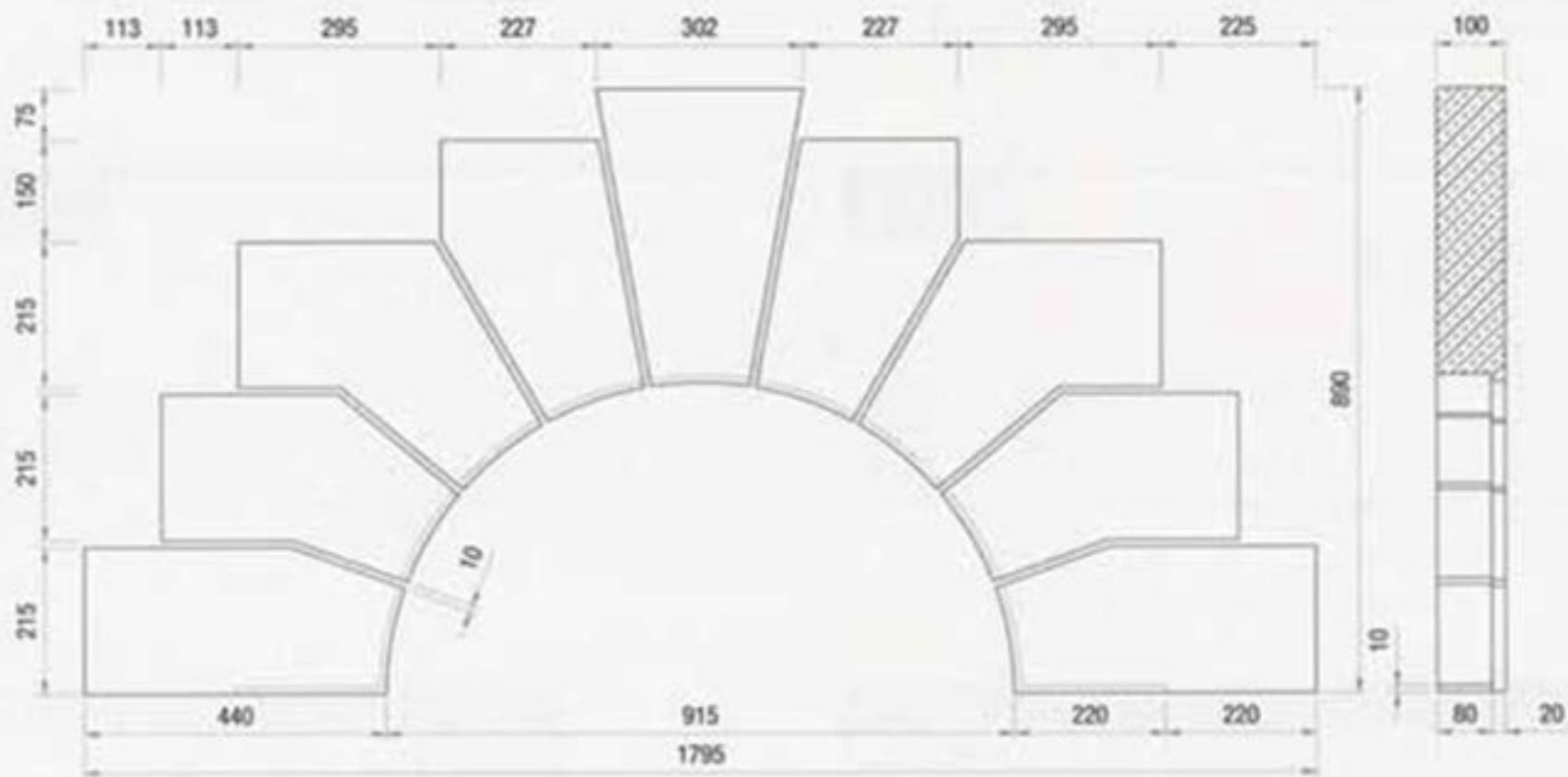
Voissior arches require either a support lintel under the soffit or a lintel above to carry the load. Temporary centring (support) will be required to construct the arch.

VA1



Total Weight: 200Kg

VA2



Total Weight: 170Kg

Archstones

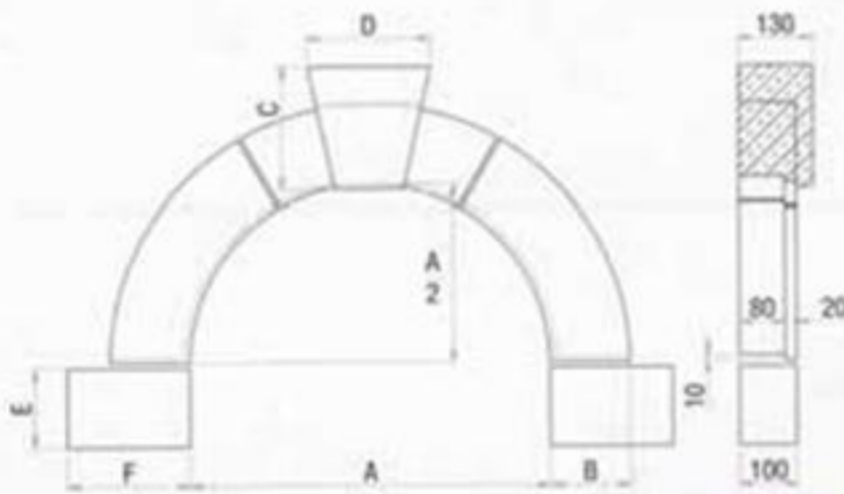


AH



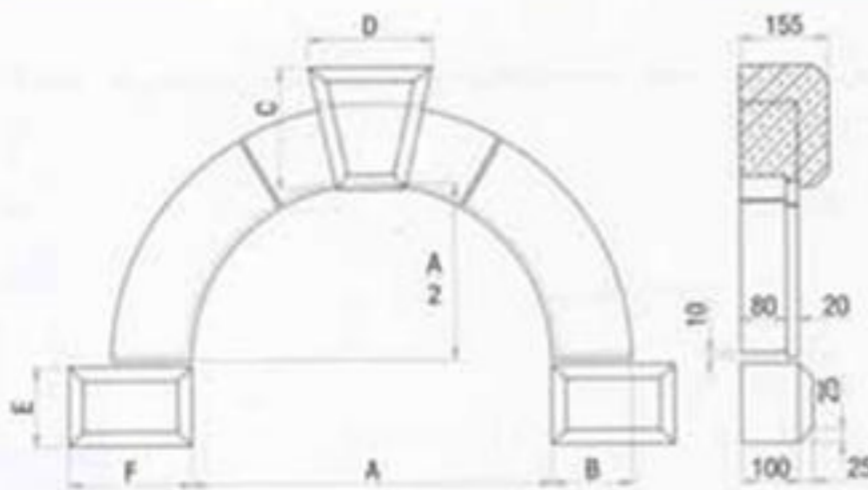
Code	A	B	Weight (kg)
AH1	630	140	36
AH2	630	215	61
AH3	915	140	50
AH4	915	215	81
AH5	1200	140	63
AH6	1200	215	102

AH



Kit Code	Archstone				Keystone			Kneeler				
	Code	A	B	Weight (kg)	Code	C	D	Weight (kg)	Code	E	F	Weight (kg)
AH7	AH1	630	140	36	H1CK	215	215	5	BK1	140	215	7
AH8	AH2	630	215	61	H3CK	290	300	10	PB1	215	440	20
AH9	AH3	915	140	50	H1CK	215	215	5	BK1	140	215	7
AH10	AH4	915	215	81	H3CK	290	300	10	PB1	215	440	20
AH11	AH5	1200	140	63	H1CK	215	215	5	BK1	140	215	7
AH12	AH6	1200	215	102	H3CK	290	300	10	PB1	215	440	20

AH



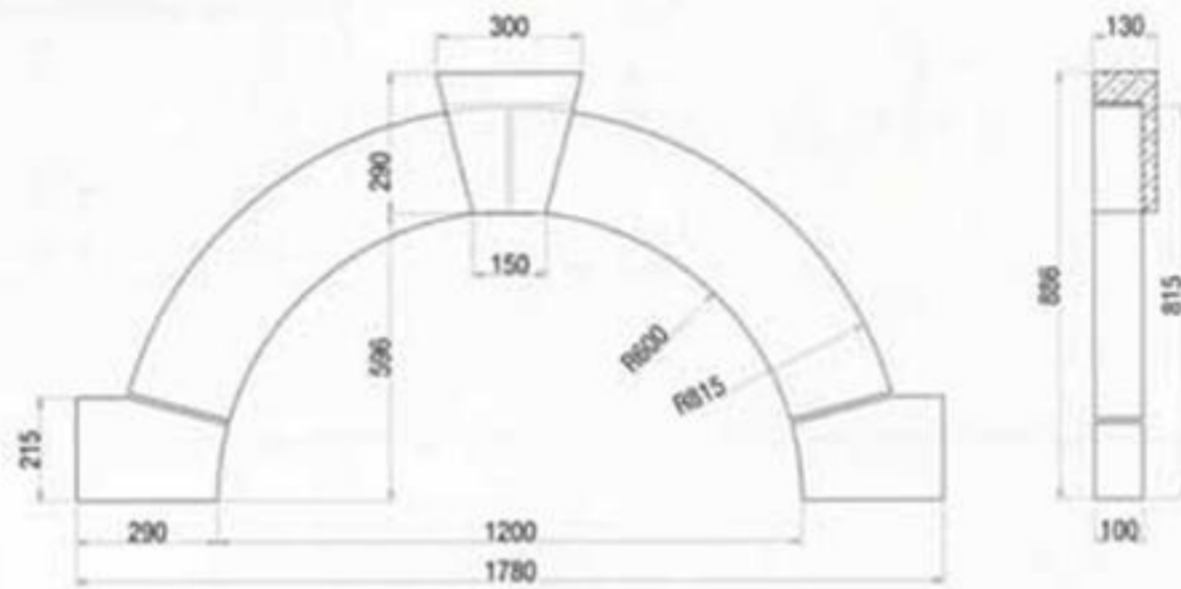
Kit Code	Archstone				Keystone			Kneeler				
	Code	A	B	Weight (kg)	Code	C	D	Weight (kg)	Code	E	F	Weight (kg)
AH13	AH1	630	140	36	CK1	215	215	7	CB7	140	215	8
AH14	AH2	630	215	61	CK3	290	300	12	CB5	215	440	25
AH15	AH3	915	140	50	CK1	215	215	7	CB7	140	215	8
AH16	AH4	915	215	81	CK3	290	300	12	CB5	215	440	25
AH17	AH5	1200	140	63	CK1	215	215	7	CB7	140	215	8
AH18	AH6	1200	215	102	CK3	290	300	12	CB5	215	440	25



Archstones

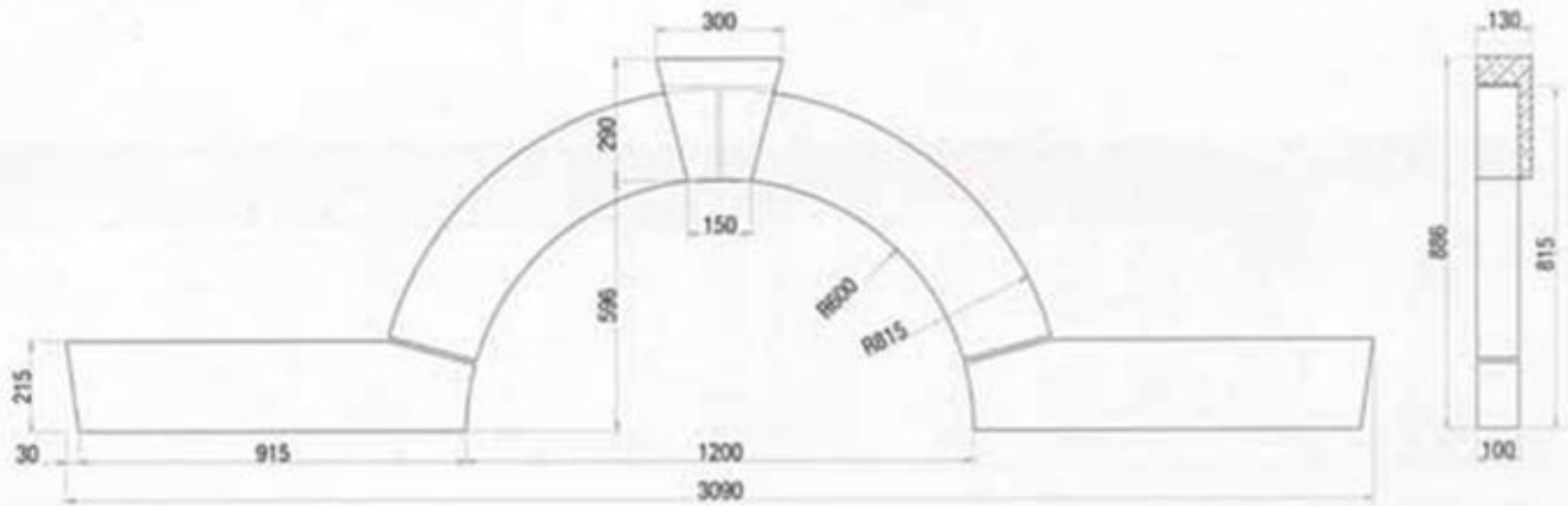
AH19, AH20 and AH21 use clip over keystones.

AH19



Total Weight: 117Kg

AH20



Total Weight: 175Kg

AH21



Total Weight: 158Kg

Keystones



Available in a range of sizes and finishes. All keystone sizes are available in a range of finishes. For more information, please contact us on 01432 353535 or visit our website at www.arabianconstruction.com

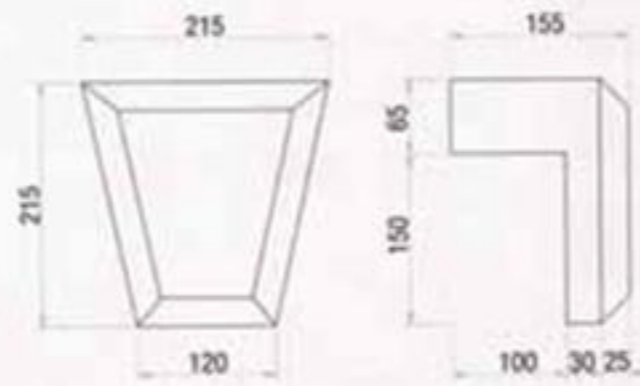


H1CK



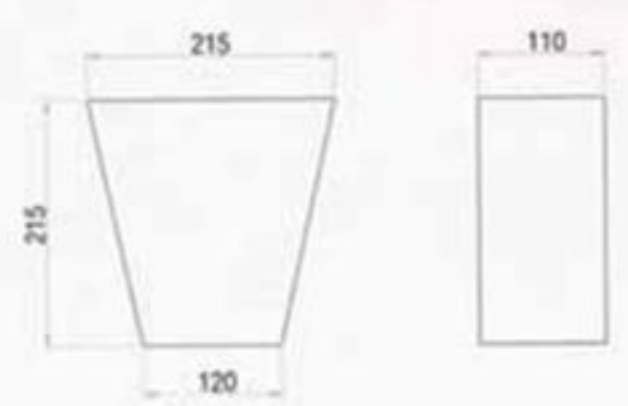
Weight: 5Kg

CK1



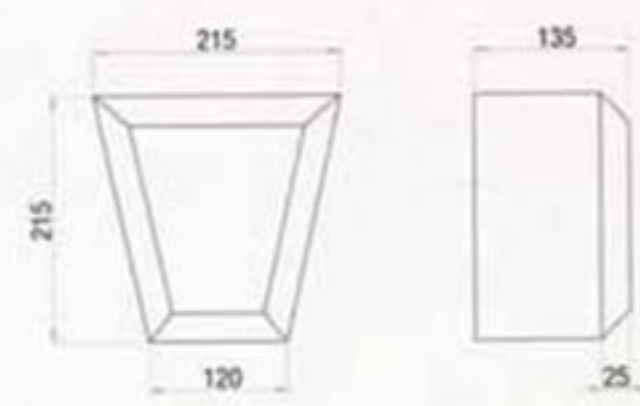
Weight: 6Kg

KS2



Weight: 10Kg

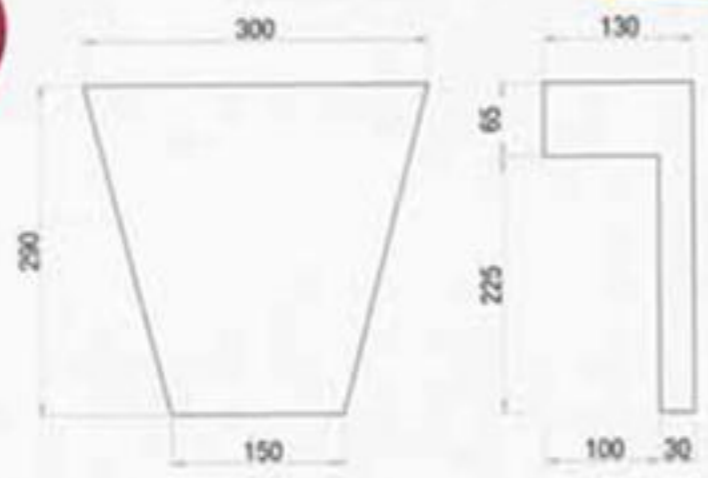
CK2



Weight: 11Kg

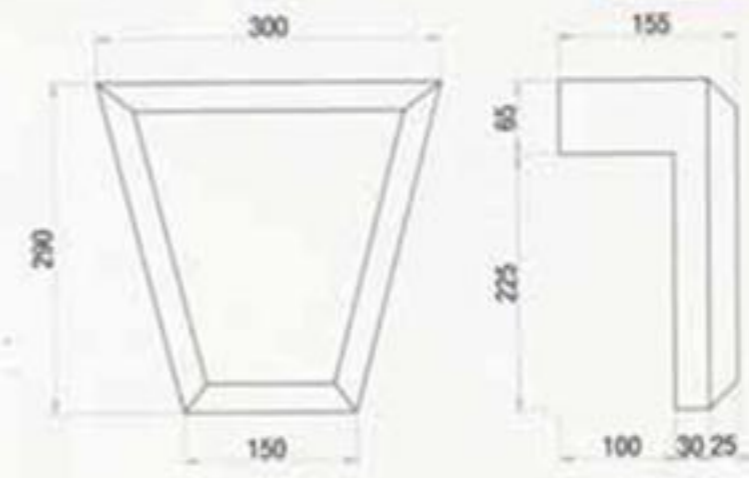


H3CK



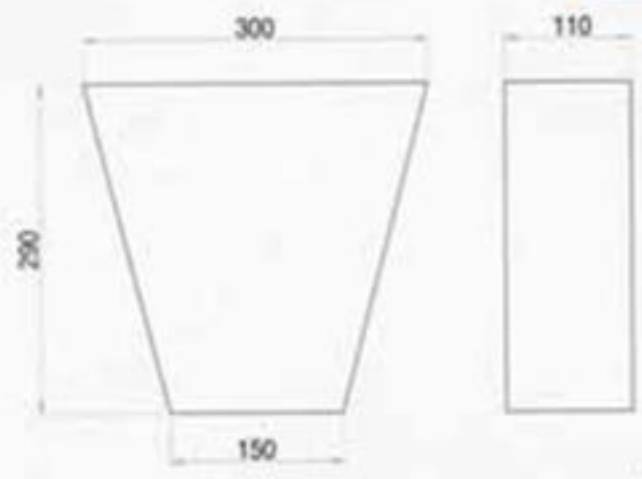
Weight: 8Kg

CK3



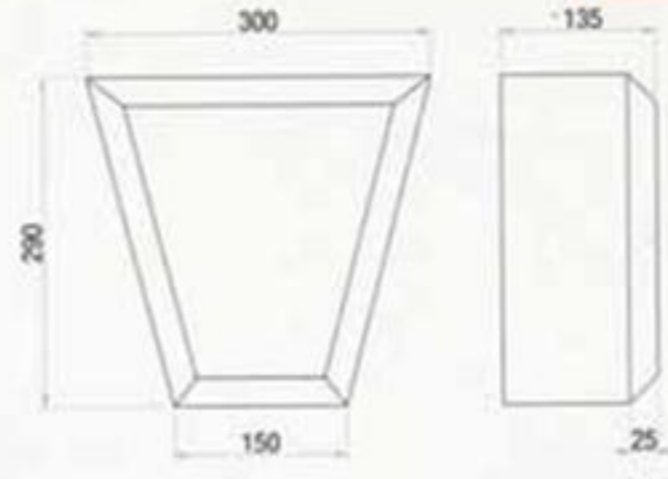
Weight: 11Kg

KS4



Weight: 18Kg

CK4



Weight: 21Kg



Label Moulds

Label mould kits are provided in all the profiles shown below. Please state dimensions A and B when ordering.

D90L

D90R

EUL

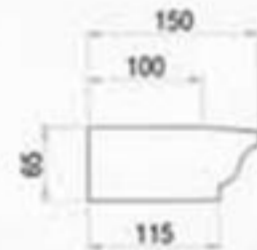
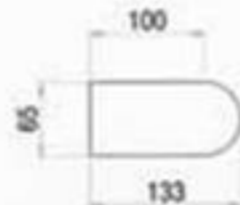
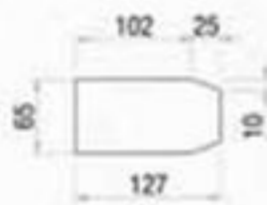
EUR



SCC

SCF

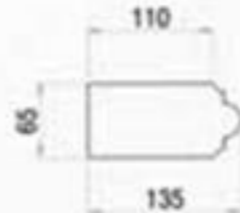
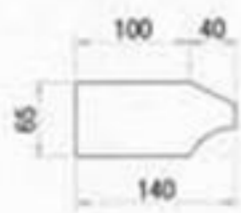
SCG



SCH

SCJ

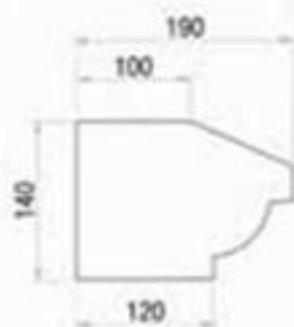
SCR



SCS

SCU

SCW

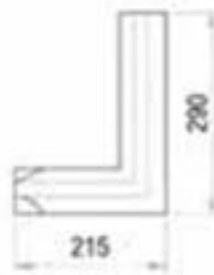


Label Moulds

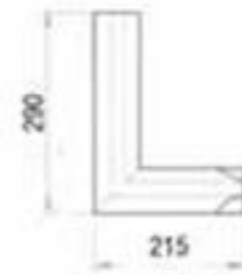


Left **EUL**

Right **EUR**



STOP END
LABEL RETURN
TO THE LEFT



STOP END
LABEL RETURN
TO THE RIGHT

Left **D90L**

Right **D90R**



DOWN 90° RETURN
TO THE LEFT



DOWN 90° RETURN
TO THE RIGHT

Door Surrounds



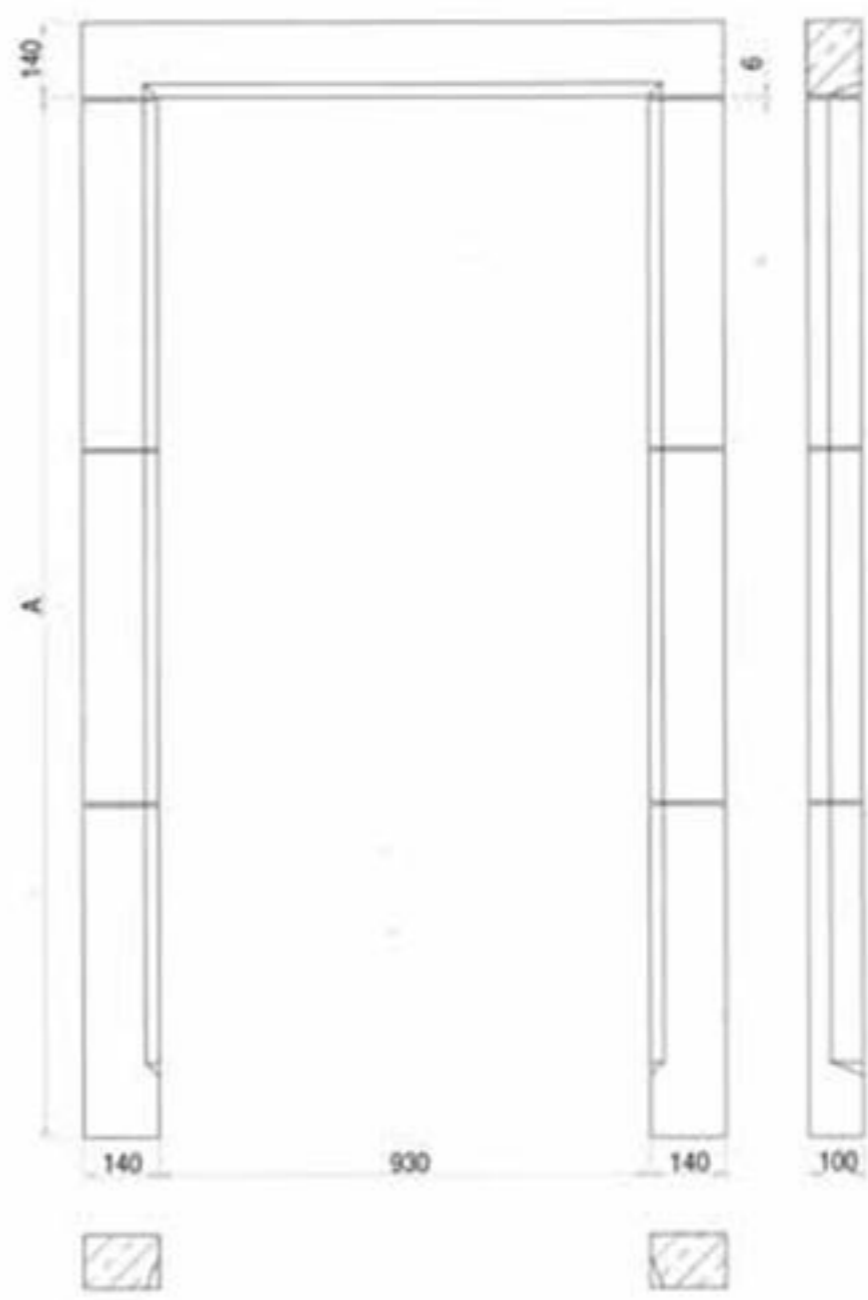
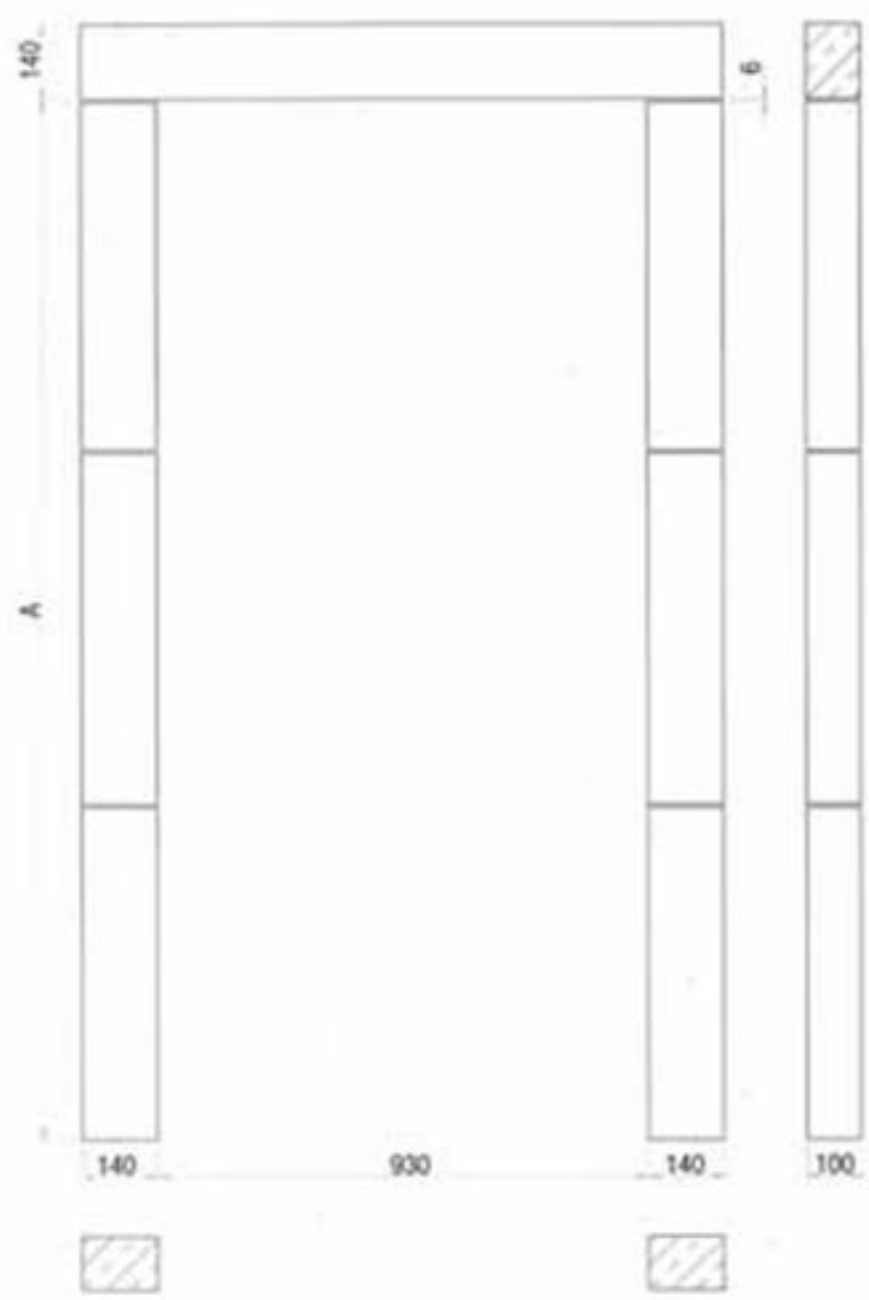
All door surrounds are supplied with stainless steel dovetail cramp fixings and dowels.

Please state dimension A when ordering.

A Technical Data Sheet showing the recommended installation is available on request.

DS1

DS2





Door Surrounds

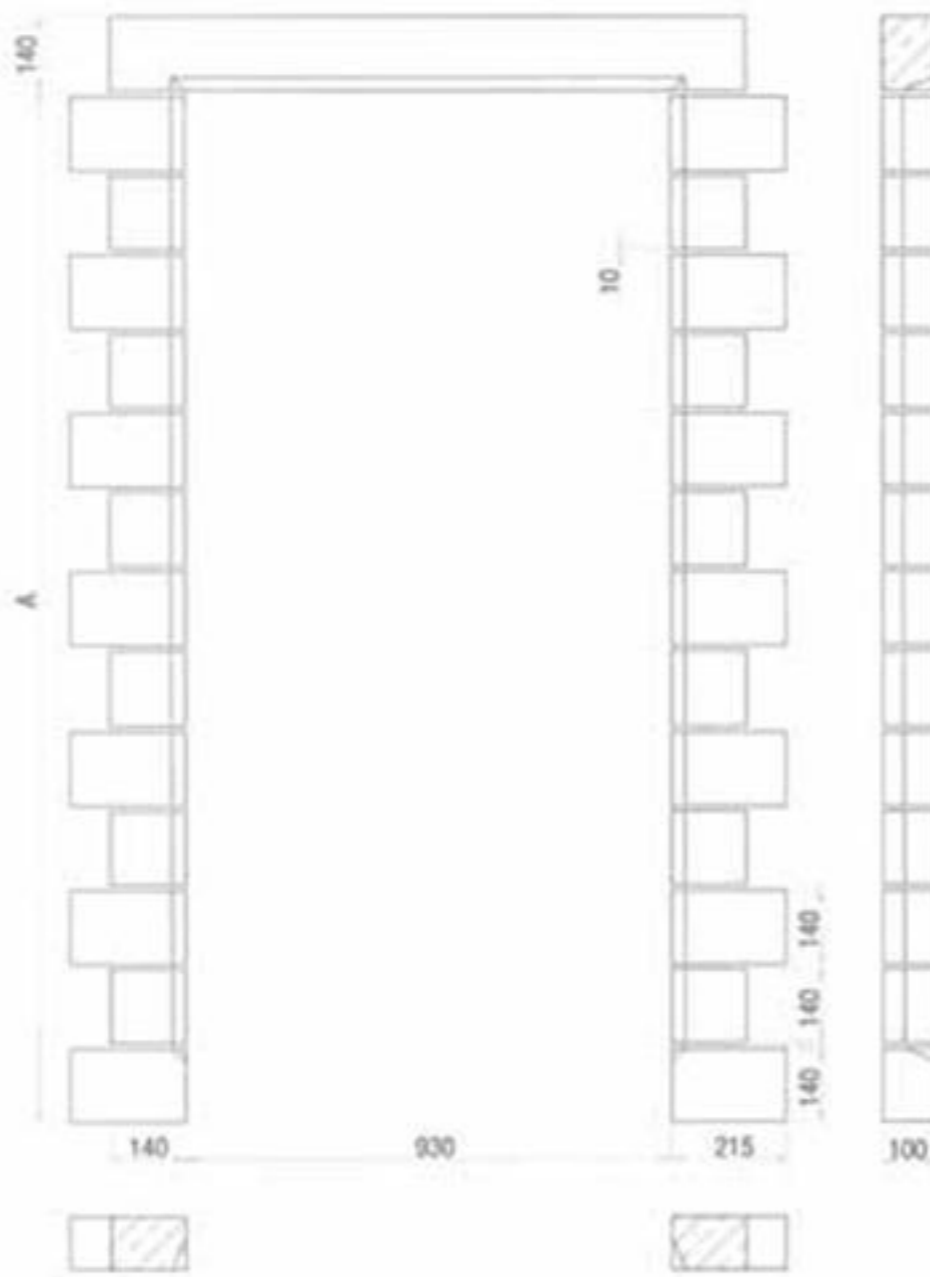
All door surrounds are supplied with stainless steel dovetail cramp fixings and dowels.

Please state dimension A when ordering.

A Technical Data Sheet showing the recommended installation is available on request.

DS3

DS4



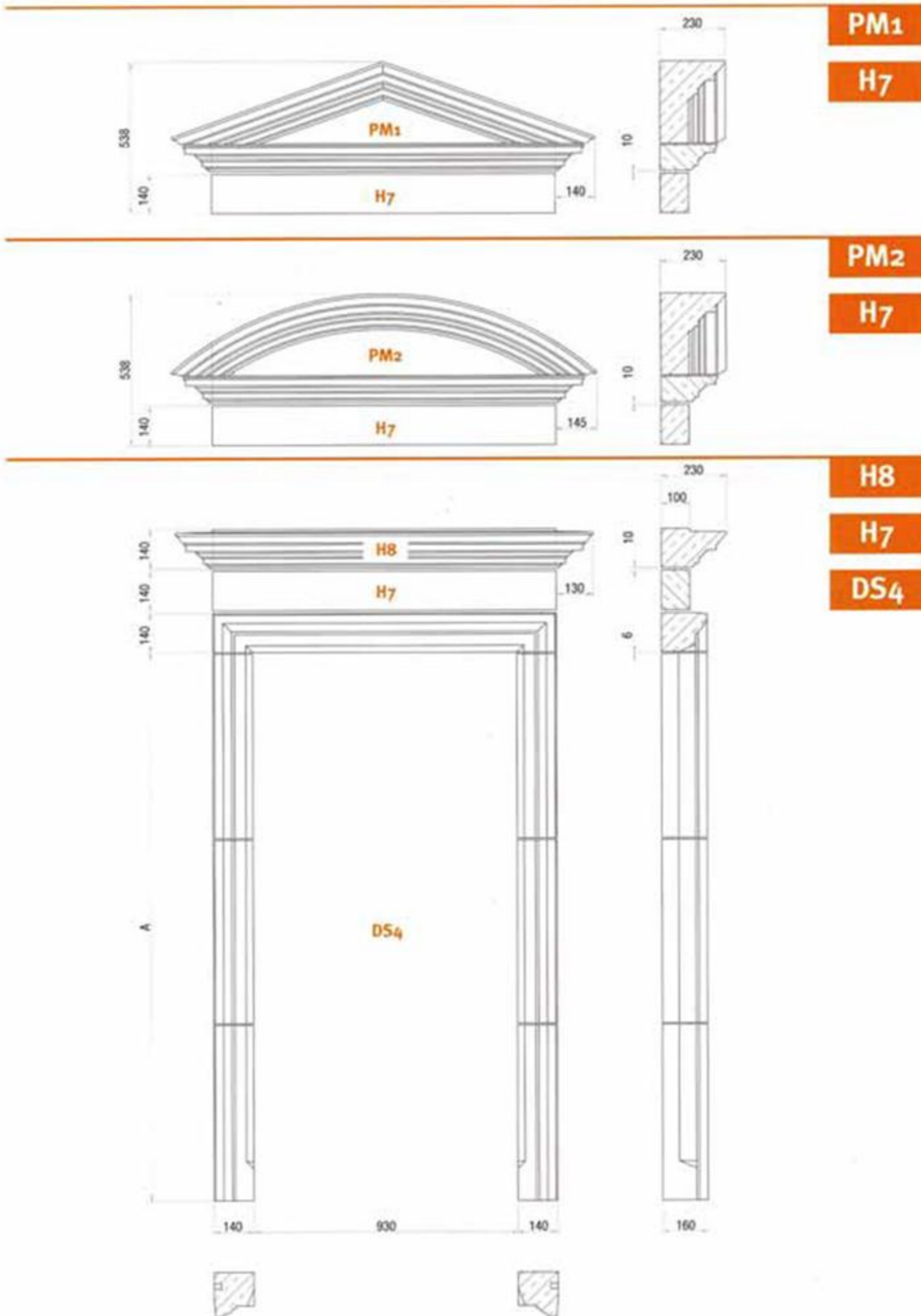
Door Surrounds



All door surrounds are supplied with stainless steel dovetail cramp fixings and dowels.

Please state dimension A when ordering.

A Technical Data Sheet showing the recommended installation is available on request.



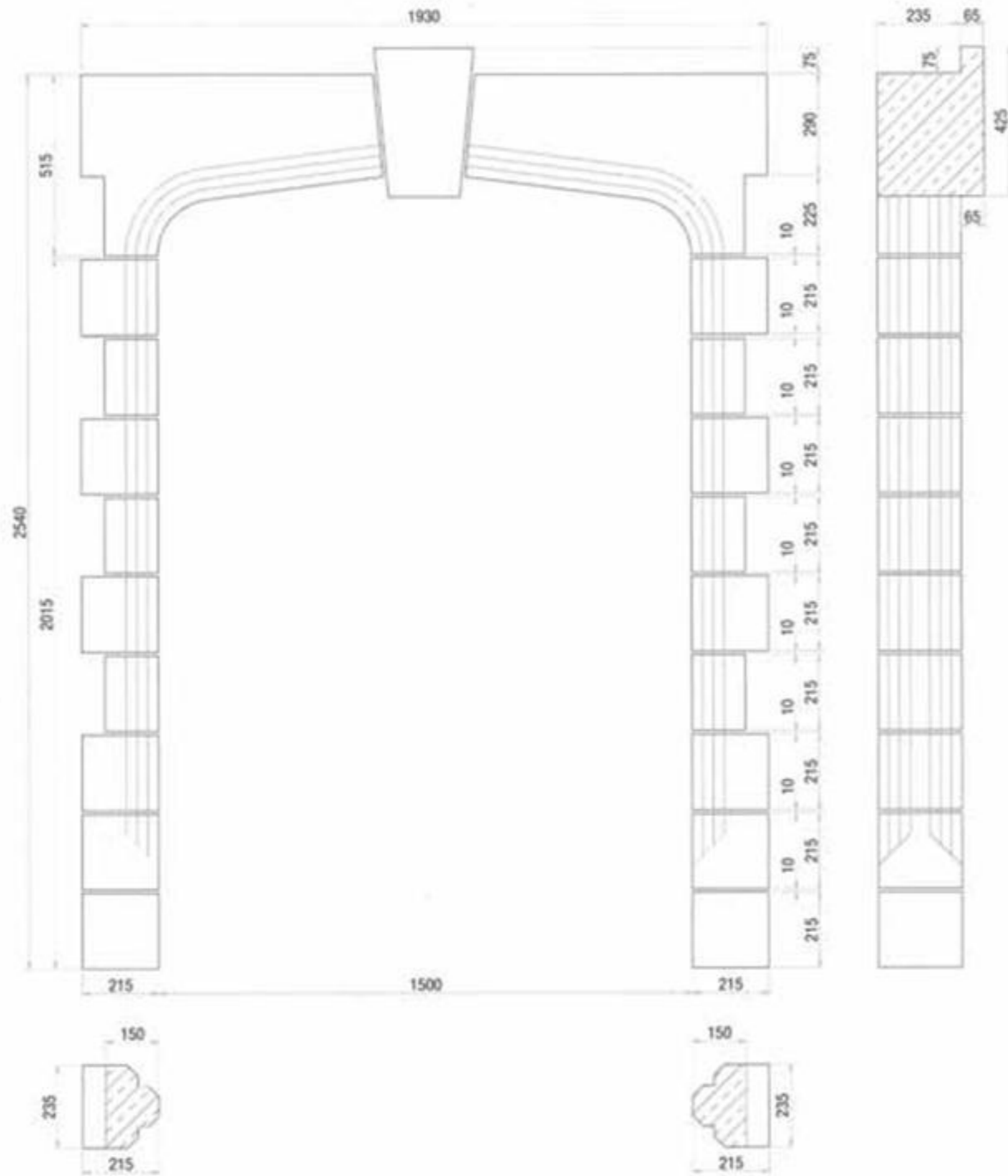


Door Surrounds

A relieving lintel will be required to carry structure above and to provide support for the centre of the arch.

A Technical Data Sheet showing the recommended installation is available on request.

PO1



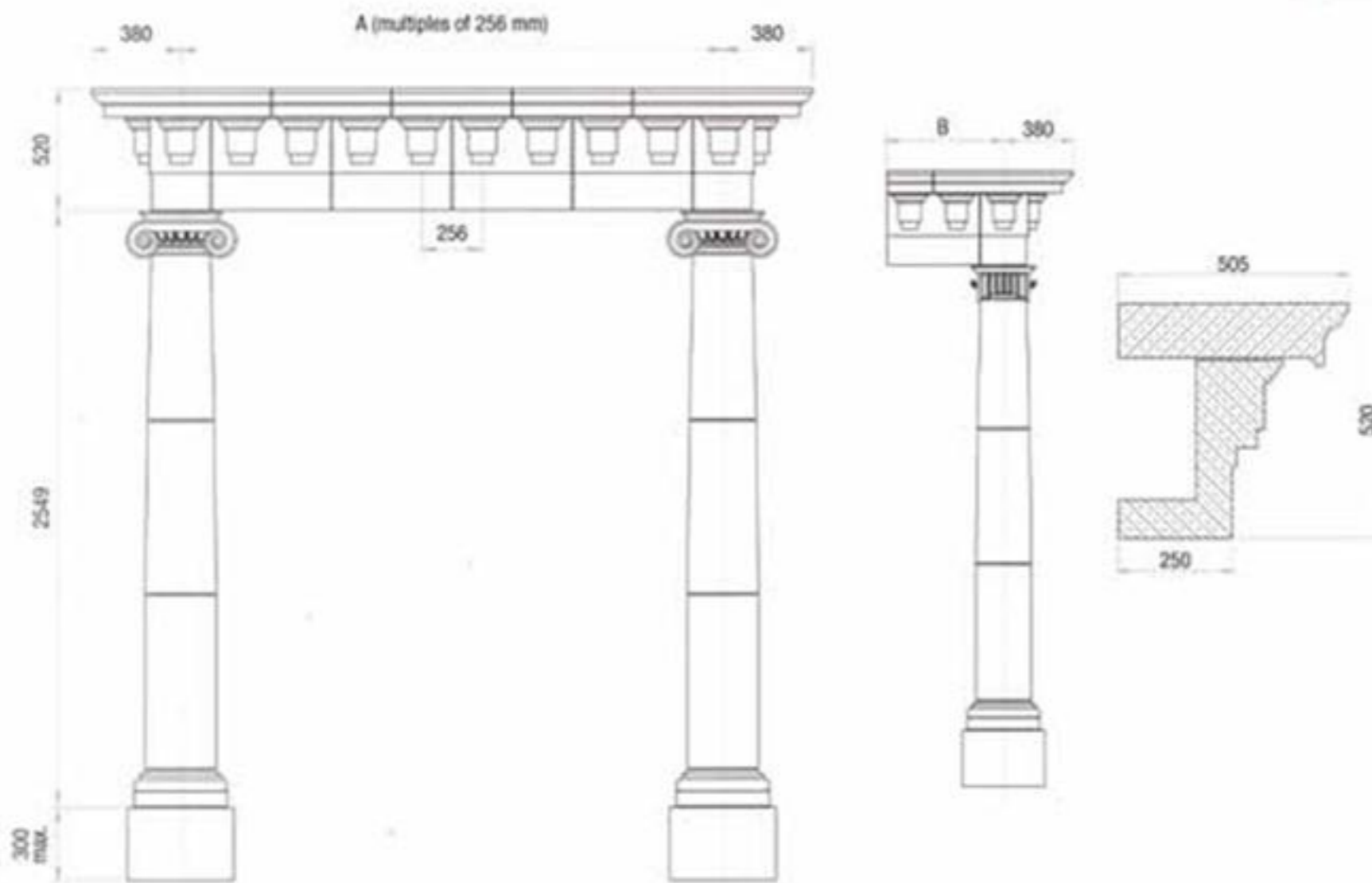
Porticos



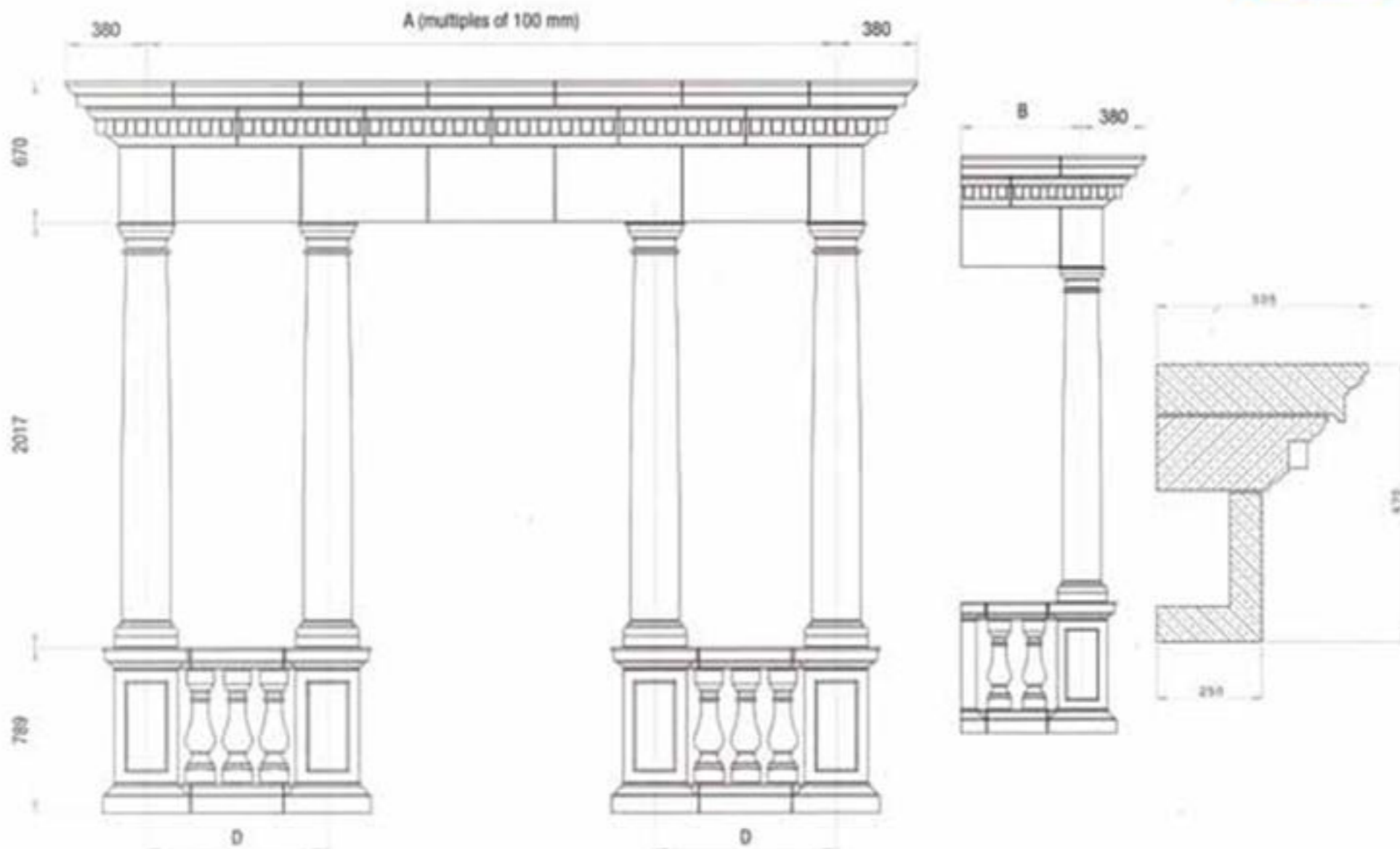
All porticos can be supplied with the following options: -
 Solid or hollow core columns
 Steel frame or in situ concrete structure
 Choice of capitals, columns, architrave and balustrading.

Please state dimensions A and B when ordering.
 A Technical Data Sheet showing the recommended installation is available on request.

PT1



PT2



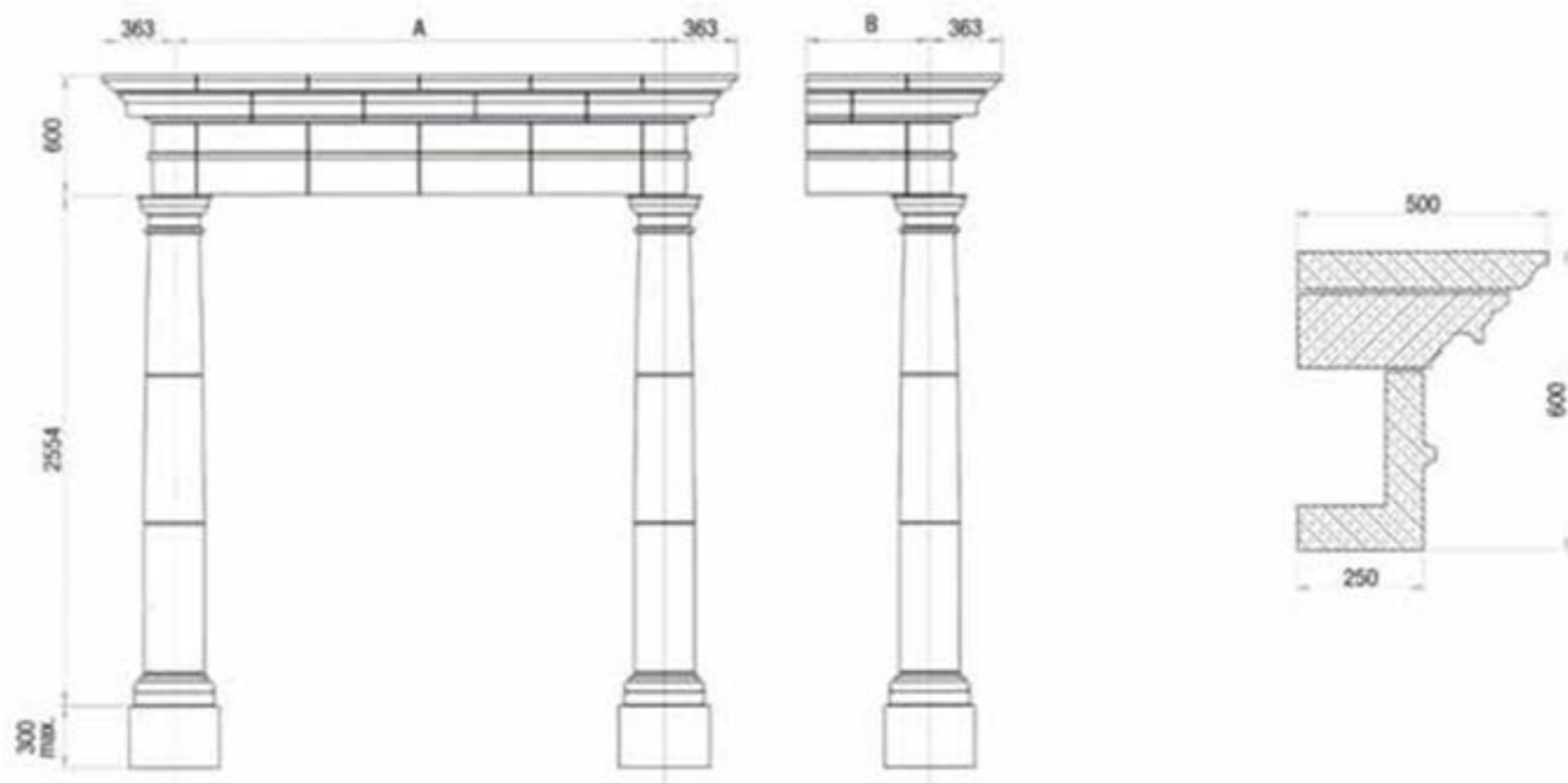


Porticos

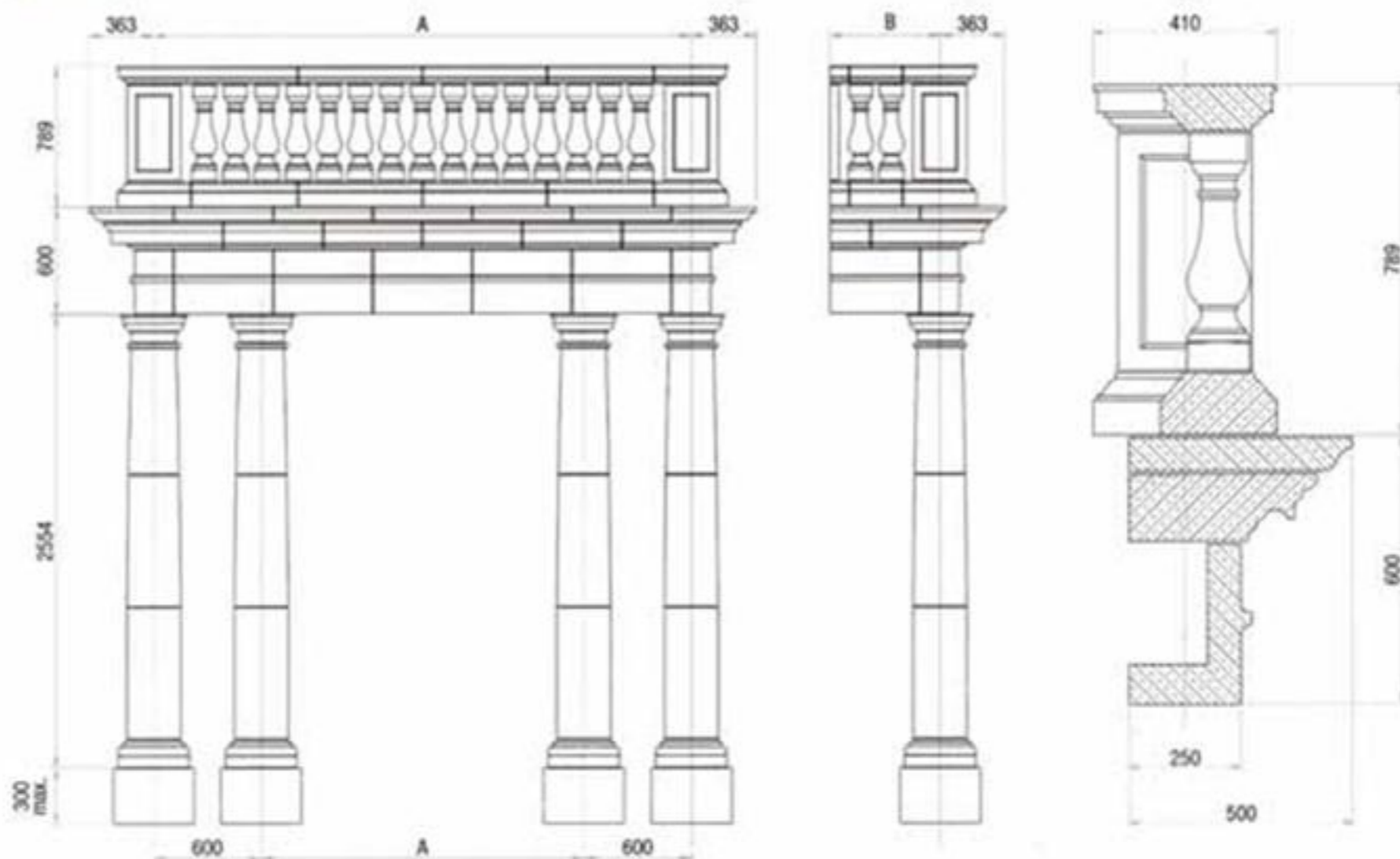
All porticos can be supplied with the following options: -
Solid or hollow core columns
Steel frame or in situ concrete structure
Choice of capitals, columns, architrave and balustrading.

Please state dimensions A and B when ordering.
A Technical Data Sheet showing the recommended installation is available on request.

PT3



PT4



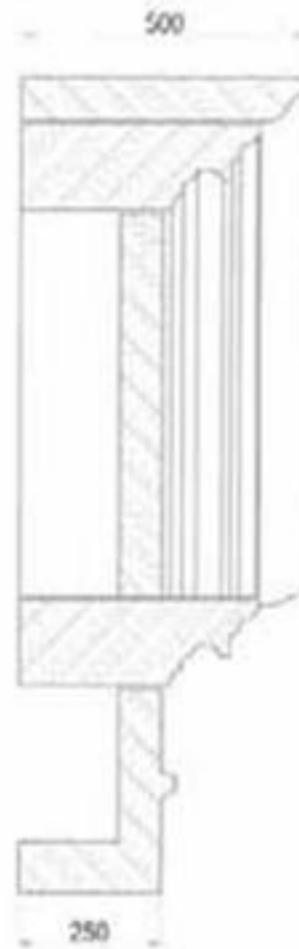
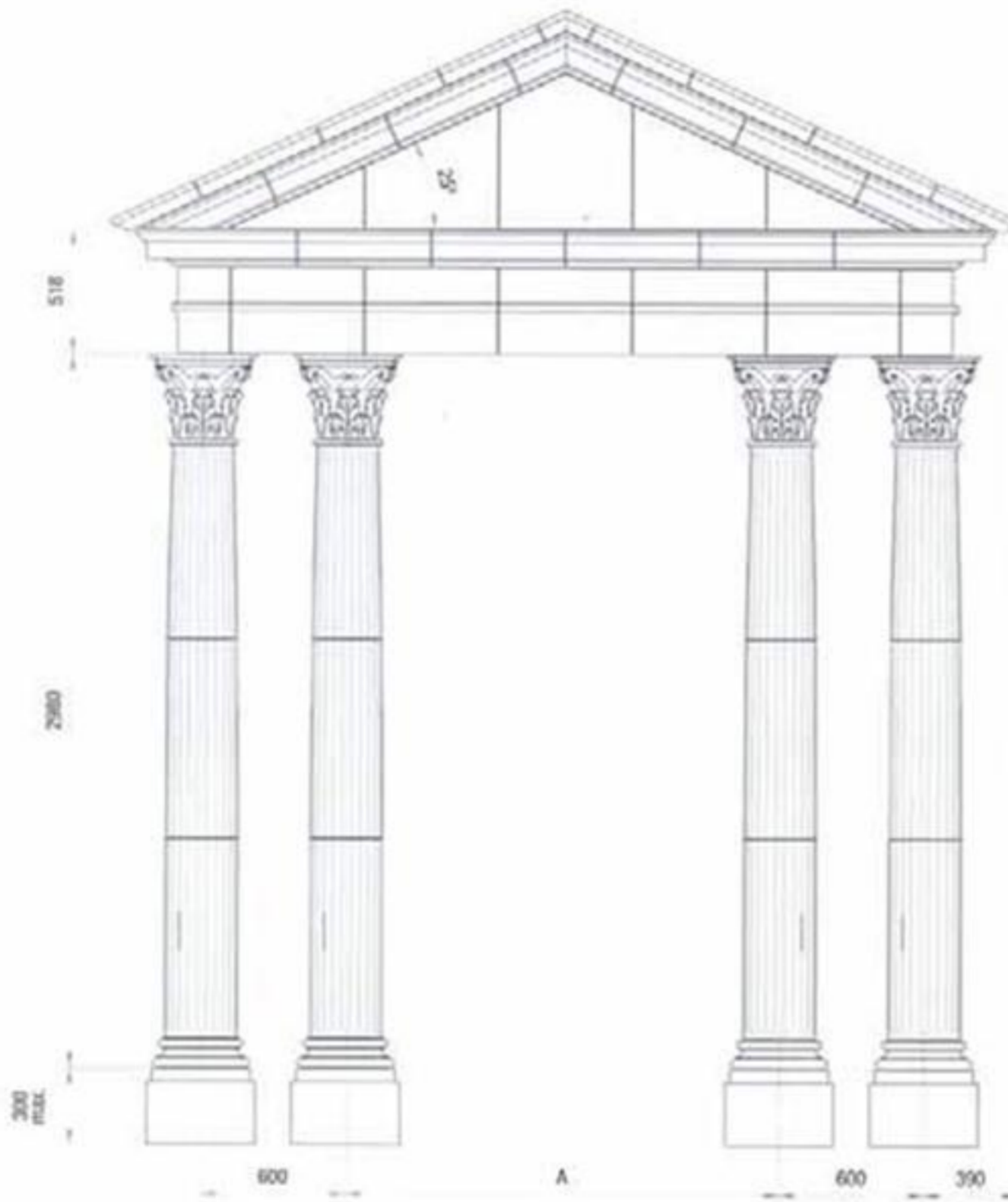
Porticos



All porticos can be supplied with the following options: -
Solid or hollow core columns
Steel frame or in situ concrete structure
Choice of capitals, columns, architrave and balustrading.

Please state dimensions A and B when ordering.
A Technical Data Sheet showing the recommended installation is available on request.

PT5



Porticos



All porticos can be supplied with the following options: -
 Solid or hollow core columns
 Steel frame or in situ concrete structure
 Choice of capitals, columns, architrave and balustrading.

Please state dimensions A and B when ordering.
 A Technical Data Sheet showing the recommended installation is available on request.

PT6

