

ARP LTD

ALUMINIUM ROOFLINE PRODUCTS



Sectional Aluminium Technical Product Guide March 2011



Contents

Category	Page
Introduction	1
Colonnade	
Round Swaged Downpipe	6
Square Swaged Downpipe	14
Round Cast Collar Downpipe	22
Square Cast Collar Downpipe	30
Hoppers	38
Security Pipe	50
Sentinel	
Beaded Half Round "Snapfit"	58
Plain Deepflow Half Round	66
Direct Fix Deepflow	74
Traditional Ogee	82
Vintage O.G. "Snapfit"	90
Legacy	
Cast Half Round Gutters	98
Cast Moulded No. 46 O.G.	108
Cast Victorian O.G. Gutters	116
Legion	
Box Gutter	124
Trueline	
Fascia & Soffit	134
Bullnose Fascia	144
Wall Coping	152
Column Casing	162
Accessories & Sundries	168
Hints & Tips	170
Handling & Storage	171
Health & Safety	172

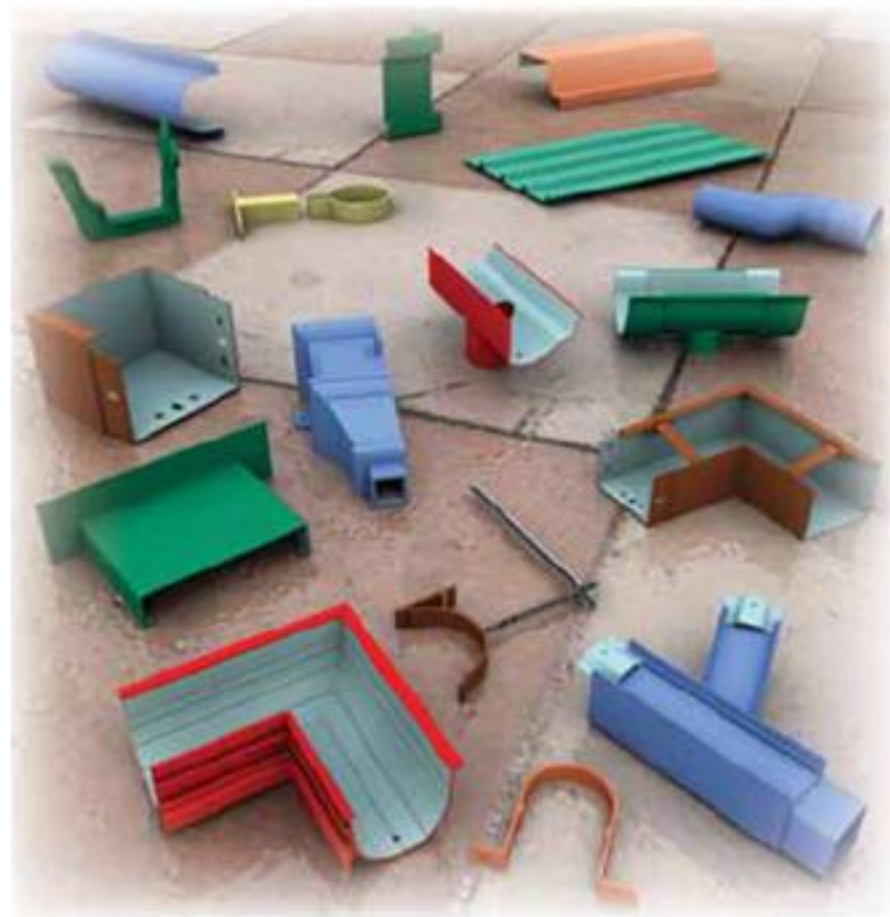




Introduction

About Us

Aluminium Roofline Products Ltd (ARP Ltd) is a privately owned, independent company based in Leicester near the M1/ M69 junction. Established in 1984 the company specialises in the manufacture and supply of aluminium eaves systems. The experience gained over the 20 years in the industry has enabled ARP with it's "hands on" refreshing approach to customer service to build an extensive range of aluminium roofline products.



Product Range

ARP Ltd is a specialist manufacturer of Architectural Aluminium Roofline products. The sectional division involves rainwater and eaves products manufactured from aluminium with an extensive range of components to enable easy assembly and installation.

ARP supply a combination of extruded, pressed and die cast aluminium, offering both the specifier and the installer the highest standards of performance, visual appeal and durability. ARP's products are suitable for commercial and industrial applications.

The product range includes:

- “Sentinel” Extruded Aluminium Gutters
- “Legion” Pressed Aluminium Box Gutters
- “Legacy” Cast Aluminium Gutters
- “Colonnade” Extruded Aluminium Downpipes
- “Trueline” Pressed Aluminium Profiles

CPD Certified / NBS Specified

ARP's seminar entitled "Aluminium Rainwater and Eaves Solution" covers the history of rainwater distribution from the roof, current statutory obligations and standards and the impact of Construction Products Directive and environmental issues, leading to a comparison between aluminium and PVCu as guttering systems. Certified by the Construction CPD Service, our seminar speakers are available nationwide.



ARP
ALUMINIUM ROOFLINE PRODUCTS

Unit 2, Vitruvius Way
Meridian Business Park
Braunstone
Leicester
LE19 1WA

Tel: 0116 2894400 Fax: 0116 2894433

E-mail: sales@arp-ltd.com Web: www.arp-ltd.com



Introduction

Technical & Estimating

ARP has its own in-house technical and estimating departments which are on hand to assist in the feasibility and design of standard or bespoke systems. Flow calculations can be provided upon request.

With short lead times, ARP can deliver even in the most demanding situations.



Product Related Standards

- BS EN 12056-3:2000. Gravity drainage inside buildings: roof drainage, layout and calculation
- BS EN 485-1:1994. Specification for aluminium sheet
- BS EN 122026. Specification for powder coating

Polyester Powder Coating

ARP offer mill finish or polyester powder coating on all our product range. A standard range of RAL and BS colours are available (see below). All items are coated external face only. PPC both sides on request. Non standard colours are also available and are priced on application.

<i>RAL/BS no.</i>	<i>Name</i>	<i>Swatch</i>	<i>RAL/BS no.</i>	<i>Name</i>	<i>Swatch</i>
<i>RAL 1011m</i>	<i>Brown Beige</i>		<i>RAL 7024m</i>	<i>Graphite Grey</i>	
<i>RAL 1013m</i>	<i>Pearl White</i>		<i>RAL 7038m</i>	<i>Agate Grey</i>	
<i>RAL 1015s</i>	<i>Light Ivory</i>		<i>RAL 7042m</i>	<i>Traffic Grey</i>	
<i>RAL 1021m</i>	<i>Cadmium Yellow</i>		<i>RAL 8017s</i>	<i>Chocolate Brown</i>	
<i>RAL 2002m</i>	<i>Vermillion</i>		<i>RAL 8019m</i>	<i>Grey Brown</i>	
<i>RAL 3003m</i>	<i>Ruby Red</i>		<i>BS 08B29</i>	<i>Bitter Chocolate</i>	
<i>RAL 3005m</i>	<i>Wine Red</i>		<i>RAL 9005m,s,g</i>	<i>Black</i>	
<i>RAL 5003m</i>	<i>Sapphire Blue</i>		<i>RAL 9005t</i>	<i>Textured Black</i>	
<i>RAL 5010m</i>	<i>Gentian Blue</i>		<i>RAL 9010m</i>	<i>Pure White</i>	
<i>RAL 6005s</i>	<i>Moss Green</i>		<i>RAL 9016m,s,g</i>	<i>Traffic White</i>	
<i>RAL 6018m</i>	<i>Yellow Green</i>				

Key : m - matt s - Satin g - Gloss t - Textured

Colours are reproduced for guidance only. Please contact our Sales Office for samples/swatches.

Please note generally ARP have over 200 colours in stock, the above reflects only part of our range, please enquire if the colour you require is not in the above list.



ARP
ALUMINIUM ROOFLINE PRODUCTS

Unit 2, Vitruvius Way
Meridian Business Park
Braunstone
Leicester
LE19 1WA

Tel: 0116 2894400
E-mail: sales@arp-ltd.com

Fax: 0116 2894433
Web: www.arp-ltd.com

Introduction

Environmental

The construction industry in the UK generates 100 million tonnes of waste every year. Therefore, it is the responsibility of the key decision makers to meet the balance between commercial demands and a more environmentally responsible industry, by choosing a sustainable product.

Aluminium Roofline Products Ltd have always been aware of this when it comes to the supply of eaves systems to the industry. Aluminium is a ready made solution for specifiers and contractors who are tasked with keeping building or refurbishments environmentally friendly.

- It can be recycled at the end of its useful life, without loss of quality or properties.
- The re-smelting process only uses about 5 % of the energy required to produce the primary aluminium, making it a very viable product to use on building applications.
- The increasing use of recycled aluminium in many applications makes for a sustainable resource for the future.

Aluminium in Building

Architects have been aware of aluminium's unique qualities for many years which include the following:

- Aluminium is lightweight, long lasting and easily formed into intricate profiles.
- Formability means that architects have an infinite range of design possibilities.
- Durability means buildings have a long life with reduced maintenance requirements.
- Resistance to corrosion means a longer building life.



Introduction

Delivery

ARP 's own transport fleet ensures items are delivered on time and without damage.



Contact Us

Please contact us for more information about our products and services.

Our sales office is open Monday to Friday (excluding bank holidays).
Sales Managers are available across the UK for technical advice or further information.

Aluminium Roofline Products Ltd

Unit 2 Vitruvius Way
Meridian Business Park
Braunstone, Leicester,
LE19 1WA
Tel: 0116 2894400
Fax: 0116 2894433

Email: sales@arp-ltd.com

Directions

From M1 junction 21 (M69 junction 1) head towards Leicester on the A5460.

Take first exit (signposted A563).

At roundabout go straight on.

Take first right into Meridian East.

Take second left onto Centurion Way.

After half a mile turn left into Vitruvius Way.



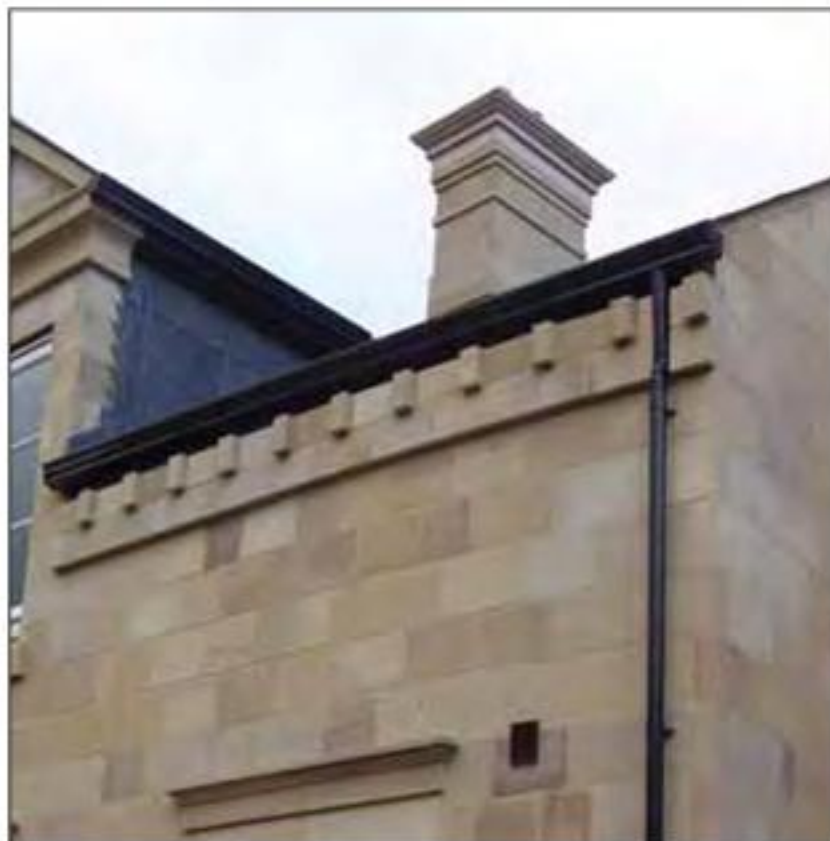
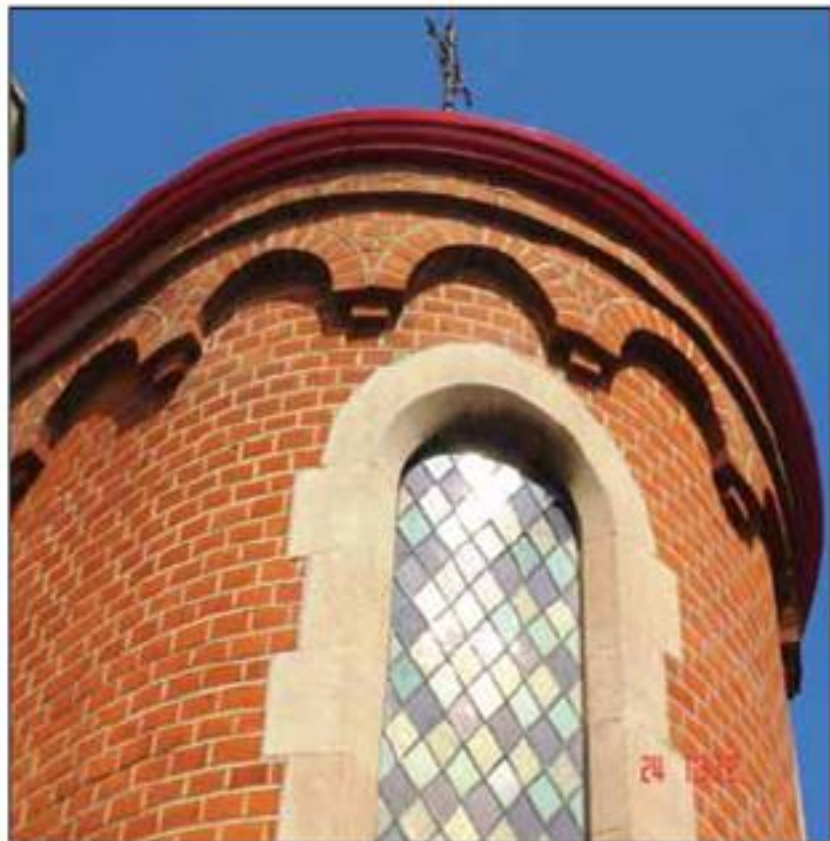
Unit 2, Vitruvius Way
Meridian Business Park
Braunstone
Leicester
LE19 1WA

Tel: 0116 2894400

Fax: 0116 2894433

E-mail: sales@arp-ltd.com

Web: www.arp-ltd.com



ARP
ALUMINIUM ROOFLINE PRODUCTS

Unit 2, Vitruvius Way
Meridian Business Park
Braunstone
Leicester
LE19 1WA

Tel: 0116 2894400 Fax: 0116 2894433
E-mail: sales@arp-ltd.com Web: www.arp-ltd.com

“Colonnade”
Round Swaged Downpipe

R
O
U
N
D
S
W
A
G
E
D
D
O
W
N
P
I
P
E



Unit 2 Vitruvius Way
Meridian Business Park
Braunstone
Leicester
LE19 1WA

Tel: 0116 2894400

Fax: 0116 2894433

E-mail: sales@arp-ltd.com

Web: www.arp-ltd.com

“Colonnade” Round Swaged Downpipe

Description:

Round downpipe formed from extruded 6060 T4 aluminium in various sizes (63mm, 76mm, 101mm & 150mm) & supplied with a complete range of accessories ie offsets, bends, shoes, pipe clips.

Installation & Jointing:

Ensure vertical alignment between drain & gutter outlet.

A Pipe Clip should be fixed directly underneath the pipe socket with additional clips at 2m maximum intervals. Clips to be fixed with plastic wall plugs & 5mm x 50mm st.stl screws (dependant on substrate).

See Fig 1.

In the case of flushjoint systems clips should be fixed at 2m intervals with a clip covering the pipe joint.



Fig 1.

R
o
u
n
d
S
w
a
g
e
d
D
o
w
n

“Colonnade”**Round Swaged Downpipe****Composition & Manufacture:**

‘Colonnade’ downpipes are manufactured from Aluminium alloy 6060 T4 to BS1474: 1972 & the product complies to, or exceeds all relevant standards.

Fittings for the downpipes are formed using fabrication methods involving cut, mitre & welding techniques using specially made jig & forming tools.

Socket depth on all ranges is 60mm.

Finish:

Mill Finish Aluminium or Polyester Powder Coated to a range of BS or RAL Colours.

Model Specification:

ARP heavy grade ‘Colonnade’ Swaged Downpipes & fittings to BS 2997 (EN612) using 6060 T4 grade extruded aluminium in accordance with BS 1474: 1974. Profile to be Round*, size Ø63mm (1.6mm), Ø76mm (1.6mm), Ø101mm (1.6mm), Ø150mm (2.5mm).*

Materials to have factory applied Polyester Powder Coat to all significant surfaces in accordance with BS EN 122026 Matt/Satin/Gloss* finish, or alternatively plain aluminium Mill Finish. All to be supplied by Aluminium Roofline Products Ltd, Unit 2, Vitruvius Way, Meridian Business Park, Braunstone, Leicester LE19 1WA. Tel 0116 2894400 Fax 0116 2894433.

To be fastened by 5mm x 50mm (dependant on substrate) stainless steel screws, in accordance with the manufacturer’s specification & guidelines. Downpipes to be fixed at 2m centres maximum with supplementary brackets at or near fittings.

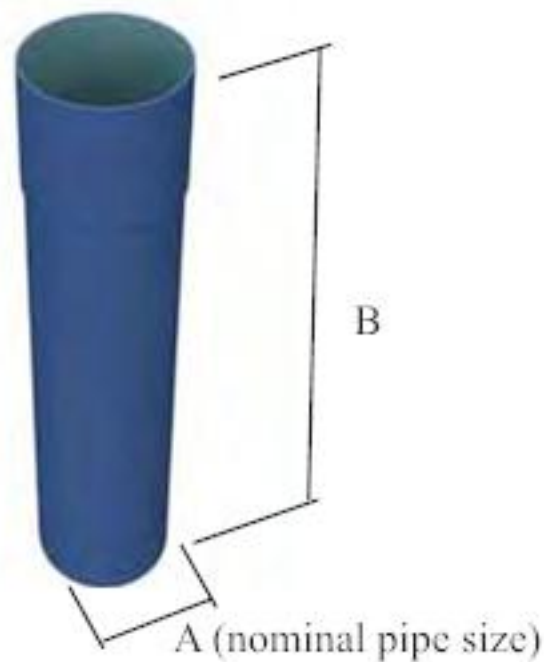
* Delete as appropriate



**R
O
U
N
D
S
W
A
G
E
D
D
O
W
N
P
I
P
E**

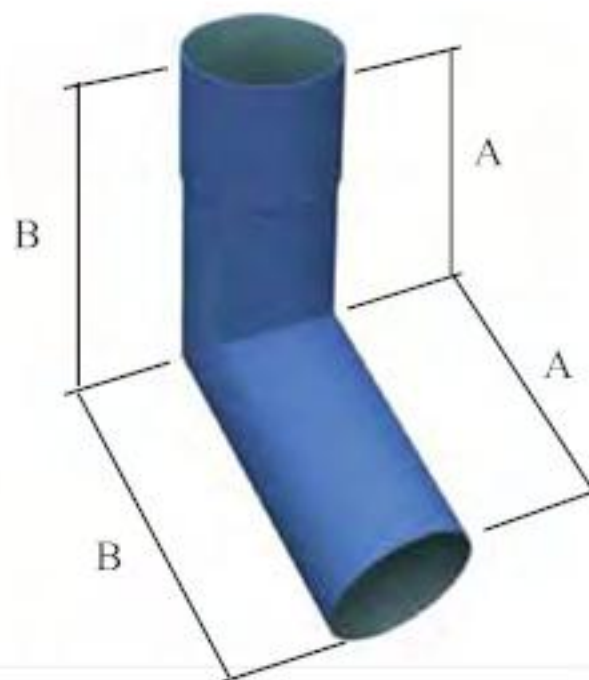
“Colonnade” Round Swaged Downpipe

Downpipe Lengths



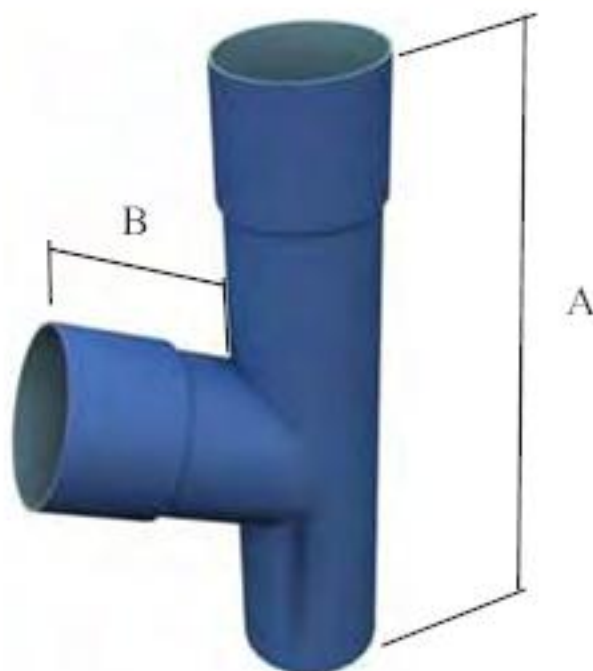
A (mm)	Code B=3.0m	Code B=2.5m	Code B=2.0m	Code B=1.0m	Code B=0.5m
63	2RDP3	2RDP2.5	2RDP2	2RDP1	2RDP0.5
76	3RDP3	3RDP2.5	3RDP2	3RDP1	3RDP0.5
101	4RDP3	4RDP2.5	4RDP2	4RDP1	4RDP0.5
150	6RDP3	6RDP2.5	6RDP2	6RDP1	6RDP0.5

Bends

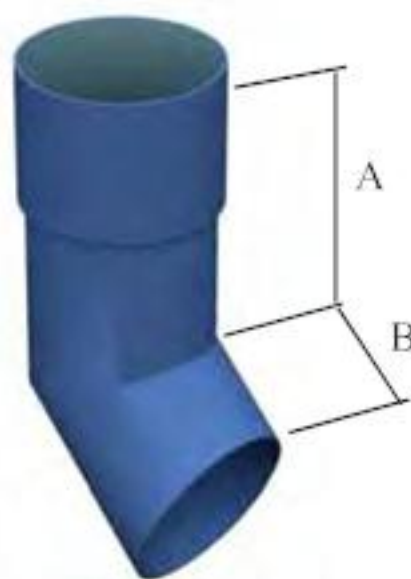


Pipe Size (mm)	Code	A (mm)	B (mm)	Code	A (mm)	B (mm)	Code	A (mm)	B (mm)
63	2RB92	120	180	2RB112	120	160	2RB135	120	145
76	3RB92	120	192	3RB112	120	170	3RB135	120	150
101	4RB92	120	215	4RB112	120	185	4RB135	120	165
150	6RB92	120	267	6RB112	120	222	6RB135	120	182

“Colonnade” Round Swaged Downpipe



Pipe Size (mm)	Code	A (mm)	B (mm)	Code	A (mm)	B (mm)	Code	A (mm)	B (mm)
63	2RY92	260	120	2RY112	260	120	2RY135	260	120
76	3RY92	260	120	3RY112	260	120	3RY135	260	120
101	4RY92	300	120	4RY112	300	120	4RY135	300	120
150	6RY92	300	120	6RY112	300	120	6RY135	300	120



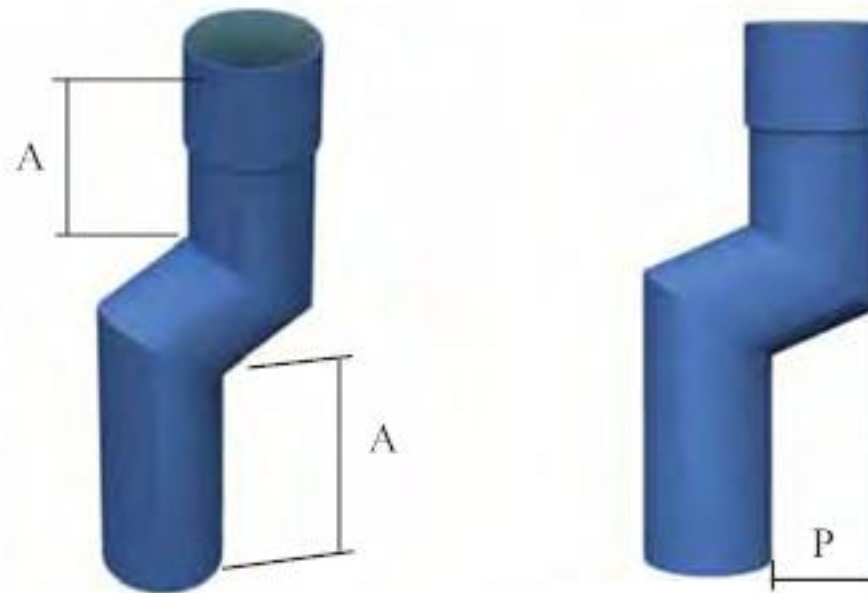
Pipe Size (mm)	Code	A (mm)	B (mm)
63	2RS	120	40
76	3RS	120	40
101	4RS	120	40
150	6RS	120	40

R
o
u
n
d
S
w
a
g
e
d
D
o
w
n
p
i
p
e

“Colonnade” Round Swaged Downpipe

One part Swan-necks

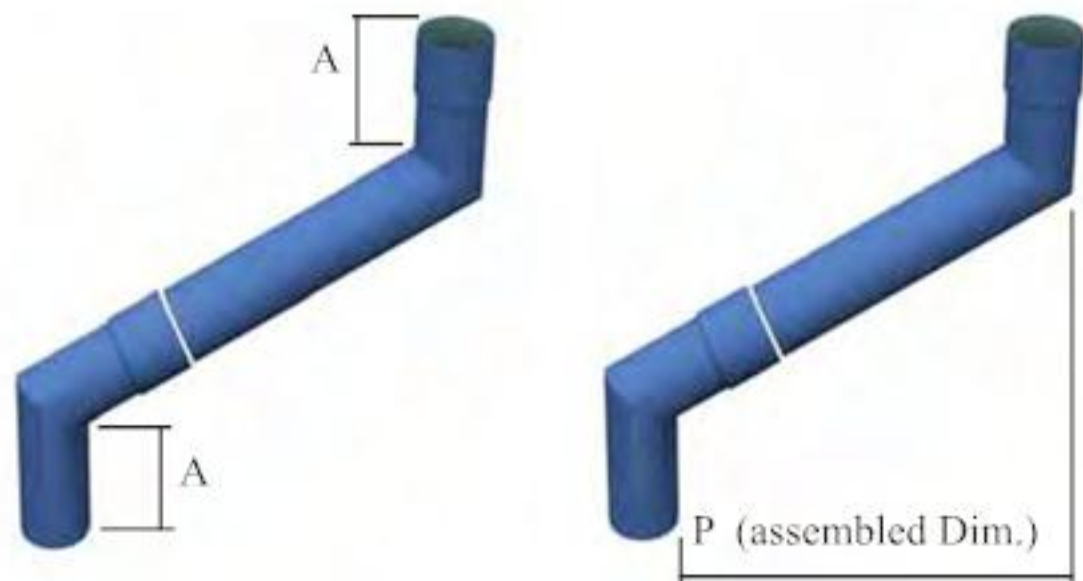
One part swan-necks are supplied 112.5° as standard. Plinth offsets are supplied 135° as standard. Please specify other requirements.



Pipe Size (mm)	A (mm)	Code P=40mm	Code P=63mm	Code P=75mm	Code P=100mm	Code P=150mm
63	120	2RSN40/1	2RSN63/1	2RSN75/1	2RSN100/1	2RSN150/1
76	120	3RSN40/1	3RSN63/1	3RSN75/1	3RSN100/1	3RSN150/1
101	120	4RSN40/1	4RSN63/1	4RSN75/1	4RSN100/1	4RSN150/1
150	120	6RSN40/1	6RSN63/1	6RSN75/1	6RSN100/1	6RSN150/1

Two part Swan-necks

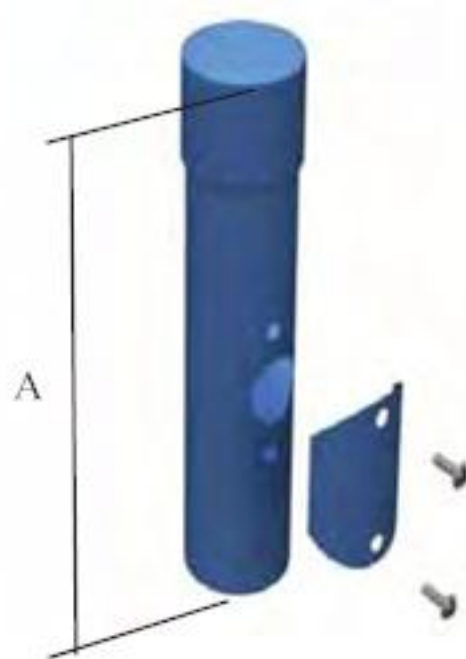
Two part swan-necks are supplied 112.5° as standard. Please specify other requirements.



Pipe Size (mm)	A (mm)	Code P=150mm	Code P=300mm	Code P=450mm	Code P=600mm	Code P=750mm
63	120	2RSN150/2	2RSN300/2	2RSN450/2	2RSN600/2	2RSN750/2
76	120	3RSN150/2	3RSN300/2	3RSN450/2	3RSN600/2	3RSN750/2
101	120	4RSN150/2	4RSN300/2	4RSN450/2	4RSN600/2	4RSN750/2
150	120	6RSN150/2	6RSN300/2	6RSN450/2	6RSN600/2	6RSN750/2

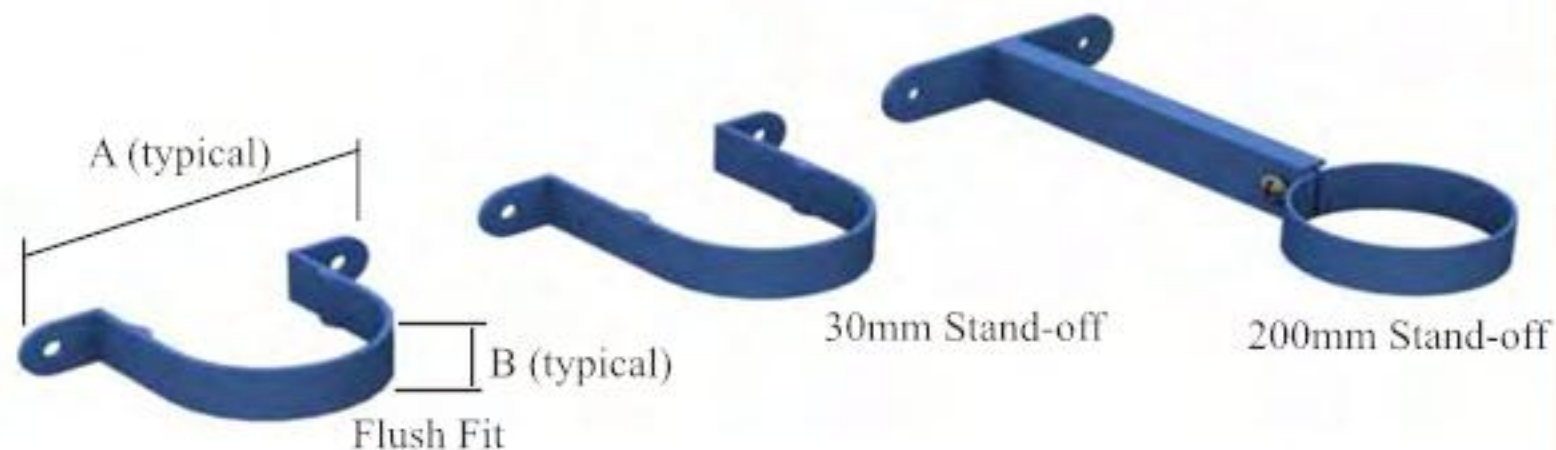
“Colonnade” Round Swaged Downpipe

Access Pipe



Pipe Size (mm)	Code	A (mm)
63	2RAPP	300
76	3RAPP	300
101	4RAPP	300
150	6RAPP	300

Pipe Clips



Pipe Size (mm)	A (mm)	B (mm)	Code Flush Fit	Code 30mm s/off	Code 200mm s/off
63	125	25	2RPCFF	2RPC30	2RPCSO200
76	145	25	3RPCFF	3RPC30	3RPCSO200
101	170	25	4RPCFF	4RPC30	4RPCSO200
150	250	25	6RPCFF	6RPC30	6RPCSO200

R
o
u
n
d
S
w
a
g
e
d
D
o
w
n
p
i
p
e

R
O
U
N
D
F
L
U
S
H
J
O
I
N
T
D
O
W
N
P
I
P
E

“Colonnade”
Round Flushjoint Downpipe



As an alternative to “up”swaging downpipes, ARP can offer a flushjoint downpipe system where the end of the downpipe is reduced in diameter, this provides a clean line to compliment the building design. Pipe clips should be fitted at 2m maximum centres with one clip covering the pipe joint.

Example components are shown below, please contact our technical department for specific requirements. Note Ø63mm, Ø76mm & Ø101mm are produced by reducing the nominal pipe diameter, Ø150mm is produced by welding a spigot into place.

One part flushjoint Swan-neck



flushjoint Y-Branch



Two part flushjoint Swan-neck



flushjoint Shoe



Unit 2, Miravia Way
Meridian Business Park
Braunstone
Leicester
LE19 1WA

Tel: 0116 2894400
E-mail: sales@arp-ltd.com

Fax: 0116 2894433
Web: www.arp-ltd.com

“Colonnade”

Square & Rectangular Swaged Downpipe



S
q
u
a
r
e
S
w
a
g
e
d
D
o
w
n
p
i
p
e



Unit 2 Vitruvius Way
Meridian Business Park
Braunstone
Leicester
LE19 1WA

Tel: 0116 2894400

Fax: 0116 2894433

E-mail: sales@arp-ltd.com

Web: www.arp-ltd.com

“Colonnade”

Square & Rectangular Swaged Downpipe

Description:

Square or rectangular downpipe formed from extruded 6060 T4 aluminium in various sizes (63x63mm, 76x76mm, 101x101mm, 101x76mm & 150x150mm*) & supplied with a complete range of accessories ie offsets, bends, shoes, pipe clips.

Installation & Jointing:

Ensure vertical alignment between drain & gutter outlet.

A Pipe Clip should be fixed directly underneath the pipe socket with additional clips at 2m maximum intervals. Clips to be fixed with plastic wall plugs & 5mm x 50mm st.stl screws (dependant on substrate).

See Fig 1.

In the case of flushjoint systems clips should be fixed at 2m intervals with a clip covering the pipe joint.

* Note:150mm Square downpipe socket is fabricated,all other sizes the tube is swaged.

2m Max Centres

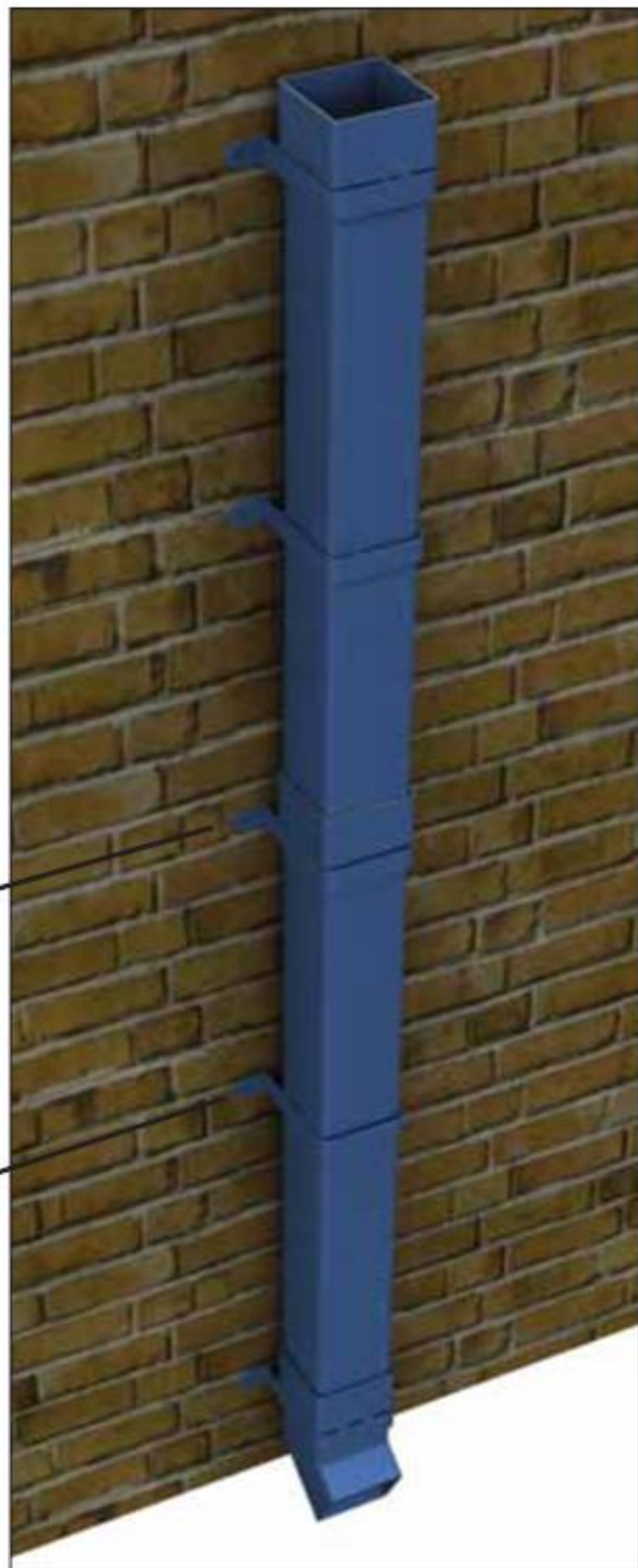


Fig 1.

S
q
u
a
r
e
S
w
a
g
e
d
D
o
w
n
p
i
p
e

“Colonnade”

Square & Rectangular Swaged Downpipe

Composition & Manufacture:

‘Colonnade’ downpipes are manufactured from Aluminium alloy 6060 T4 to BS1474: 1972 & the product complies to, or exceeds all relevant standards.

Fittings for the downpipes are formed using fabrication methods involving cut, mitre & welding techniques using specially made jig & forming tools.

Socket depth on all ranges is 60mm.

Finish:

Mill Finish Aluminium or Polyester Powder Coated to a range of BS or RAL Colours.

Model Specification:

ARP heavy grade ‘Colonnade’ Swaged Downpipes & fittings to BS 2997 (EN612) using 6060 T4 grade extruded aluminium in accordance with BS 1474: 1974. Profile to be Square/Rectangular*, size 63x63mm (1.6mm), 76x76mm (1.6mm), 101x101mm (2.5mm), 101x76mm (2mm), 150x150mm (3mm).*

Materials to have factory applied Polyester Powder Coat to all significant surfaces in accordance with BS EN 122026 Matt/Satin/Gloss* finish, or alternatively plain aluminium Mill Finish. All to be supplied by Aluminium Roofline Products Ltd, Unit 2, Vitruvius Way, Meridian Business Park, Braunstone, Leicester LE19 1WA. Tel 0116 2894400 Fax 0116 2894433.

To be fastened by 5mm x 50mm (dependant on substrate) stainless steel screws, in accordance with the manufacturer’s specification & guidelines. Downpipes to be fixed at 2m centres maximum with supplementary brackets at or near fittings.

* Delete as appropriate



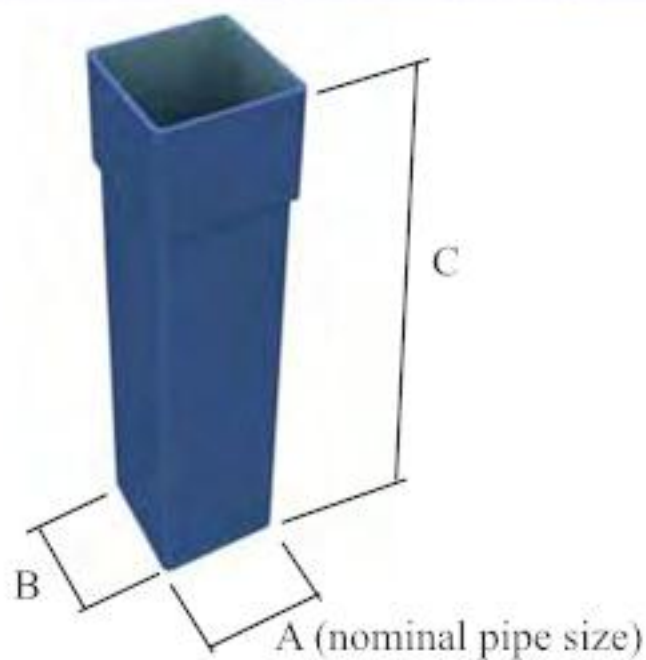
S
q
u
a
r
e
S
w
a
g
e
d
D
o
w
n
p
i
p
e

S
q
u
a
r
e
S
w
a
g
e
d
D
o
w
n

“Colonnade”

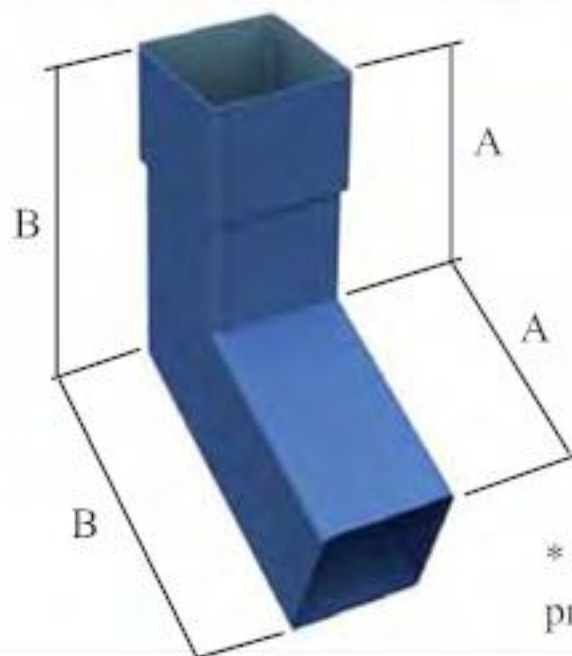
Square & Rectangular Swaged Downpipe

Downpipe Lengths



A (mm)	B (mm)	Code C=3.0m	Code C=2.5m	Code C=2.0m	Code C=1.0m	Code C=0.5m
63	63	2SDP3	2SDP2.5	2SDP2	2SDP1	2SDP0.5
76	76	3SDP3	3SDP2.5	3SDP2	3SDP1	3SDP0.5
101	76	43DP3	43DP2.5	43DP2	43DP1	43DP0.5
101	101	4SDP3	4SDP2.5	4SDP2	4SDP1	4SDP0.5
150	150	6SDP3	6SDP2.5	6SDP2	6SDP1	6SDP0.5

Bends

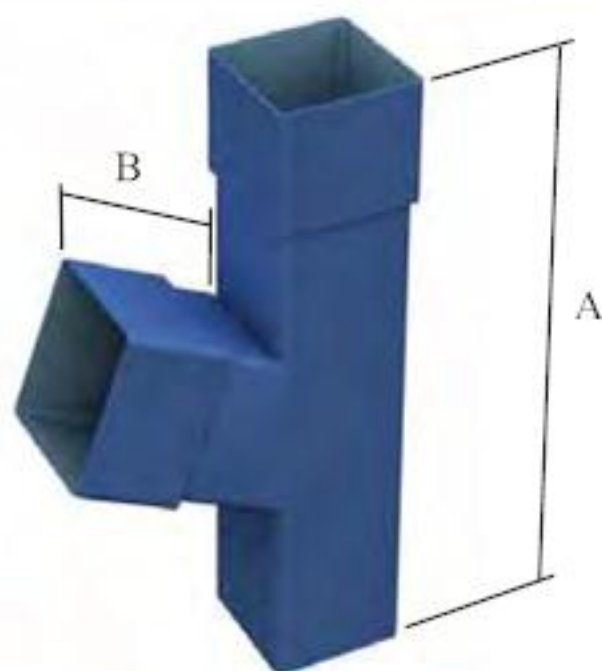


* Please specify “Forward” projecting or “Side” projecting.

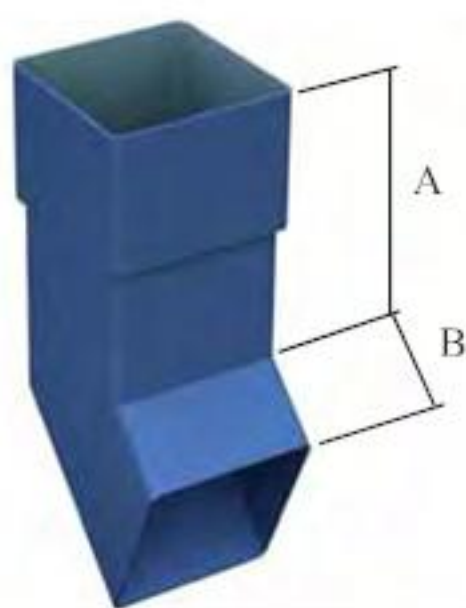
Pipe Size (mm)	Code	A (mm)	B (mm)	Code	A (mm)	B (mm)	Code	A (mm)	B (mm)
63x63	2SB92	120	180	2SB112	120	160	2SB135	120	145
76x76	3SB92	120	192	3SB112	120	170	3SB135	120	150
101x76*	43B92	120	192	43B112	120	170	43B135	120	150
101x101	4SB92	120	215	4SB112	120	185	4SB135	120	165
150x150	6SB92	120	267	6SB112	120	222	6SB135	120	182

“Colonnade”

Square & Rectangular Swaged Downpipe



Pipe Size (mm)	Code	A (mm)	B (mm)	Code	A (mm)	B (mm)	Code	A (mm)	B (mm)
	92.5°			112.5°			135°		
63x63	2SY92	260	120	2SY112	260	120	2SY135	260	120
76x76	3SY92	260	120	3SY112	260	120	3SY135	260	120
101x76	43Y92	300	120	43Y112	300	120	43Y135	300	120
101x101	4SY92	300	120	4SY112	300	120	4SY135	300	120
150x150	6SY92	300	120	6SY112	300	120	6SY135	300	120



Pipe Size (mm)	Code	A (mm)	B (mm)
63x63	2SS	120	40
76x76	3SS	120	40
101x76	43S	120	40
101x101	4SS	120	40
150x150	6SS	120	40

S
q
u
a
r
e

S
w
a
g
e
d

D
o
w
n
p
i
p
e

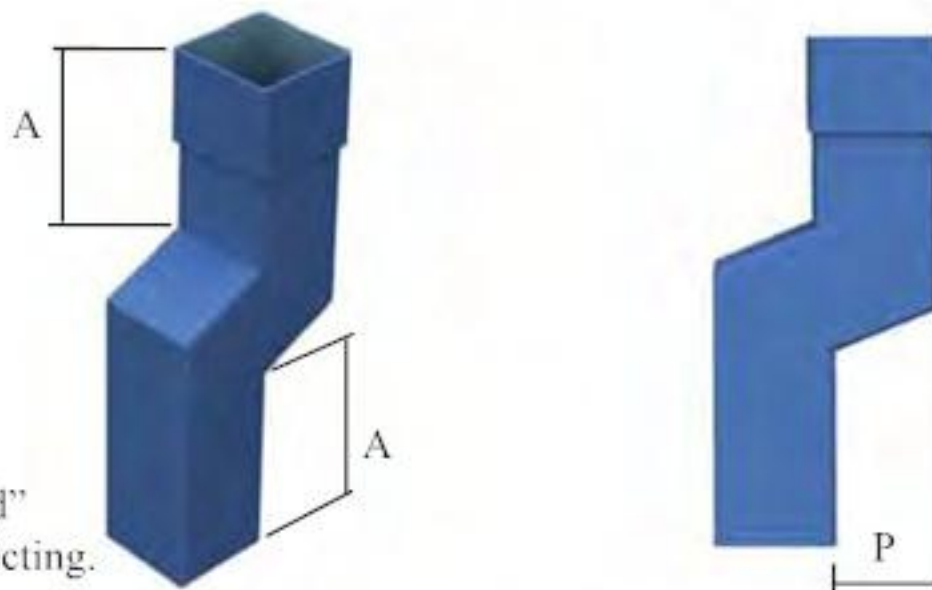
“Colonnade”

Square & Rectangular Swaged Downpipe

One part Swan-necks

One part swan-necks are supplied 112.5° as standard. Plinth offsets are supplied 135° as standard. Please specify other requirements.

* Please specify “Forward” projecting or “Side” projecting.

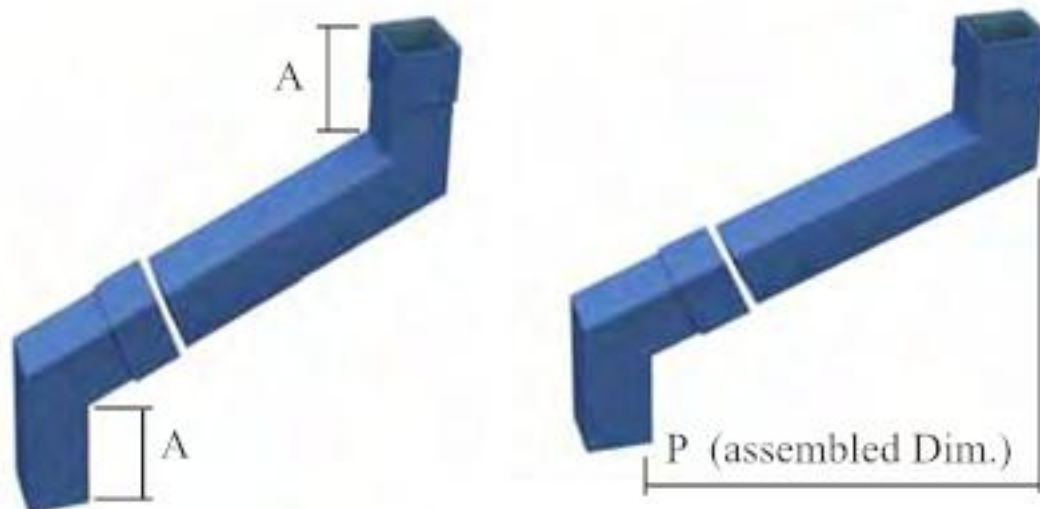


Pipe Size (mm)	A (mm)	Code P=40mm	Code P=63mm	Code P=75mm	Code P=100mm	Code P=150mm
63x63	120	2SSN40/1	2SSN63/1	2SSN75/1	2SSN100/1	2SSN150/1
76x76	120	3SSN40/1	3SSN63/1	3SSN75/1	3SSN100/1	3SSN150/1
101x76*	120	43SN40/1	43SN63/1	43SN75/1	43SN100/1	43SN150/1
101x101	120	4SSN40/1	4SSN63/1	4SSN75/1	4SSN100/1	4SSN150/1
150x150	120	6SSN40/1	6SSN63/1	6SSN75/1	6SSN100/1	6SSN150/1

Two part Swan-necks

Two part swan-necks are supplied 112.5° as standard. Please specify other requirements.

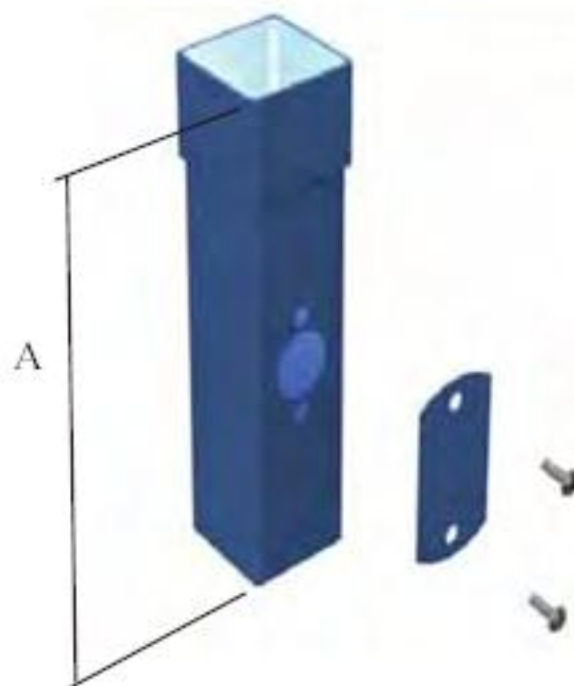
* Please specify “Forward” projecting or “Side” projecting.



Pipe Size (mm)	A (mm)	Code P=150mm	Code P=300mm	Code P=450mm	Code P=600mm	Code P=750mm
63x63	120	2SSN150/2	2SSN300/2	2SSN450/2	2SSN600/2	2SSN750/2
76x76	120	3SSN150/2	3SSN300/2	3SSN450/2	3SSN600/2	3SSN750/2
101x76*	120	43SN150/2	43SN300/2	43SN450/2	43SN600/2	43SN750/2
101x101	120	4SSN150/2	4SSN300/2	4SSN450/2	4SSN600/2	4SSN750/2
150x150	120	6SSN150/2	6SSN300/2	6SSN450/2	6SSN600/2	6SSN750/2

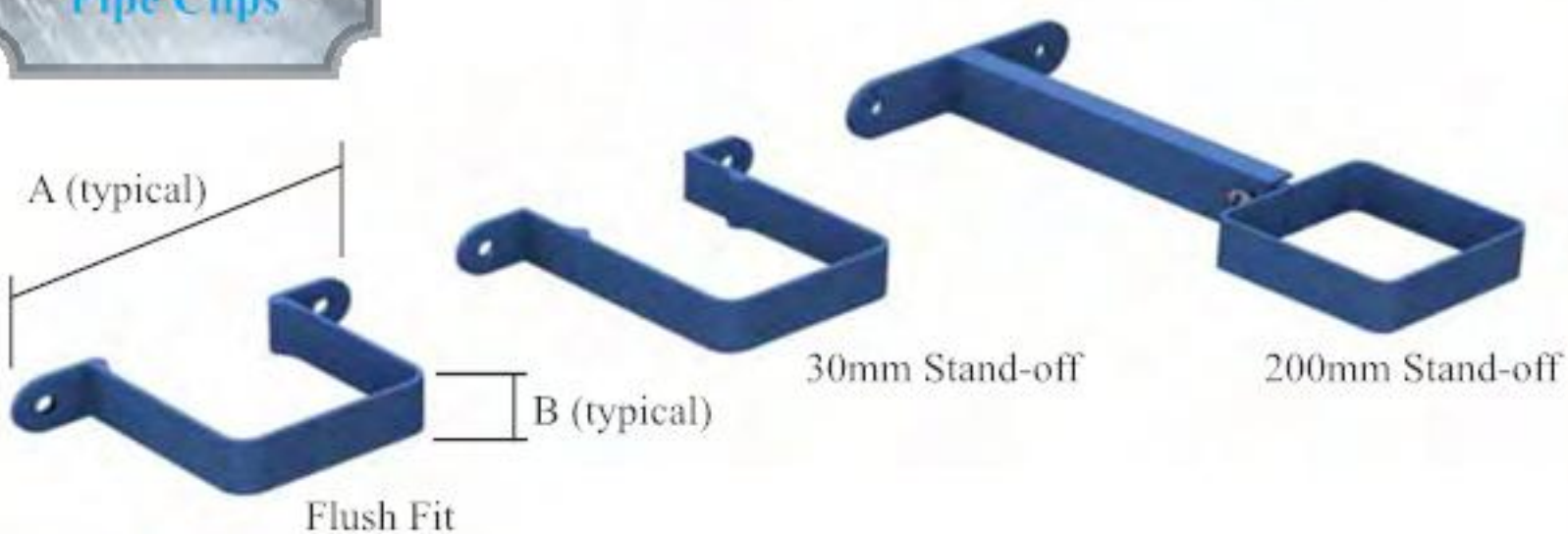
“Colonnade” Square & Rectangular Swaged Downpipe

Access Pipe



Pipe Size (mm)	Code	A (mm)
63x63	2SAPP	300
76x76	3SAPP	300
101x76	43APP	300
101x101	4SAPP	300
150x150	6SAPP	300

Pipe Clips



Pipe Size (mm)	A (mm)	B (mm)	Code Flush Fit	Code 30mm s/off	Code 200mm s/off
63x63	125	25	2SPCFF	-	2SPCSO200
76x76	145	25	3SPCFF	3SPC30	3SPCSO200
101x76	170	25	43PCFF	-	43PCSO200
101x101	170	25	4SPCFF	-	4SPCSO200
150x150	250	25	6SPCFF	-	6SPCSO200

S
q
u
a
r
e
S
w
a
g
e
d
D
o
w
n
p
i
p
e

“Colonnade” Square Flushjoint Downpipe

S
q
u
a
r
e
F
l
u
s
h
j
o
i
n
t
D
o
w
n
p
i
p
e



As an alternative to “up”swaging downpipes, ARP can offer a flushjoint downpipe system which produces a clean line to compliment the building design. Pipe clips should be fitted at 2m maximum centres with one clip covering the pipe joint.

Example components are shown below, please contact our technical department for specific requirements. Available in 63mm,76mm, 101mm,150mm Square & 101x76mm Rectangular, they are all produced by welding a spigot into place.

One part flushjoint swanneck



flushjoint Y-Branch



Two part flushjoint swanneck



flushjoint Shoe



Unit 2 Vitruvius Way
Meridian Business Park
Braunstone
Leicester
LE19 1WA

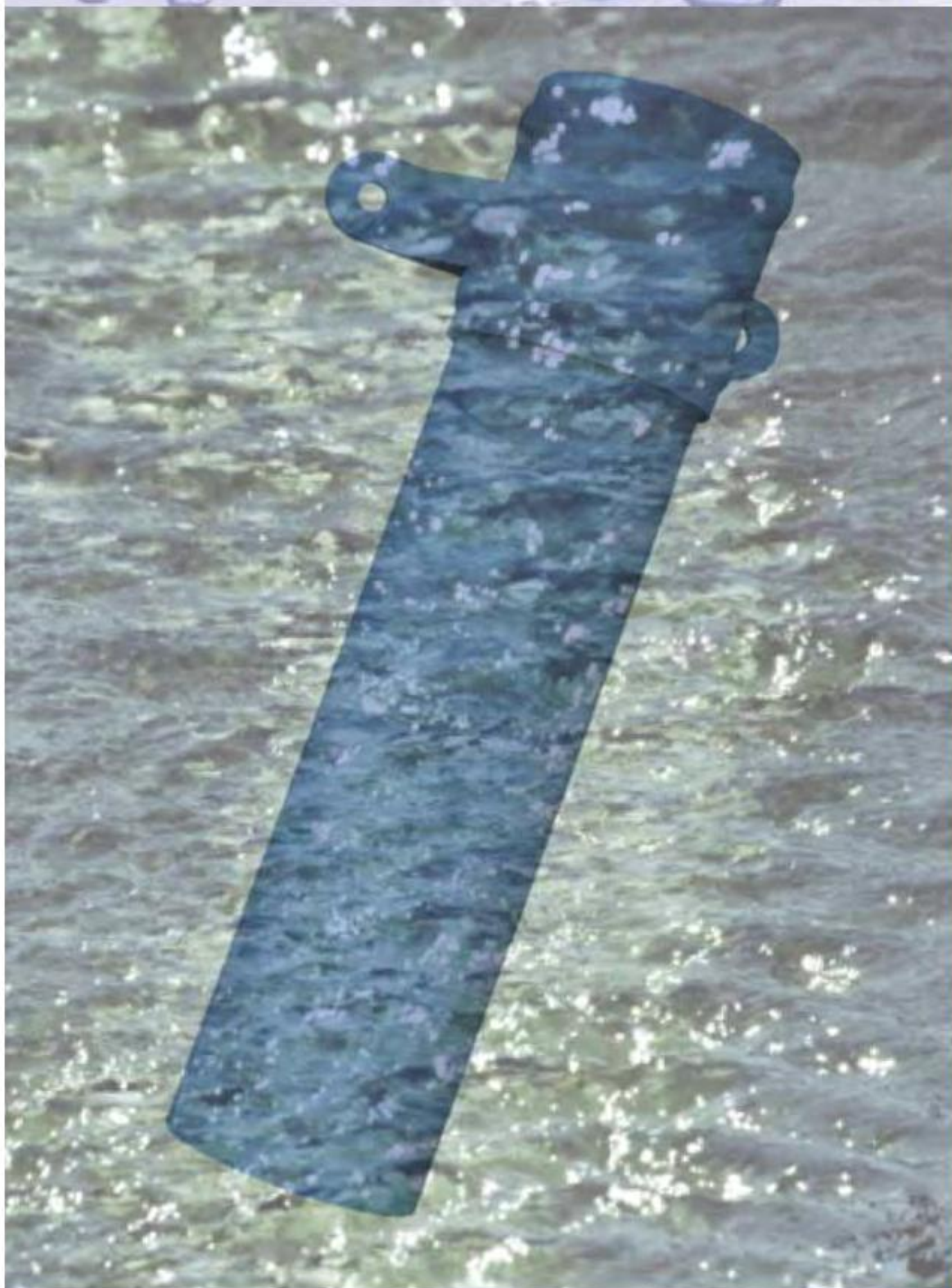
Tel:0116 2894400

Fax:0116 2894433

E-mail:sales@arp-ltd.com

Web:www.arp-ltd.com

“Colonnade”
Round Cast Collared Downpipe



**R
o
u
n
d
C
a
s
t
C
o
l
l
a
r
e
d
D
o
w
n
p
i
p
e**



Unit 2, Vitruvius Way
Meridian Business Park
Braunstone
Leicester
LE19 3WA

Tel: 0116 2894400

Fax: 0116 2894433

E-mail: sales@arp-ltd.com

Web: www.arp-ltd.com

“Colonnade”

Round Cast Collared Downpipe

R
O
U
N
D
C
A
S
T
C
O
L
L
A
R
E
D
D
O
W
N
P
I
P
E

Description:

Round downpipe formed from extruded 6060 T4 aluminium in conjunction with a LM27 Cast Collar in various sizes (63mm, 76mm & 101mm) & supplied with a complete range of accessories ie offsets, bends, shoes, pipe clips.

Installation & Jointing:

Ensure vertical alignment between drain & gutter outlet.

Collars to be fixed with plastic wall plugs & No.14 x 38mm st.stl screws (dependant on substrate).

Joints to be made up of Ø6mm backing foam caulked into the joint & finished off with sealant to acceptable standard. Touch up is supplied to coat all cut edges.



Typical section through Collar

“Colonnade” Round Cast Collared Downpipe

Composition & Manufacture:

‘Colonnade’ downpipes are manufactured from Aluminium alloy 6060 T4 to BS1474: 1972 & the product complies to, or exceeds all relevant standards. Cast Collars are manufactured from LM27 aluminium. Fittings for the downpipes are formed using fabrication methods involving cut, mitre & welding techniques using specially made jig & forming tools.

Finish:

Mill Finish Aluminium or Polyester Powder Coated to a range of BS or RAL Colours.

Model Specification:

ARP heavy grade ‘Colonnade’ Cast Eared-Downpipes & fittings to BS 2997 (EN612) using 6060 T4 grade extruded aluminium in accordance with BS 1474: 1974. Profile to be Round*, size Ø63mm (1.6mm), Ø76mm (1.6mm), Ø101mm (1.6mm).*

Materials to have factory applied Polyester Powder Coat to all significant surfaces in accordance with BS EN 122026 Matt/Satin/Gloss* finish, or alternatively plain aluminium Mill Finish. All to be supplied by Aluminium Roofline Products Ltd, Unit 2, Vitruvius Way, Meridian Business Park, Braunstone, Leicester LE19 1WA. Tel 0116 2894400 Fax 0116 2894433.

Joints to be sealed by application of backing foam & Arbosil 1096 Low Modulus Silicone Sealant & fastened by No.14 x 38mm (dependant on substrate) stainless steel screws, in accordance with the manufacturer’s specification & guidelines. Downpipes to be fixed at 2m centres maximum with supplementary brackets at or near fittings.

* Delete as appropriate

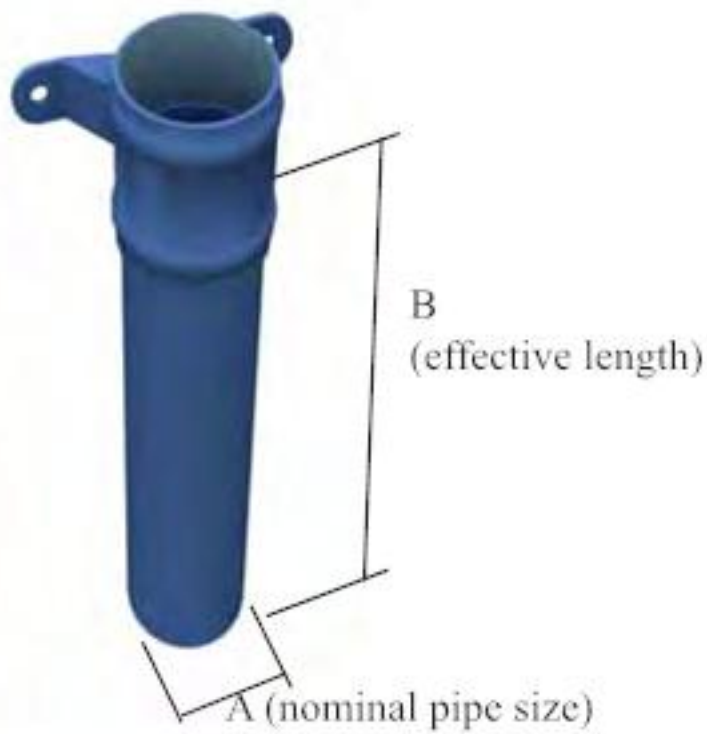


R
O
U
N
D
C
A
S
T
C
O
L
L
A
R
E
D
D
O
W
N
P
I
P
E

“Colonnade”

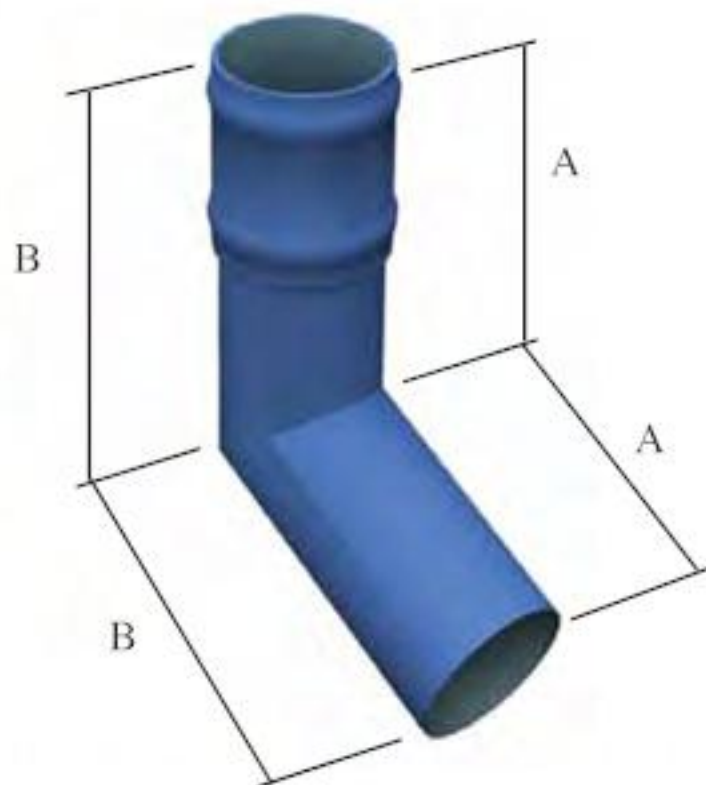
Round Cast Collared Downpipe

Downpipe Lengths



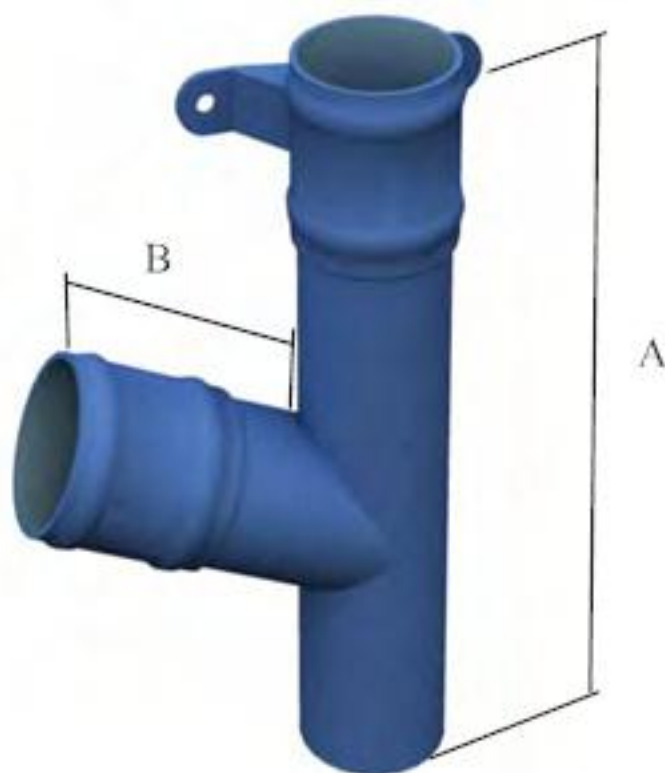
A (mm)	Code B=3.0m	Code B=2.5m	Code B=2.0m	Code B=1.0m	Code B=0.5m
63	2RDP3CE	2RDP2.5CE	2RDP2CE	2RDP1CE	2RDP0.5CE
76	3RDP3CE	3RDP2.5CE	3RDP2CE	3RDP1CE	3RDP0.5CE
101	4RDP3CE	4RDP2.5CE	4RDP2CE	4RDP1CE	4RDP0.5CE

Bends



Pipe Size (mm)	Code	A (mm)	B (mm)	Code	A (mm)	B (mm)	Code	A (mm)	B (mm)
63	2RB92CC	120	180	2RB112CC	120	160	2RB135CC	120	145
76	3RB92CC	120	192	3RB112CC	120	170	3RB135CC	120	150
101	4RB92CC	120	215	4RB112CC	120	185	4RB135CC	120	165

“Colonnade” Round Cast Collared Downpipe



Pipe Size (mm)	Code	A (mm)	B (mm)	Code	A (mm)	B (mm)	Code	A (mm)	B (mm)
	92.5°			112.5°			135°		
63	2RY92CC	300	160	2RY112CC	300	160	2RY135CC	300	160
76	3RY92CC	300	160	3RY112CC	300	160	3RY135CC	300	160
101	4RY92CC	340	160	4RY112CC	340	160	4RY135CC	340	160



Pipe Size (mm)	Code	A (mm)	B (mm)
63	2RSCE	82	21
76	3RSCE	88	13
101	4RSCE	95	10

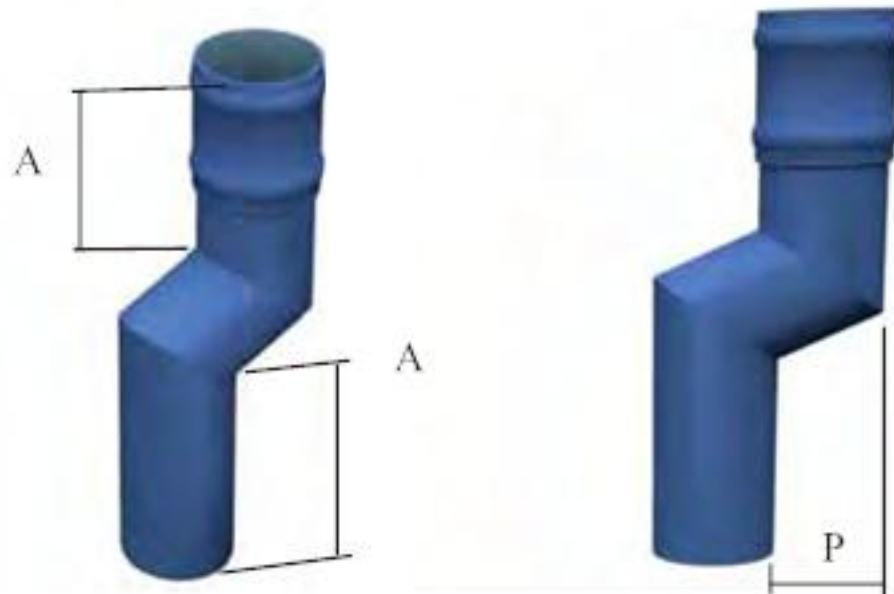
Round Cast Collared Downpipe

“Colonnade”

Round Cast Collared Downpipe

One part Swan-necks

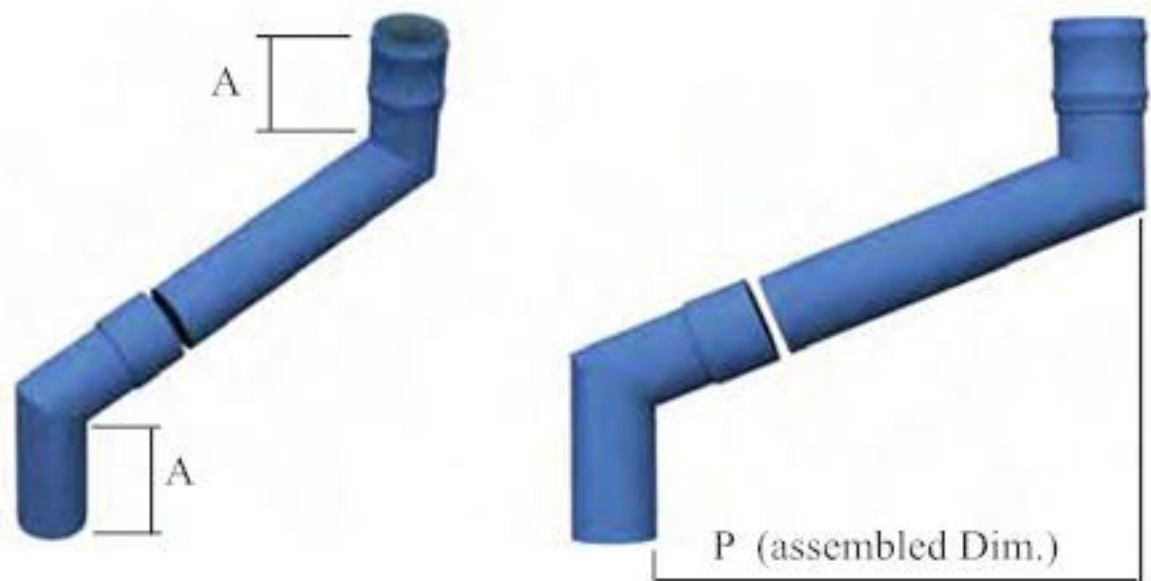
One part swan-necks are supplied 112.5° as standard. Plinth offsets are supplied 135° as standard. Please specify other requirements.



Pipe Size (mm)	A (mm)	Code P=40mm	Code P=63mm	Code P=75mm	Code P=100mm	Code P=150mm
63	120	2RSNC40/1	2RSNC63/1	2RSNC75/1	2RSNC100/1	2RSNC150/1
76	120	3RSNC40/1	3RSNC63/1	3RSNC75/1	3RSNC100/1	3RSNC150/1
101	120	4RSNC40/1	4RSNC63/1	4RSNC75/1	4RSNC100/1	4RSNC150/1

Two part Swan-necks

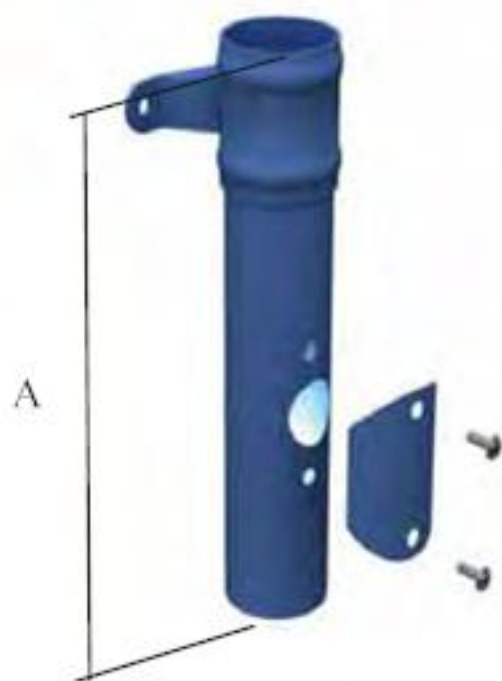
Two part swan-necks are supplied 112.5° as standard. Please specify other requirements.



Pipe Size (mm)	A (mm)	Code P=150mm	Code P=300mm	Code P=450mm	Code P=600mm	Code P=750mm
63	120	2RSNC150/2	2RSNC300/2	2RSNC450/2	2RSNC600/2	2RSNC750/2
76	120	3RSNC150/2	3RSNC300/2	3RSNC450/2	3RSNC600/2	3RSNC750/2
101	120	4RSNC150/2	4RSNC300/2	4RSNC450/2	4RSNC600/2	4RSNC750/2

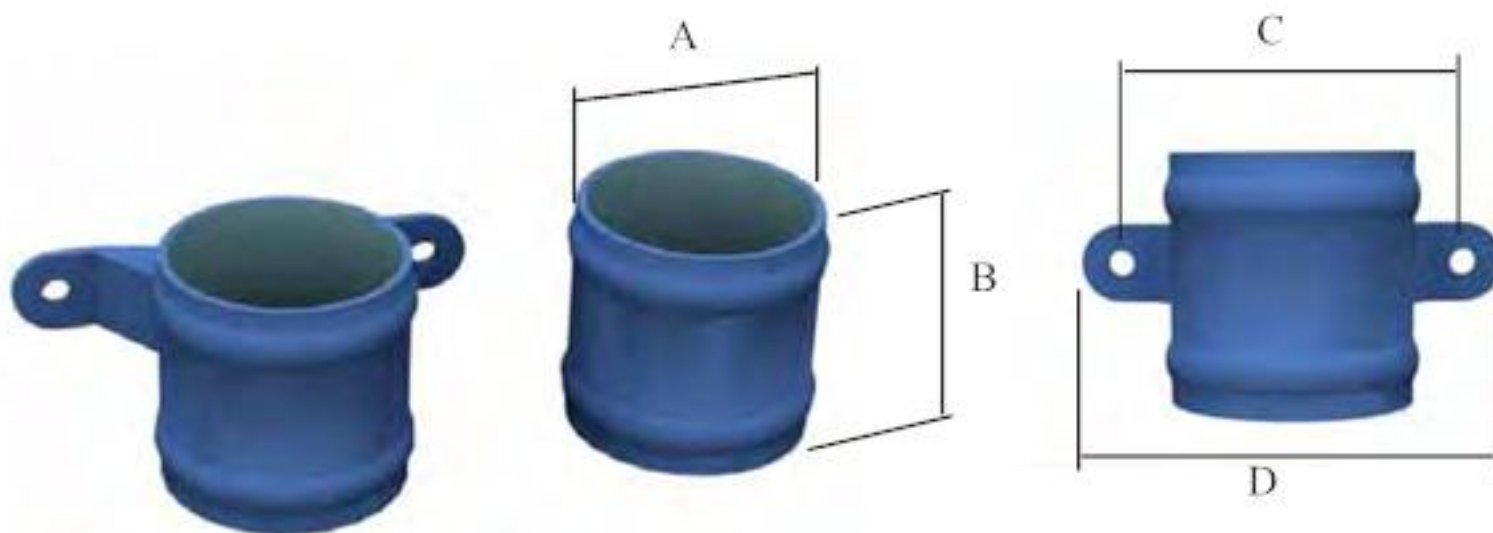
“Colonnade” Round Cast Collared Downpipe

Access Pipe



Pipe Size (mm)	Code	A (mm)
63	2RAPPCE	300
76	3RAPPCE	300
101	4RAPPCE	300

Loose Collars

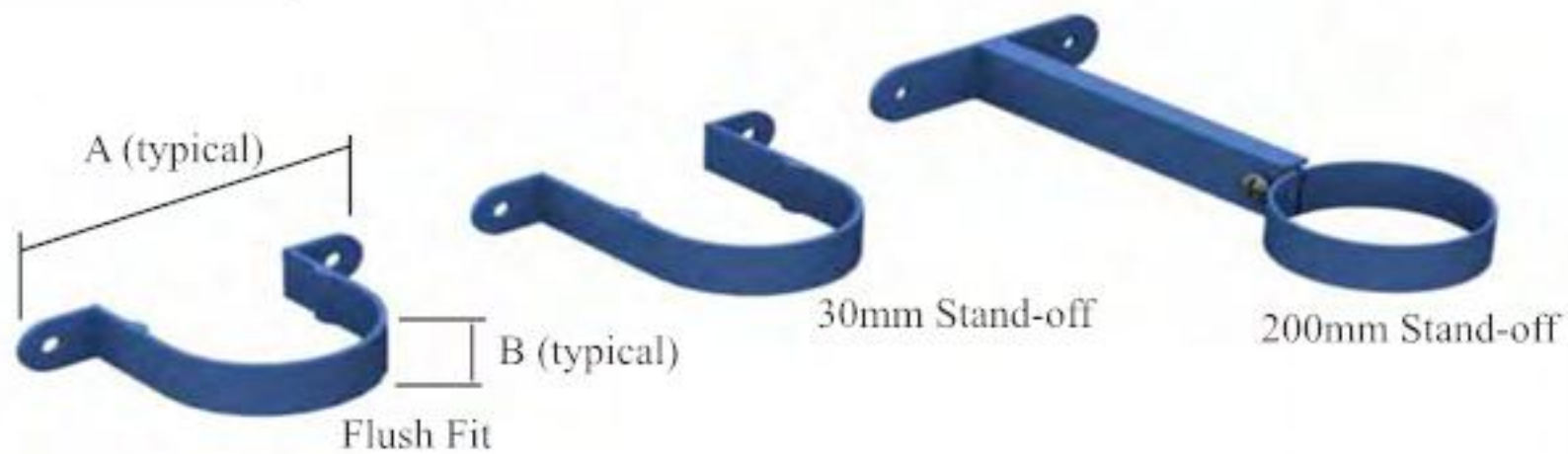


Pipe Size (mm)	Code Eared	Code Plain	A (mm)	B (mm)	C (mm)	D (mm)
63	2RCCE	2RCC	78	76	120	151
76	3RCCE	3RCC	90	86	125	158
101	4RCCE	4RCC	117	101	154	184

Round Cast Collared Downpipe

“Colonnade”

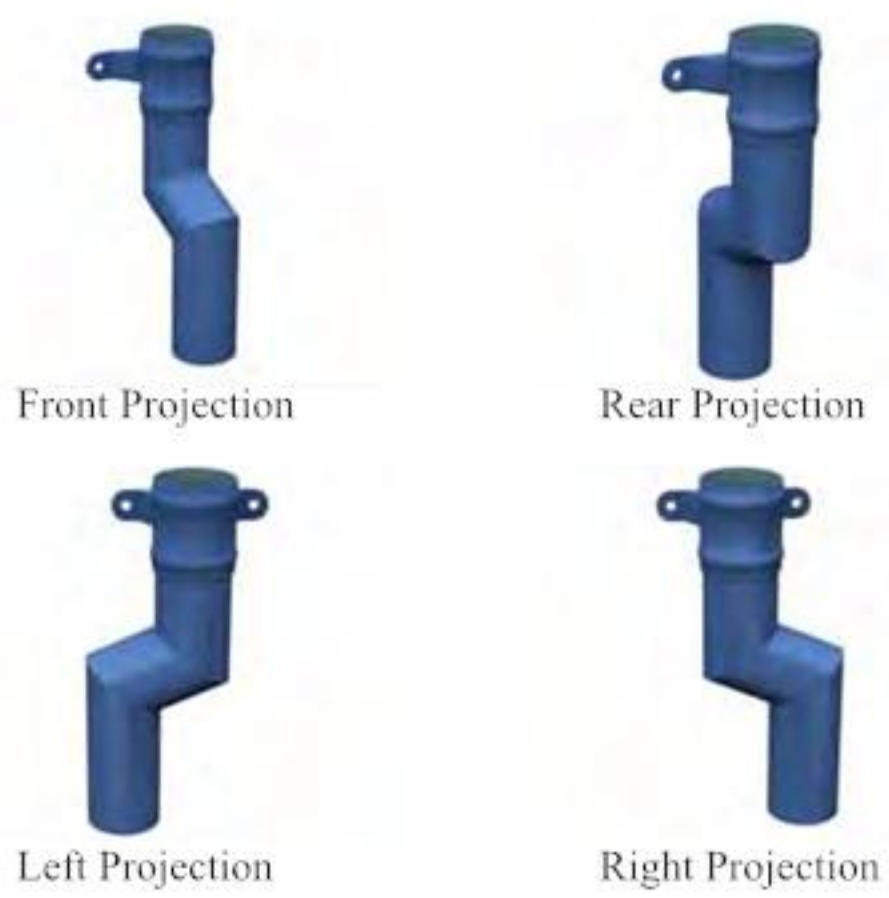
Round Cast Collared Downpipe



Pipe Size (mm)	A (mm)	B (mm)	Code	Code	Code
			Flush Fit	30mm s/off	200mm s/off
63	125	25	2RPCFF	2RPC30	2RPCSO200
76	145	25	3RPCFF	3RPC30	3RPCSO200
101	170	25	4RPCFF	4RPC30	4RPCSO200



1. When ordering items such as swan-necks, bends, & Y-Branches combined with eared cast collars it is necessary to specify the orientation of the collar.



“Colonnade”

Square & Rectangular Cast Collared Downpipe



S
q
u
a
r
e
C
a
s
t
C
o
l
l
a
r
e
D
o
w
n
p
i
p
e



Unit 2 Vitruvius Way
Meridian Business Park
Braunstone
Leicester
LE19 1WA

Tel: 0116 2894400

Fax: 0116 2894433

E-mail: sales@arp-ltd.com

Web: www.arp-ltd.com

“Colonnade”

Square & Rectangular Cast Collared Downpipe

S
q
u
a
r
e
C
a
s
t
C
o
l
l

Description:

Square & Rectangular downpipe formed from extruded 6060 T4 aluminium in conjunction with a LM27 Cast Collar in various sizes (76mm, 101mm & 101x76mm) & supplied with a complete range of accessories ie offsets, bends, shoes, pipe clips.

Installation & Jointing:

Ensure vertical alignment between drain & gutter outlet.

Collars to be fixed with plastic wall plugs & No.14 x 38mm st.stl screws (dependant on substrate).

Joints to be made up of Ø6mm backing foam caulked into the joint & finished off with sealant to acceptable standard.

See Fig 1.

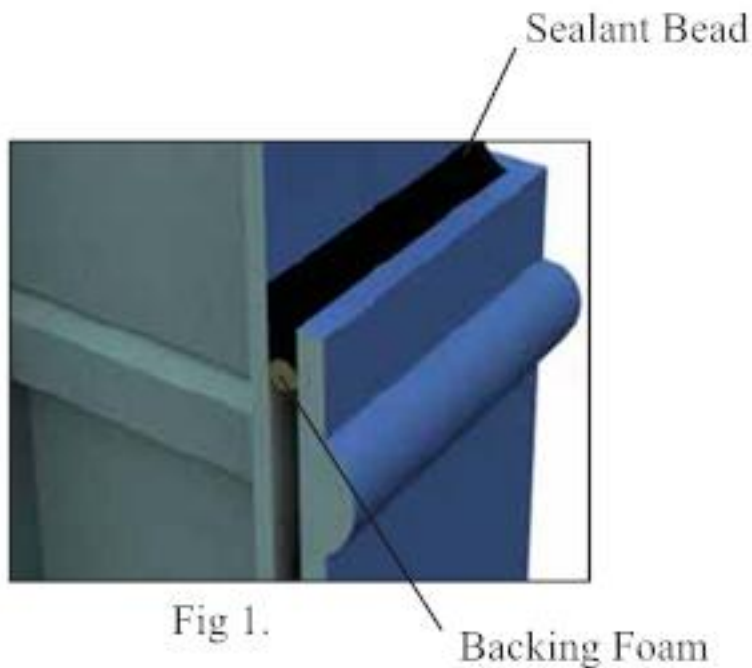
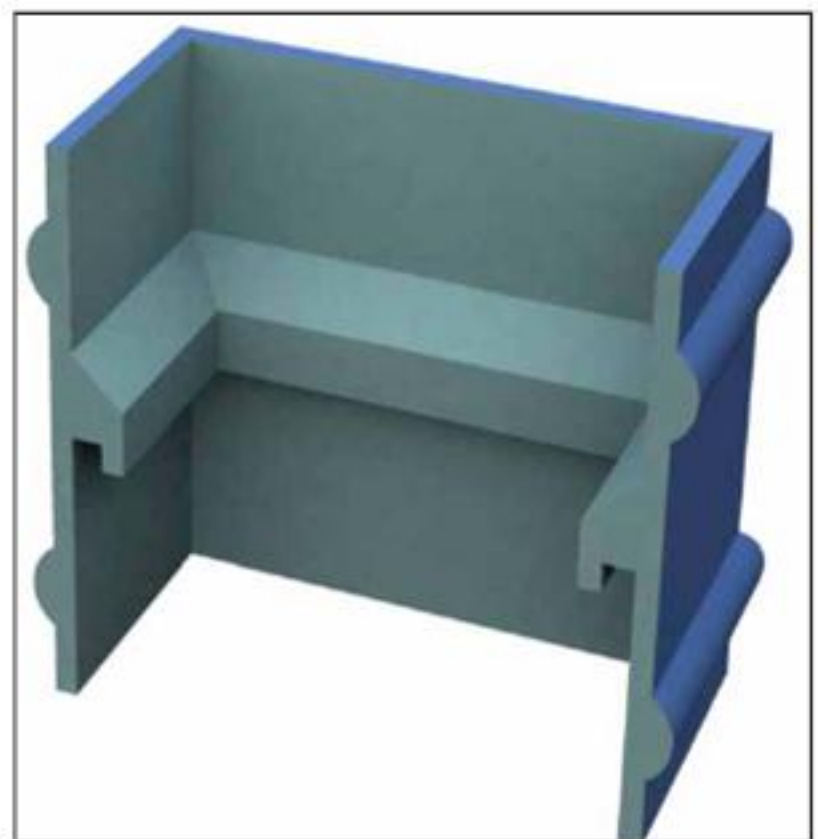


Fig 1.



Typical section through Collar

“Colonnade” Square & Rectangular Cast Collared Downpipe

Composition & Manufacture:

‘Colonnade’ downpipes are manufactured from Aluminium alloy 6060 T4 to BS1474: 1972 & the product complies to, or exceeds all relevant standards. Cast Collars are manufactured from LM27 aluminium. Fittings for the downpipes are formed using fabrication methods involving cut, mitre & welding techniques using specially made jig & forming tools.

Finish:

Mill Finish Aluminium or Polyester Powder Coated to a range of BS or RAL Colours.

Model Specification:

ARP heavy grade ‘Colonnade’ Cast Eared Downpipes & fittings to BS 2997 (EN612) using 6060 T4 grade extruded aluminium in accordance with BS 1474: 1974.

Profile to be Square/Rectangular*, size 76 x 76 (1.6mm), 101 x 76 (1.6mm), 101 x 76 (1.6mm)*

Materials to have factory applied Polyester Powder Coat to all significant surfaces in accordance with BS EN 122026 Matt/Satin/Gloss* finish, or alternatively plain aluminium Mill Finish. All to be supplied by Aluminium Roofline Products Ltd, Unit 2, Vitruvius Way, Meridian Business Park, Braunstone, Leicester LE19 1WA. Tel 0116 2894400 Fax 0116 2894433.

Joints to be sealed by application of backing foam & Arbosil 1096 Low Modulus Silicone Sealant & fastened by No.14 x 38mm (dependant on substrate) stainless steel screws, in accordance with the manufacturer’s specification & guidelines. Downpipes to be fixed at 2m centres maximum with supplementary brackets at or near fittings.

* Delete as appropriate



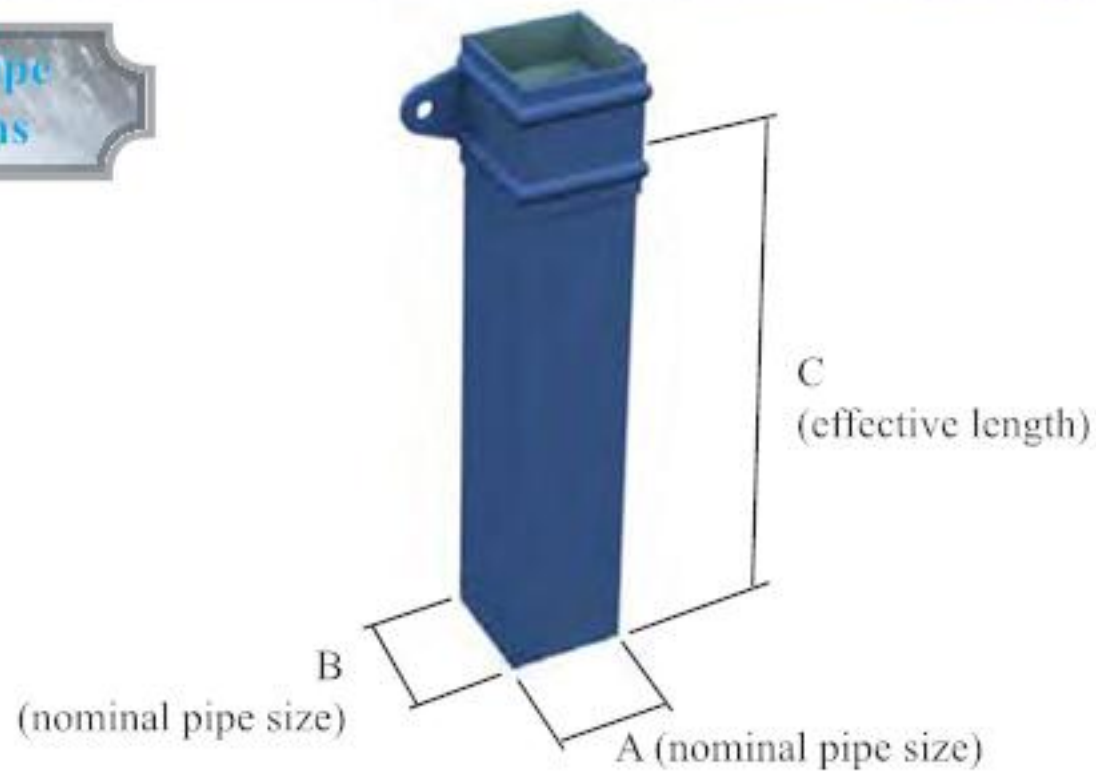
S
q
u
a
r
e
C
a
s
t
C
o
l
l
a
r
e
d
D
o
w
n
p
i
p
e

S
q
u
a
r
e
C
a
s
t
C
o
l
l

“Colonnade”

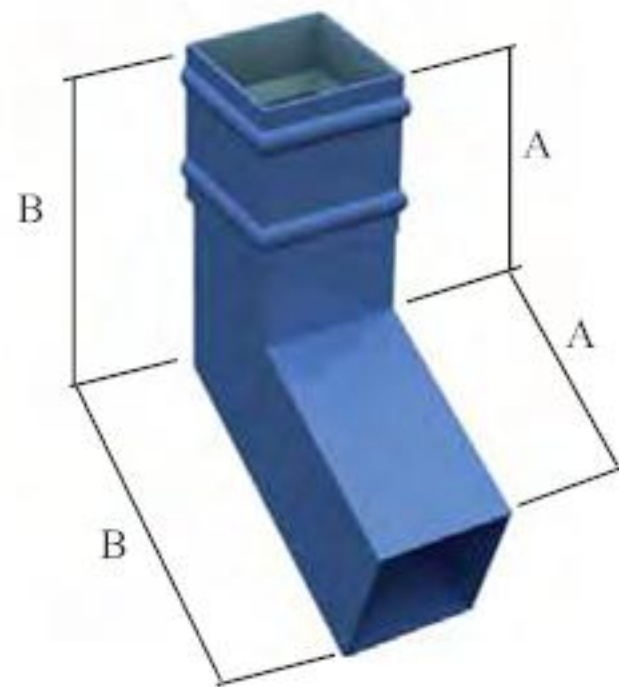
Square & Rectangular Cast Collared Downpipe

Downpipe Lengths



A (mm)	B (mm)	Code C=3.0m	Code C=2.5m	Code C=2.0m	Code C=1.0m	Code C=0.5m
76	76	3SDP3CE	3SDP2.5CE	3SDP2CE	3SDP1CE	3SDP0.5CE
101	76	43DP3CE	43DP2.5CE	43DP2CE	43DP1CE	43DP0.5CE
101	101	4SDP3CE	4SDP2.5CE	4SDP2CE	4SDP1CE	4SDP0.5CE

Bends



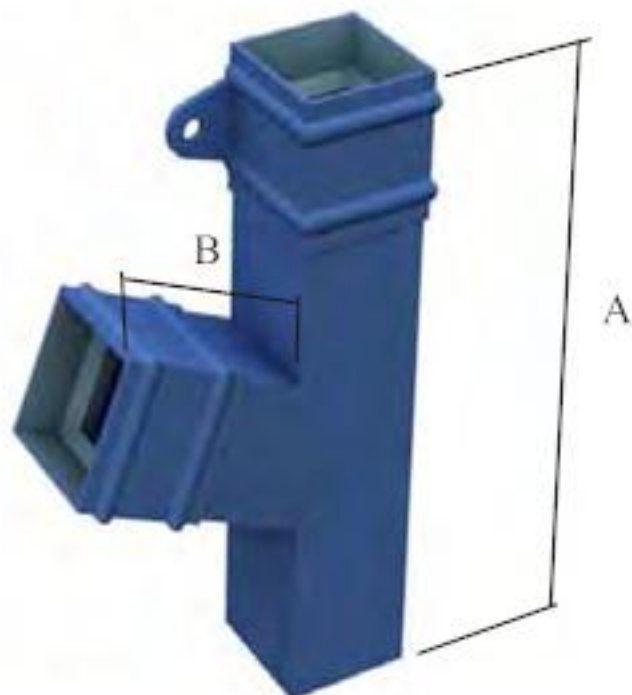
Forward facing bend shown. See p.37 for more details.

Pipe Size (mm)	Code	A (mm)	B (mm)	Code	A (mm)	B (mm)	Code	A (mm)	B (mm)
76x76	3SB92CC	120	190	3SB112CC	120	170	3SB135CC	120	150
101x76	43B92CC	120	190	43B112CC	120	170	43B135CC	120	150
101x101	4SB92CC	120	215	4SB112CC	120	190	4SB135CC	120	160

“Colonnade”

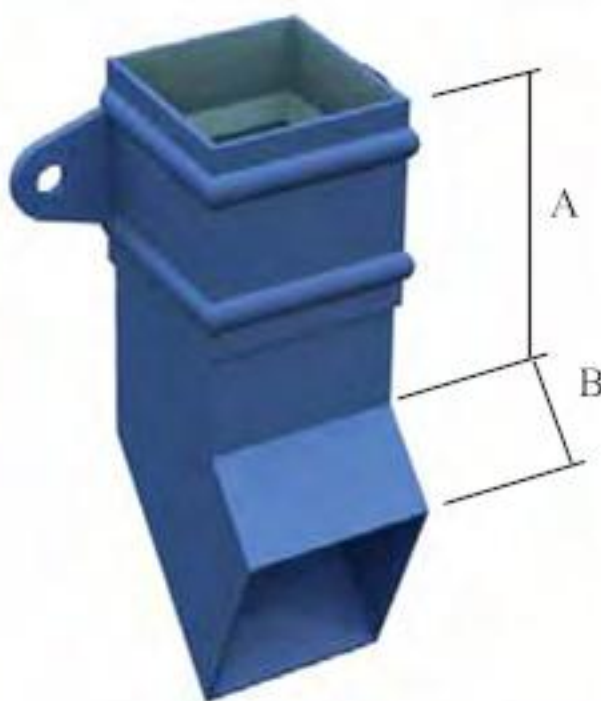
Square & Rectangular Cast Collared Downpipe

Y-Branch



Pipe Size (mm)	Code	A (mm)	B (mm)	Code	A (mm)	B (mm)	Code	A (mm)	B (mm)
76x76	3SY92CC	300	160	3SY112CC	300	160	3SY135CC	300	160
101x76	43Y92CC	300	160	43Y112CC	340	160	43Y135CC	340	160
101x101	4SY92CC	340	160	4SY112CC	340	160	4SY135CC	340	160

Shoe



Pipe Size (mm)	Code	A (mm)	B (mm)
76x76	3SSCE	120	40
101x76	43SCE	120	40
101x101	4SSCE	120	40

S
q
u
a
r
e
C
a
s
t
C
o
l
l
a
r
e
D
o
w
n
p
i
p
e

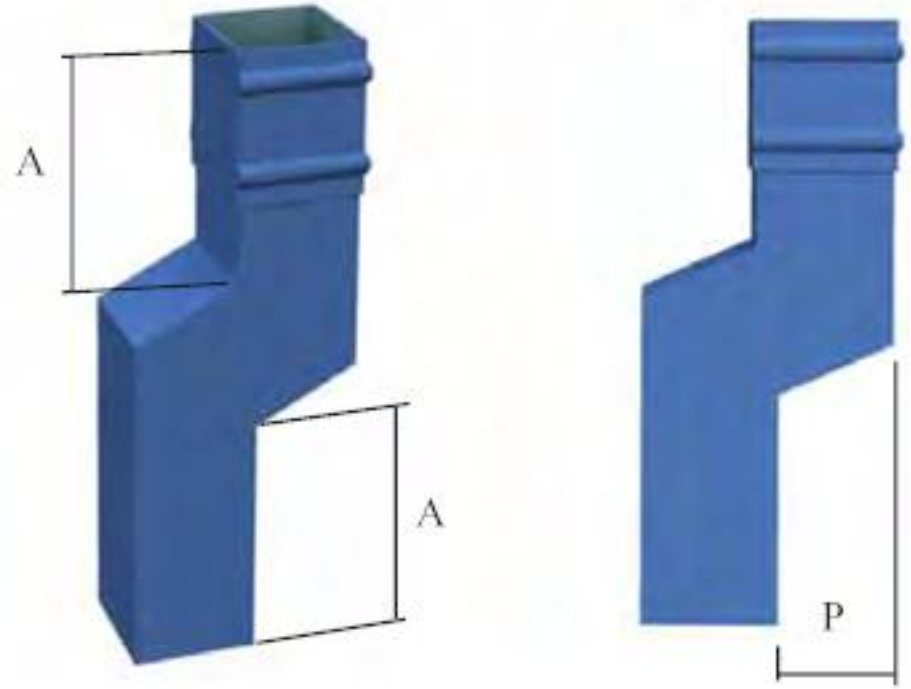
S
q
u
a
r
e
C
a
s
t

“Colonnade”

Square & Rectangular Cast Collared Downpipe

One part Swan-necks

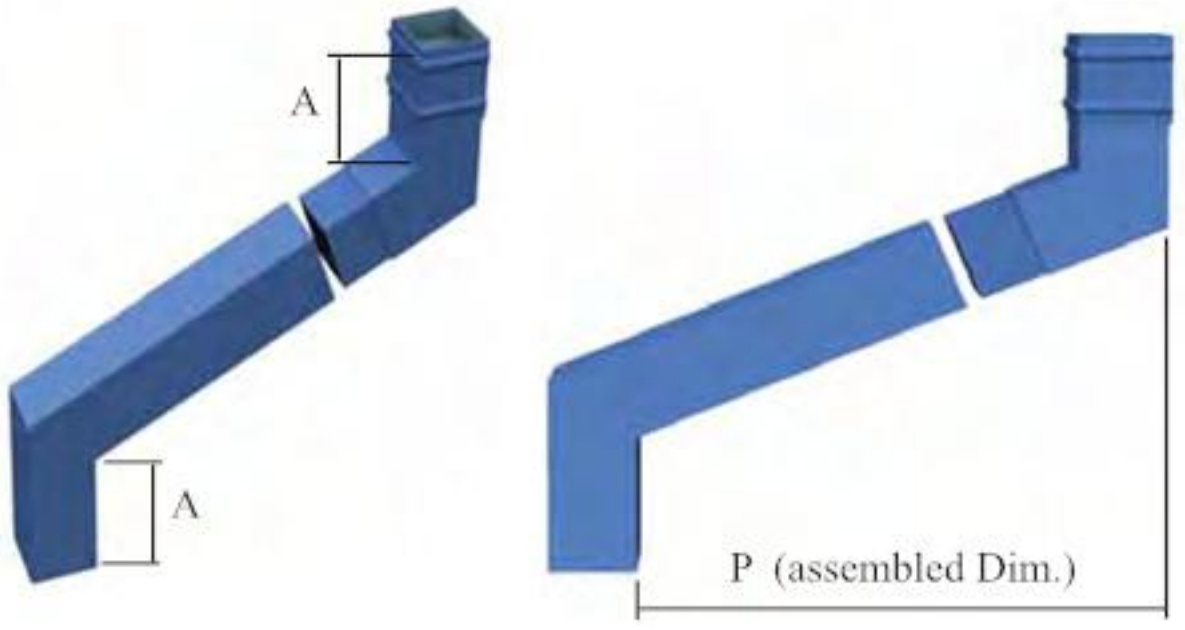
One part swan-necks are supplied 112.5° as standard. Plinth offsets are supplied 135° as standard. Please specify other requirements. Rear projection shown, please see p.37



Pipe Size (mm)	A (mm)	Code P=40mm	Code P=63mm	Code P=75mm	Code P=100mm	Code P=150mm
76x76	120	3SSNC40/1	3SSNC63/1	3SSNC75/1	3SSNC100/1	3SSNC150/1
101x76	120	43SNC40/1	43SNC63/1	43SNC75/1	43SNC100/1	43SNC150/1
101x101	120	4SSNC40/1	4SSNC63/1	4SSNC75/1	4SSNC100/1	4SSNC150/1

Two part Swan-necks

Two part swan-necks are supplied 112.5° as standard. Please specify other requirements. Rear projection shown, please see p.37



Pipe Size (mm)	A (mm)	Code P=150mm	Code P=300mm	Code P=450mm	Code P=600mm	Code P=750mm
76x76	120	3SSNC150/2	3SSNC300/2	3SSNC450/2	3SSNC600/2	3SSNC750/2
101x76	120	43SNC150/2	43SNC300/2	43SNC450/2	43SNC600/2	43SNC750/2
101x101	120	4SSNC150/2	4SSNC300/2	4SSNC450/2	4SSNC600/2	4SSNC750/2



Unit 2 Vitruvius Way
Meridian Business Park
Braunstone
Leicester
LE19 1WA

Tel: 0116 2894400

Fax: 0116 2894433

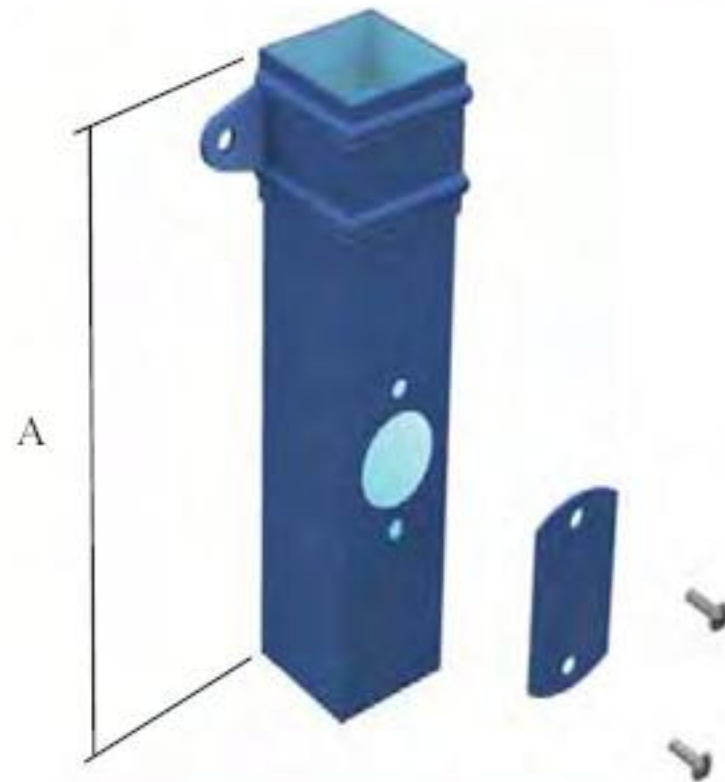
E-mail: sales@arp-ltd.com

Web: www.arp-ltd.com

“Colonnade”

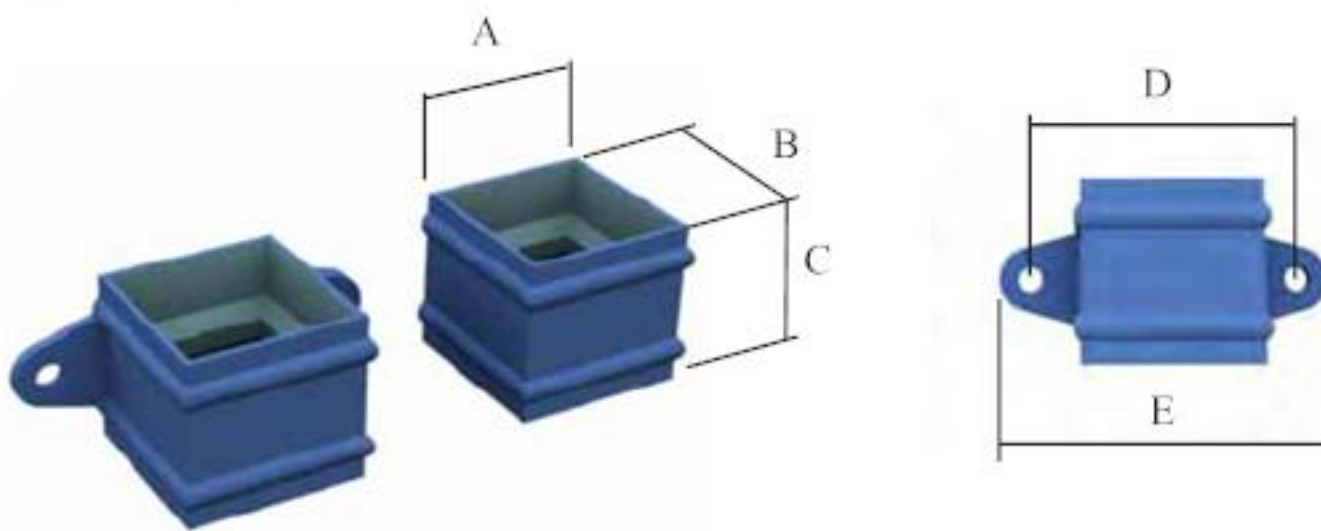
Square & Rectangular Cast Collared Downpipe

Access Pipe



Pipe Size (mm)	Code	A (mm)
76x76	3SAPPCE	300
101x76	43APPCE	300
101x101	4SAPPCE	300

Loose Collars



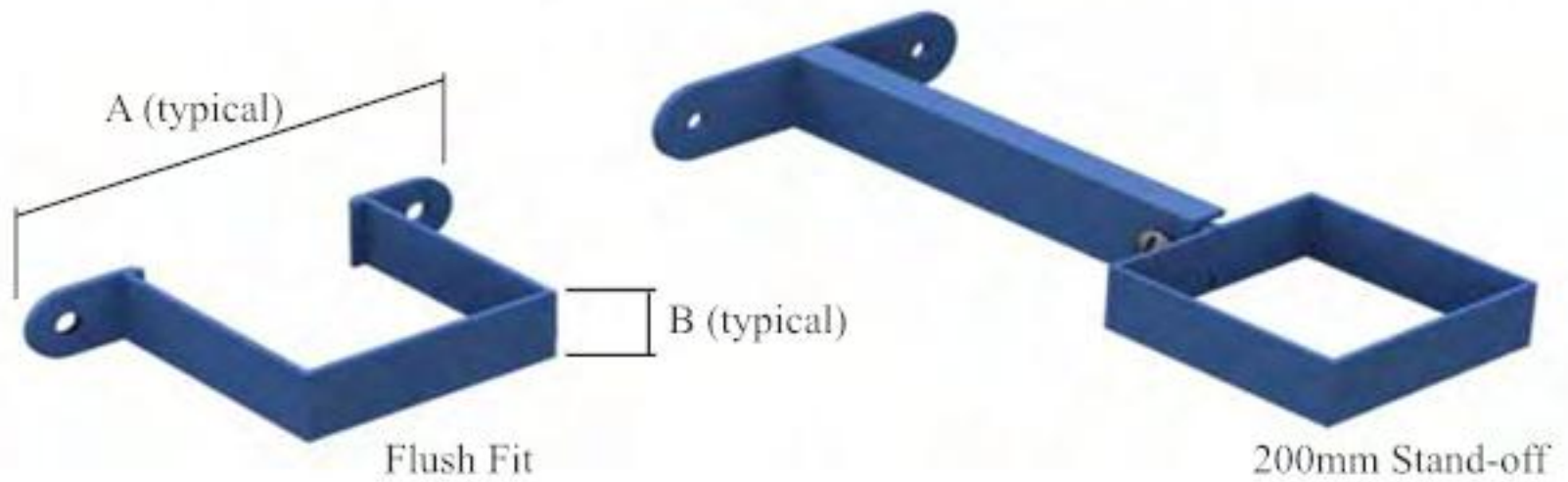
Pipe Size (mm)	Code Eared	Code Plain	A (mm)	B (mm)	C (mm)	D (mm)	E (mm)
76x76	3SCCE	3SCC	86	88	80	135	165
101x76	43CCE	43CC	112	88	80	160	190
101x101	4SCCE	4SCC	112	112	80	160	190

S
q
u
a
r
e
C
a
s
t
C
o
l
l
a
r
e
d
D
o
w
n
p
i
p
e

S
q
u
a
r
e
C
a
s
t
C
o
l
l
a
r
e
d
D
o
w
n
p
i
p
e

“Colonnade”

Square & Rectangular Cast Collared Downpipe



Pipe Size (mm)	A (mm)	B (mm)	Code	Code
76x76	136	25	3SPCFFS	3SPCSO200S
101x76	168	25	43PCFFS	43PCSO200S
101x101	168	25	4SPCFFS	4SPCSO200S



- Downpipes when supplied with cast collars will be square shouldered unless otherwise requested
- When ordering items such as swan-necks, bends, & Y-Branches combined with cast collars (plain or eared) it is necessary to specify the orientation of the collar.



Unit 2 Vitruvius Way
Meridian Business Park
Braunstone
Leicester
LE19 1WA

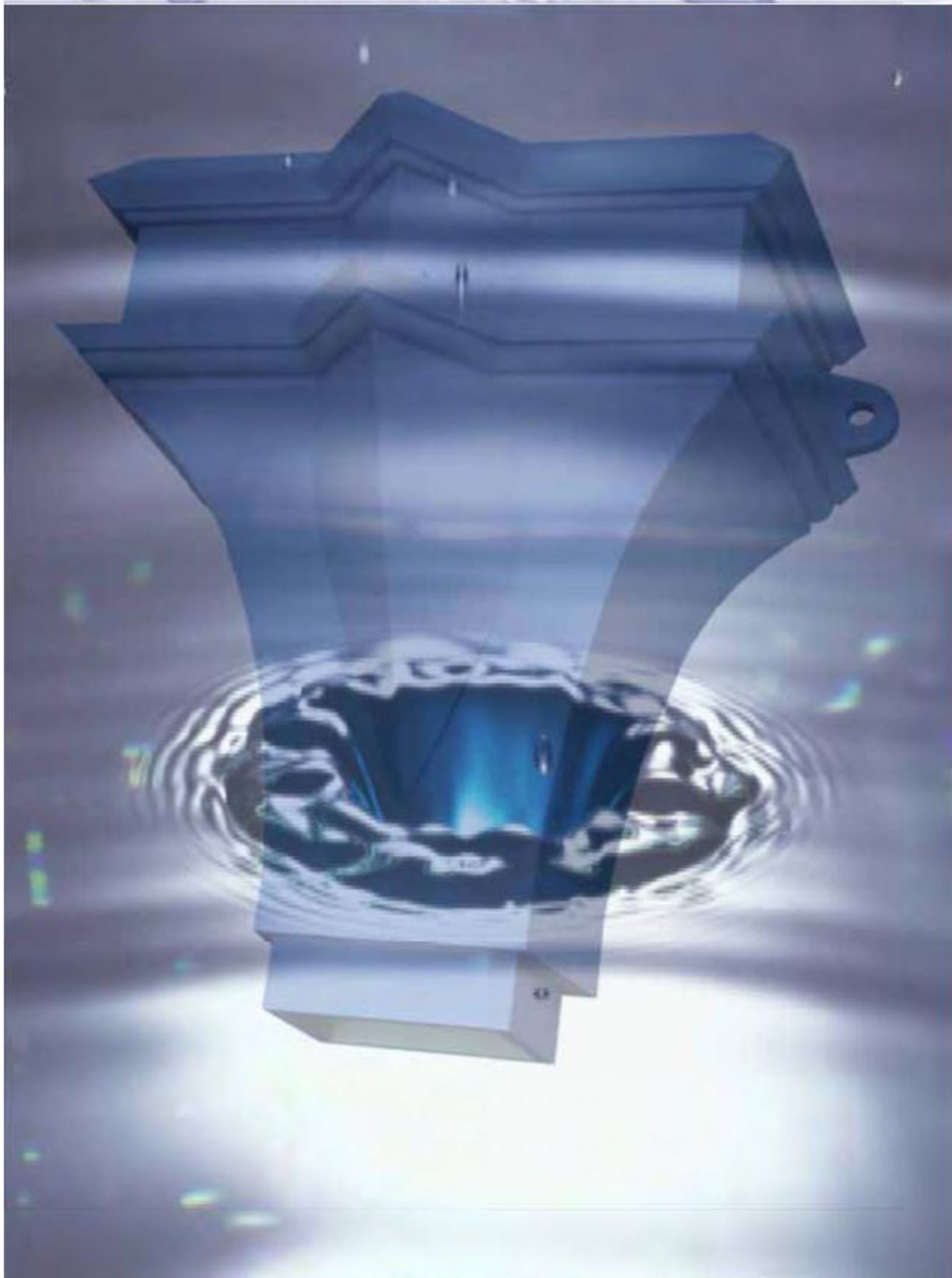
Tel:0116 2894400

Fax:0116 2894433

E-mail:sales@arp-ltd.com

Web:www.arp-ltd.com

“Colonnade” Hoppers



H
O
P
P
E
R
S



Unit 2, Vitruvius Way
Meridian Business Park
Braunstone
Leicester
LE19 3WA

Tel: 0116 2894400

Fax: 0116 2894433

E-mail: sales@arp-ltd.com

Web: www.arp-ltd.com

“Colonnade” Hoppers

Description:

A range of decorative hoppers manufactured from cast aluminium (LM27) or fabricated using 2mm aluminium sheet (1050AH14).

Installation:

Hopper heads should be secured to the wall through either pre-cast holes or drilled on site & fixed back using plastic wall plugs & 5mm x 50mm st.stl screws (dependant on substrate).

Finish:

Mill Finish Aluminium or Polyester Powder Coated to a range of BS or RAL Colours.



H
O
P
P
E
R
S

“Colonnade” Hoppers

Model Specification:Cast Hoppers

ARP ‘Colonnade’ Cast Aluminium Hopper Type , Outlet size to be mm, Round/Square/Rectangular*

Materials to have factory applied Polyester Powder Coat to all significant surfaces in accordance with BS EN 12206 Matt/Satin/Gloss* finish, or alternatively plain aluminium Mill Finish. All to be supplied by Aluminium Roofline Products Ltd, Unit 2, Vitruvius Way, Meridian Business Park, Braunstone, Leicester LE19 1WA. Tel 0116 2894400 Fax 0116 2894433.

To be fastened by 5mm x 50mm (dependant on substrate) stainless steel screws, in accordance with the manufacturer’s specification & guidelines.

* Delete as appropriate

Model Specification:Fabricated Hoppers

ARP ‘Colonnade’ Fabricated Aluminium Hopper Type ,Outlet size to be mm ,Round/Square/Rectangular*

Materials to have factory applied Polyester Powder Coat to all significant surfaces in accordance with BS EN 122026 Matt/Satin/Gloss* finish, or alternatively plain aluminium Mill Finish. All to be supplied by Aluminium Roofline Products Ltd, Unit 2, Vitruvius Way, Meridian Business Park, Braunstone, Leicester LE19 1WA. Tel 0116 2894400 Fax 0116 2894433.

To be fastened by 5mm x 50mm (dependant on substrate) stainless steel screws, in accordance with the manufacturer’s specification & guidelines.

* Delete as appropriate



H
O
P
P
E
R
S

“Colonnade” Hoppers - Fabricated

H
O
P
P
E
R
S



Width (mm)	Depth (mm)	Height (mm)
305	190	190



Width (mm)	Depth (mm)	Height (mm)
228	190	190



Width (mm)	Depth (mm)	Height (mm)
240	240	190



Width (mm)	Depth (mm)	Height (mm)
280	150	280

For available outlet sizes see page 48.

“Colonnade” Hoppers - Fabricated

Saturn



Hopper size	Width (mm)	Depth (mm)	Height (mm)
Small	280	215	200
Large	310	245	230

Faunus



Width (mm)	Depth (mm)	Height (mm)
370	185	230

Lares



Width (mm)	Depth (mm)	Height (mm)
450	200	200

Numina



Width (mm)	Depth (mm)	Height (mm)
275	275	375

For available outlet sizes see page 48.

H
O
P
P
E
R
S

“Colonnade” Hoppers - Fabricated

H
O
P
P
E
R
S

Mercury



Width (mm)	Depth (mm)	Height (mm)
305	200	450

Venus



Width (mm)	Depth (mm)	Height (mm)
505	330	500

Diana



Width (mm)	Depth (mm)	Height (mm)
375	200	400

For available outlet sizes see page 48.

“Colonnade” Hoppers - Cast

Carinus



Width (mm)	Depth (mm)	Height (mm)
255	177	177

Avitus



Width (mm)	Depth (mm)	Height (mm)
250	165	185

Claudius



Width (mm)	Depth (mm)	Height (mm)
305	160	125

Nero



Width (mm)	Depth (mm)	Height (mm)
320	195	230

For available outlet sizes see page 48.

H
O
P
P
E
R
S

**“Colonnade”
Hoppers - Cast**

**H
O
P
P
E
R
S**

Marcus



Hopper size	Width (mm)	Depth (mm)	Height (mm)
Small	330	152	265
Large	457	203	350

Lucius



Width (mm)	Depth (mm)	Height (mm)
345	215	355

Augustus



Width (mm)	Depth (mm)	Height (mm)
400	175	160

Romulus



Width (mm)	Depth (mm)	Height (mm)
355	235	325

For available outlet sizes see page 48

“Colonnade” Hoppers - Cast

Arcadius



Width (mm)	Depth (mm)	Height (mm)
410	205	213

Hadrian



Width (mm)	Depth (mm)	Height (mm)
445	205	150

Constantine



Width (mm)	Depth (mm)	Height (mm)
460	205	305

Antonius



Width (mm)	Depth (mm)	Height (mm)
415	205	433

For available outlet sizes see page 48

**H
O
P
P
E
R
S**

“Colonnade” Hoppers - Cast

H
O
P
P
E
R
S

Cassius



Width (mm)	Depth (mm)	Height (mm)
475	205	530

Julius



Width (mm)	Depth (mm)	Height (mm)
620	240	482

Maximus



Width (mm)	Depth (mm)	Height (mm)
380	185	180

Commodus



Width (mm)	Depth (mm)	Height (mm)
205	205	465

For available outlet sizes see page 48.

“Colonnade” Hoppers

Hopper Outlet Sizes:

The table below outlines standard outlet sizes for our range of Hopper Heads. In some instances hoppers can be modified to accept other outlet sizes to those shown, please enquire.

Outlet size	Code Ø63mm	Code Ø76mm	Code Ø101mm	Code 63mm Sq	Code 76mm Sq	Code 101x76mm	Code 101mm Sq
Apollo	HAPOL2R	HAPOL3R	HAPOL4R	HAPOL2S	HAPOL3S	HAPOL43	HAPOL4S
Juno	HJUNO2R	HJUNO3R	HJUNO4R	HJUNO2S	HJUNO3S	HJUNO43	HJUNO4S
Minerva	HMINE2R	HMINE3R	HMINE4R	HMINE2S	HMINE3S	HMINE43	HMINE4S
Neptune	HNEPT2R	HNEPT3R	HNEPT4R	HNEPT2S	HNEPT3S	HNEPT43	HNEPT4S
Saturn(sml)	HSATS2R	HSATS3R	HSATS4R	HSATS2S	HSATS3S	HSATS43	HSATS4S
Saturn(lge)	HSATL2R	HSATL3R	HSATL4R	HSATL2S	HSATL3S	HSATL43	HSATL4S
Faunus	HFAUN2R	HFAUN3R	HFAUN4R	HFAUN2S	HFAUN3S	HFAUN43	HFAUN4S
Lares	HLARE2R	HLARE3R	HLARE4R	HLARE2S	HLARE3S	HLARE43	HLARE4S
Numina	HNUMI2R	HNUMI3R	HNUMI4R	HNUMI2S	HNUMI3S	HNUMI43	HNUMI4S
Mercury	HMERC2R	HMERC3R	HMERC4R	HMERC2S	HMERC3S	HMERC43	HMERC4S
Venus	HVENU2R	HVENU3R	HVENU4R	HVENU2S	HVENU3S	HVENU43	HVENU4S
Diana	HDIAN2R	HDIAN3R	HDIAN4R	HDIAN2S	HDIAN3S	HDIAN43	HDIAN4S
Carinus	HCARI2R	HCARI3R	HCARI4R		HCARI3S	HCARI43	HCARI4S
Avitus	HAVIT2R	HAVIT3R					
Claudius	HCLAU2R	HCLAU3R					
Nero	HNERO2R	HNERO3R	HNERO4R				
Marcus(sml)		HMARS3R					
Marcus(lge)		HMARL3R	HMARL4R				
Lucius		HLUCI3R				HLUCI43	
Augustus	HAUGU2R	HAUGU3R					
Romulus						HROMU43	
Arcadius	HARCA2R	HARCA3R	HARCA4R		HARCA3S	HARCA43	HARCA4S
Hadrian	HHADR2R	HHADR3R	HHADR4R		HHADR3S	HHADR43	HHADR4S
Constantine						HCONS43	
Antonius	HANTO2R	HANTO3R	HANTO4R		HANTO3S	HANTO43	HANTO4S
Cassius							HCASS4S
Julius							HJULI4S
Maximus		HMAXI3R					
Commodus		HCOMM3R			HCOMM3S		

“Colonnade” Hoppers

Hopper Embellishments:

A range of Cast Aluminium motifs to enhance the appearance of Hopper Heads.

Lugs may be used as hopper embellishments or used with Cast Collared Downpipes.

	Item		Item
	Fleur de Leys Size: 48mm Code: CFDL		Feathers Size: 170mm Code: CFEA
	Northampton Rose Size: 70mm, 95mm Code: CNRS, CNRL		Mansion Lug Size: 150mm Code: CMANS
	Tudor Rose Size: 38mm, 51mm, 63mm Code: CTRS, CTRM, CTRL		Sterling Lug Size: 95mm Code: CSTER
	Yorkshre Rose Size: 35mm, 89mm, 114mm Code: CYRS, CYRM, CYRL		Warwick Lug Size: 120mm Code: CWARW
	Britannia Rose Size: 178mm Code: CBR		Windsor Lug Size: 100mm Code: CWIND
	Lions Head Size: 80mm Code: CLH		Acorn Lug Size: 130mm Code: CACOR

“Colonnade”
Security Pipe



**S
e
c
u
r
i
t
y
P
i
p
e**



Unit 2, Vitruvius Way
Meridian Business Park
Braunstone
Leicester
LE19 1WA

Tel: 0116 2894400

Fax: 0116 2894433

E-mail: sales@arp-ltd.com

Web: www.arp-ltd.com

“Colonnade” Security Pipe

Description:

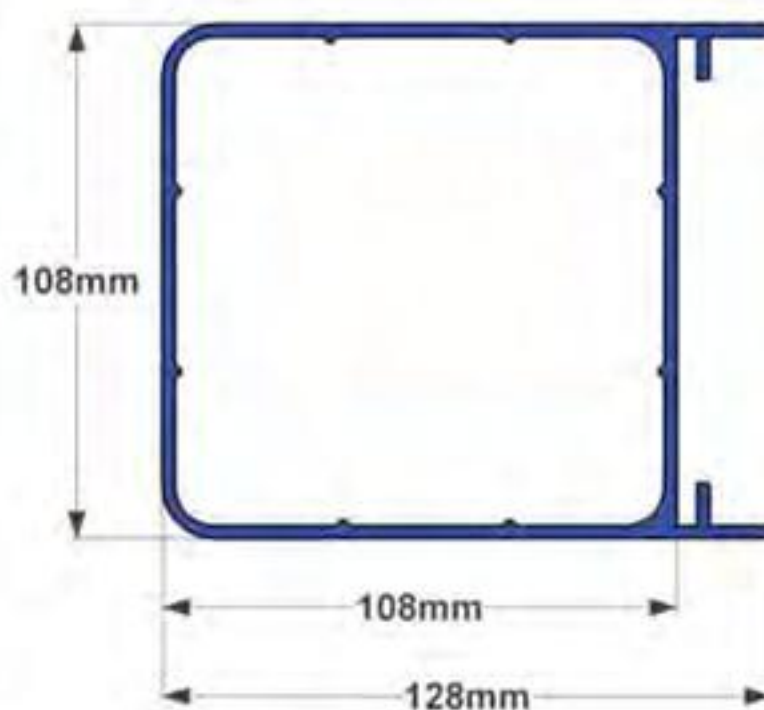
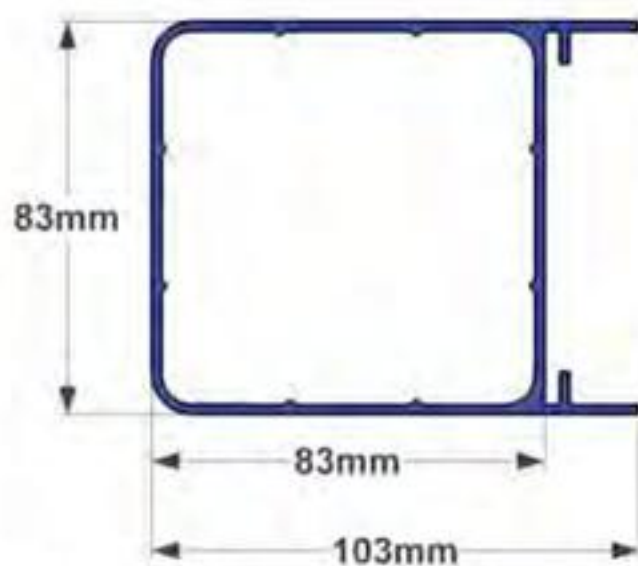
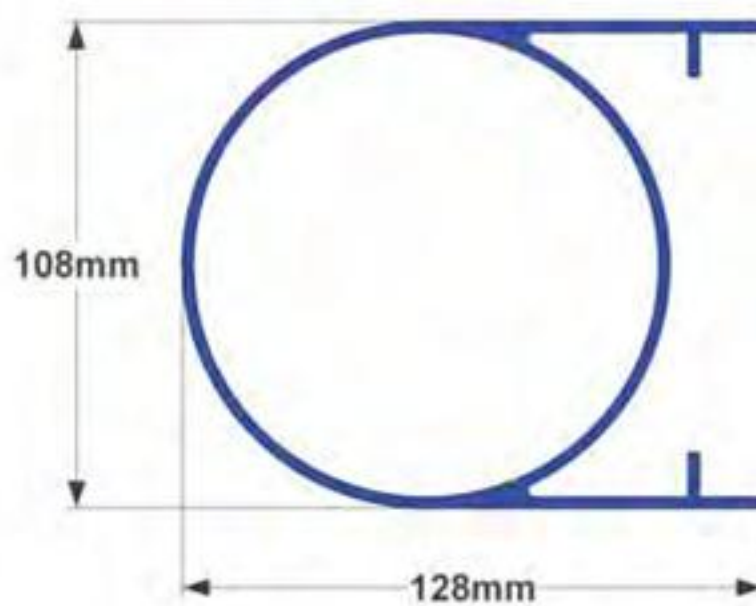
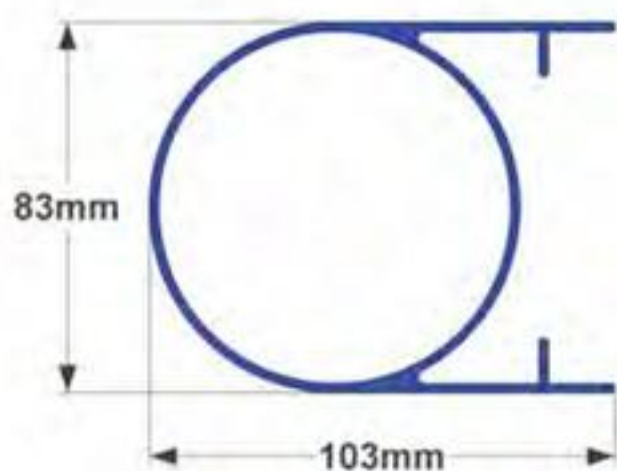
Round & Square downpipe formed from extruded 6060 T4 aluminium in various sizes (Ø 83 mm, Ø 108 mm, 83 x 83 mm, 108 x 108 mm*) & supplied with a complete range of accessories ie offsets, bends, drain offsets etc.

* Nominal size

Key Benefits:

For security conscious applications the pipe stack fits completely flush to the wall, the concealed & inaccessible joints make the pipe unclimbable after assembly. A self centralising spigot ensures perfect alignment providing for a smooth visual appearance.

S
e
c
u
r
i
t
y
P
i
p
e



“Colonnade” Security Pipe

Composition & Manufacture:

‘Colonnade’ downpipes are manufactured from Aluminium alloy 6060 T4 to BS1474: 1972 & the product complies to, or exceeds all relevant standards.

Fittings for the downpipes are formed using fabrication methods involving cut,mitre & welding techniques using specially made jig & forming tools.

Finish:

Mill Finish Aluminium or Polyester Powder Coated to a range of BS or RAL Colours.

Installation & Jointing:

Unlike other systems, Security Pipe has to be built from the ground up.

Ensure vertical alignment between drain & gutter outlet.

Slide the main fixing plate into the top of the pipe, attach clamp plate & secure with M6 nuts supplied. Fix to the wall using plastic wall plugs & 5mm x 50mm st.stl screws (dependant on substrate).

Apply a bead of sealant around spigot before inserting into mating pipe.Clean off excess as required.Touch up paint is supplied to touch up all site cut edges.

Model Specification:

ARP heavy grade ‘Colonnade’ Security pipes & fittings to BS 2997 (EN612) using 6060 T4 grade extruded aluminium in accordance with BS 1474: 1974.

Profile to be Round/Square*.size Ø83mm (2mm),Ø108mm (2mm), 83x83mm (2mm), 108x108mm (2.5mm)*

Materials to have factory applied Polyester Powder Coat to all significant surfaces in accordance with BS EN 122026 Matt/Satin/Gloss* finish, or alternatively plain aluminium Mill Finish. All to be supplied by Aluminium Roofline Products Ltd, Unit 2, Vitruvius Way, Meridian Business Park,Braunstone, Leicester LE19 1WA. Tel 0116 2894400 Fax 0116 2894433.

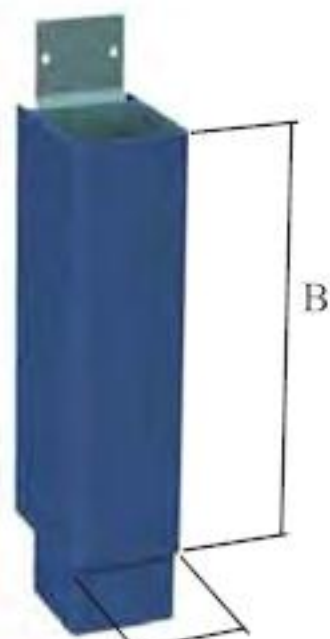
To be fastened by 5mm x 50mm (dependant on substrate) stainless steel screws, in accordance with the manufacturer’s specification & guidelines. Downpipes to be fixed at 2m centres maximum with supplementary brackets at or near fittings.



S
e
c
u
r
i
t
y
P
i
p
e

“Colonnade” Security Pipe

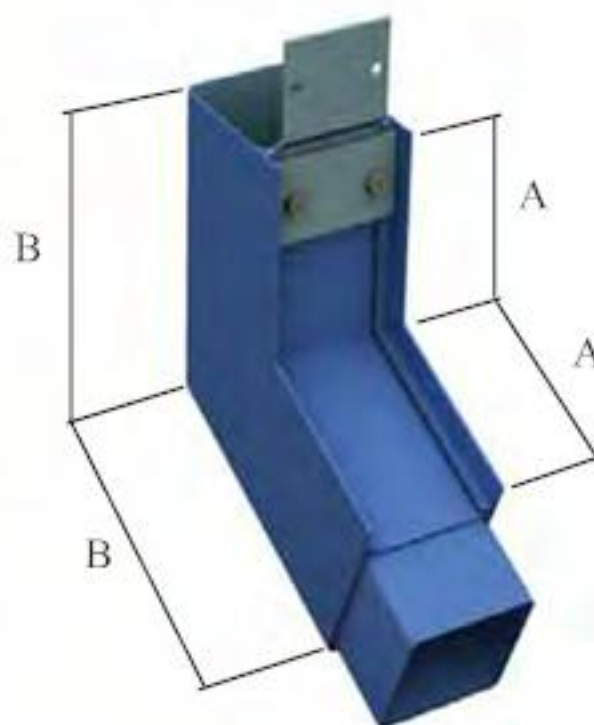
Downpipe Lengths



A (nominal pipe size)

A	Code	Code
(mm)	B=2.0m	B=1.0m
Ø83	3RVDP2	3RVDP1
Ø108	4RVDP2	4RVDP1
83x83	3SVDP2	3SVDP1
108x108	4SVDP2	4SVDP1

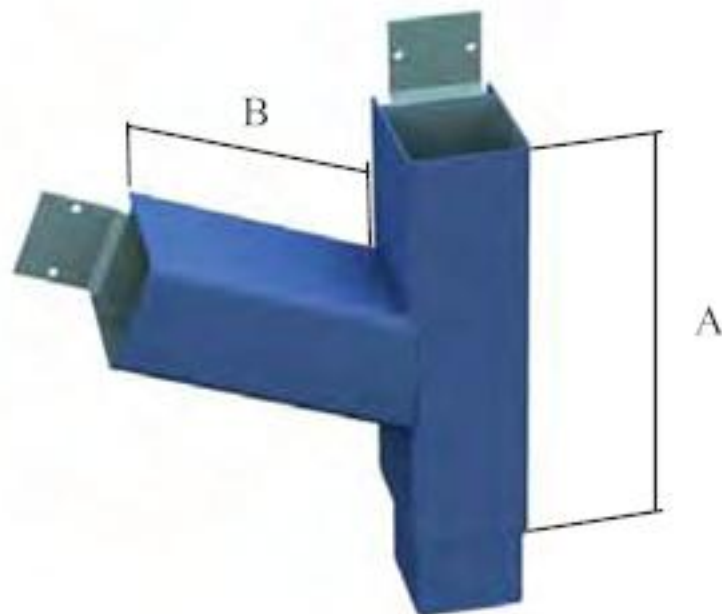
Bends



Pipe Size	Code	A	B	Code	A	B	Code	A	B
(mm)	92.5°	(mm)	(mm)	112.5°	(mm)	(mm)	135°	(mm)	(mm)
Ø83	3RVB92	120	217	3RVB112	120	186	3RVB135	120	162
Ø108	4RVB92	120	245	4RVB112	120	207	4RVB135	120	174
83x83	3SVB92	120	217	3SVB112	120	186	3SVB135	120	162
108x108	4SVB92	120	245	4SVB112	120	207	4SVB135	120	174

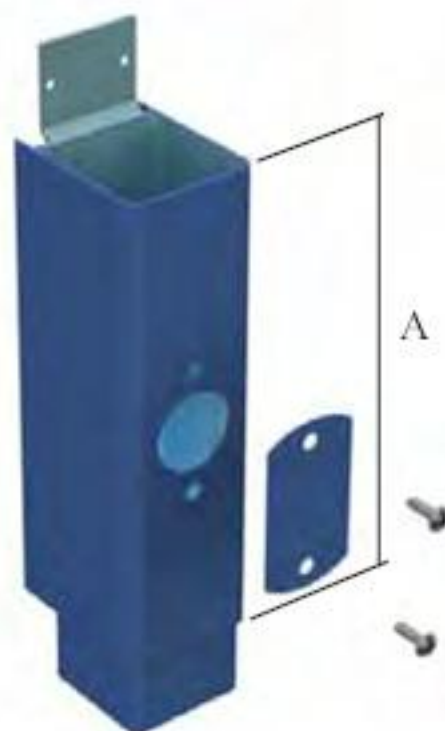
“Colonnade” Security Pipe

Y-Branch



Pipe Size (mm)	Code	A (mm)	B (mm)	Code	A (mm)	B (mm)	Code	A (mm)	B (mm)
	92.5°			112.5°			135°		
Ø83	3RVY92	300	120	3RVY112	300	120	3RVY135	300	120
Ø108	4RVY92	300	120	4RVY112	300	120	4RVY135	300	120
83x83	3SVY92	300	120	3SVY112	300	120	3SVY135	300	120
108x108	4SVY92	300	120	4SVY112	300	120	4SVY135	300	120

Access Pipe



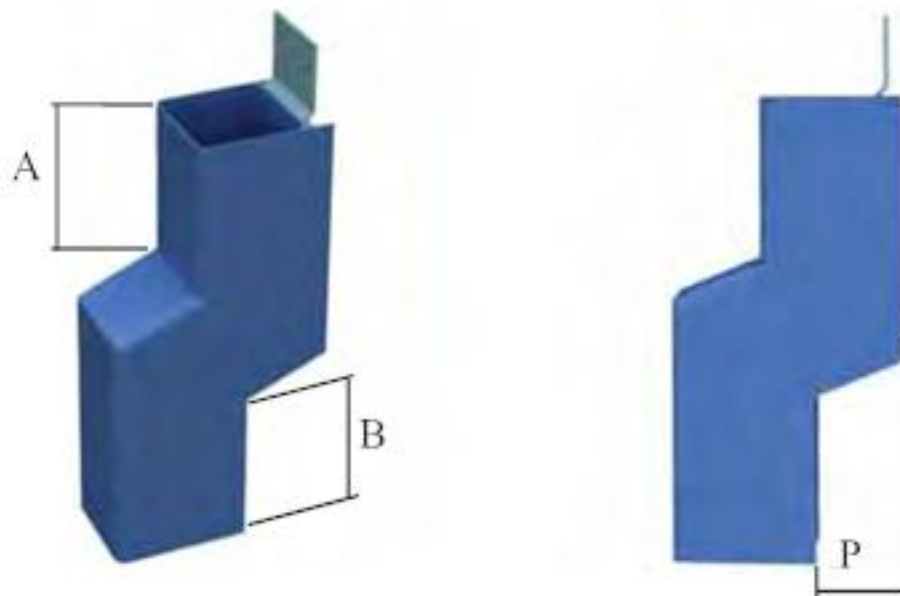
Pipe Size (mm)	Code	A (mm)
Ø83	3RVAPP	300
Ø108	4RVAPP	300
83x83	3SVAPP	300
108x108	4SVAPP	300

S
e
c
u
r
i
t
y
P
i
p
e

“Colonnade” Security Pipe

Swan-necks

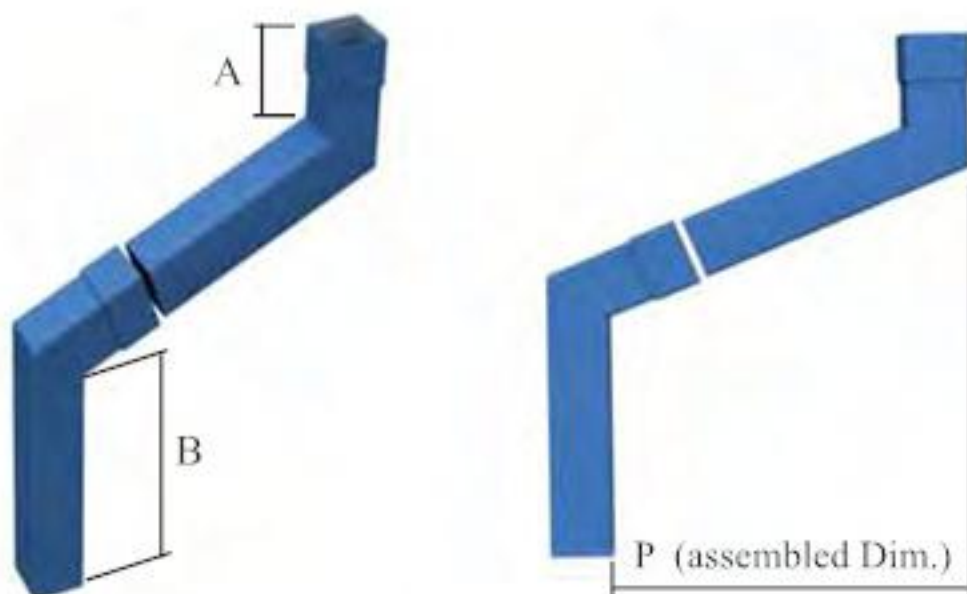
Offsets at ground level are supplied in Security pipe whereas those at the fascia/soffit level are manufactured from our normal swaged pipe range unless otherwise requested. Specify “Front” or “Side Projecting”. Please enquire for further details



Pipe Size (mm)	A (mm)	B (mm)	Code P=40mm	Code P=63mm	Code P=75mm	Code P=100mm	Code P=150mm
Ø83	120	300	3RVSN40/1	3RVSN63/1	3RVSN75/1	3RVSN100/1	3RVSN150/1
Ø108	120	300	4RVSN40/1	4RVSN63/1	4RVSN75/1	4RVSN100/1	4RVSN150/1
83x83	120	300	3SVSN40/1	3SVSN63/1	3SVSN75/1	3SVSN100/1	3SVSN150/1
108x108	120	300	4SVSN40/1	4SVSN63/1	4SVSN75/1	4SVSN100/1	4SVSN150/1

Two part Swan-necks

Two part swan-necks are supplied manufactured from normal swaged pipe with extended bottom leg & are 112.5° as standard. Please specify other requirements.

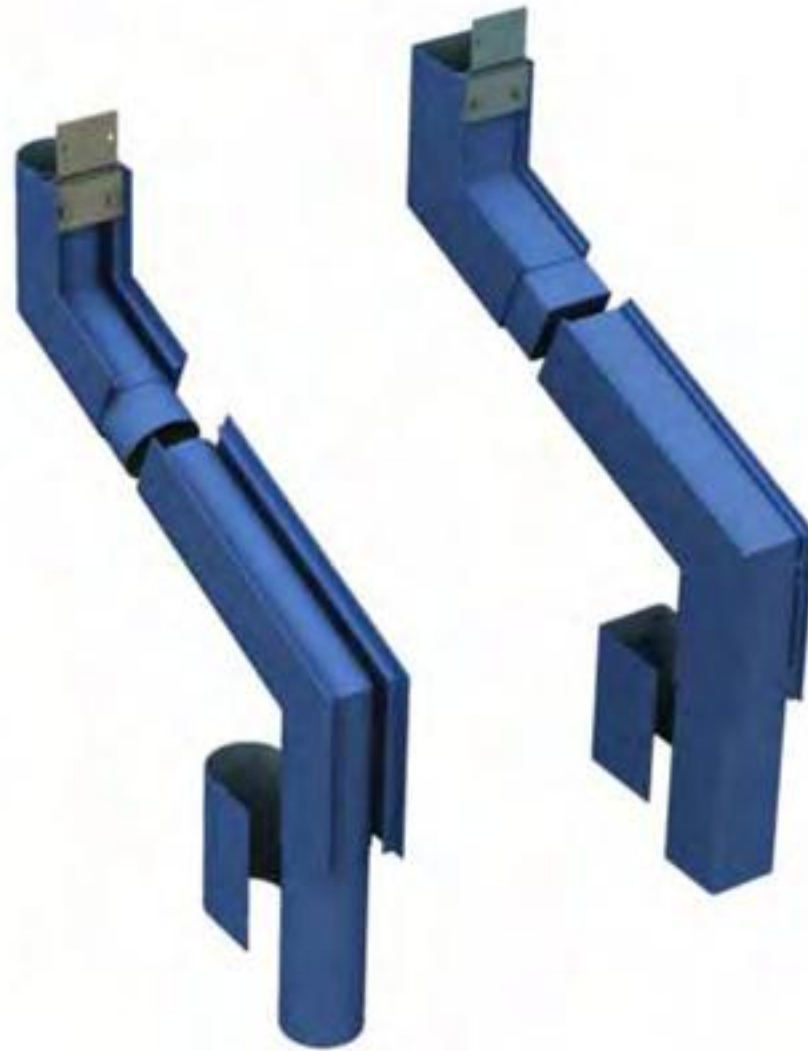


Pipe Size (mm)	A (mm)	B (mm)	Code P=150mm	Code P=300mm	Code P=450mm	Code P=600mm	Code P=750mm
Ø83	120	300	3RVSN150/2	3RVSN300/2	3RVSN450/2	3RVSN600/2	3RVSN750/2
Ø108	120	300	4RVSN150/2	4RVSN300/2	4RVSN450/2	4RVSN600/2	4RVSN750/2
83x83	120	300	3SVSN150/2	3SVSN300/2	3SVSN450/2	3SVSN600/2	3SVSN750/2
108x108	120	300	4SVSN150/2	4SVSN300/2	4SVSN450/2	4SVSN600/2	4SVSN750/2

“Colonnade” Security Pipe

Swan-necks

Certain applications will demand that the pipe follows the building profile even at the fascia/soffit level. In this instance the use of Swan-necks manufactured from the actual security pipe is required. Please enquire for specific advice.



Pipe Brackets

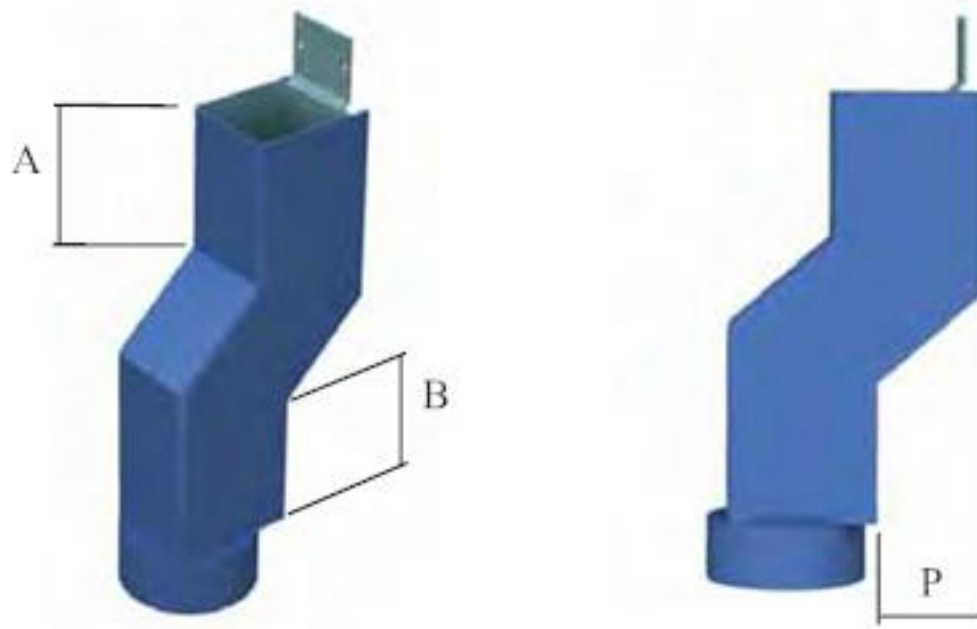


Pipe Size (mm)	Code
Ø83	3VPC
Ø108	4VPC
83x83	3VPC
108x108	4VPC

“Colonnade” Security Pipe

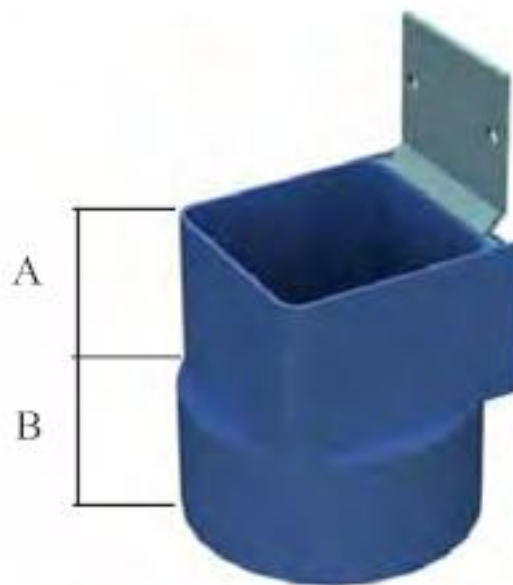
Drain Offset

All Drain offsets supplied as 135° as standard.



Pipe Size (mm)	A (mm)	B (mm)	Code P=40mm	Code P=63mm	Code P=75mm	Code P=100mm	Code P=150mm
Ø83	120	120	3RVDO40/1	3RVDO63/1	3RVDO75/1	3RVDO100/1	3RVDO150/1
Ø108	120	120	4RVDO40/1	4RVDO63/1	4RVDO75/1	4RVDO100/1	4RVDO150/1
83x83	120	120	3SVDO40/1	3SVDO63/1	3SVDO75/1	3SVDO100/1	3SVDO150/1
108x108	120	120	4SVDO40/1	4SVDO63/1	4SVDO75/1	4SVDO100/1	4SVDO150/1

Drain Adaptor



Pipe Size (mm)	A (mm)	B (mm)	Code
Ø83	60	60	3RVDA
Ø108	60	60	4RVDA
83x83	60	60	3SVDA
108x108	60	60	4SVDA

Security Pipe

“Sentinel”
Beaded Half Round Gutters



**B
e
a
d
e
d
H
a
l
f
R
o
u
n
d**



Unit 2 Vitruvius Way
Meridian Business Park
Braunstone
Leicester
LE19 1WA

Tel:0116 2894400

Fax:0116 2894433

E-mail:sales@arp-ltd.com

Web:www.arp-ltd.com

“Sentinel” Beaded Half Round Gutters

Description:

Formed from extruded aluminium in various sizes (112mm, 125mm & 150mm) & is supplied with a complete range of accessories ie angles, outlets, stopends, fascia brackets. True & Facetted radius gutters are also available.

Installation:

Beaded Half Round gutters have fascia brackets which are set out at 750mm maximum centres no further than 375mm from a joint, allow one additional bracket per fitting. The fascia brackets should be set out to any pre-determined fall taking note of the position of any fittings such as outlets & angles beforehand, brackets should be fixed using 5mm x 25mm stainless steel countersunk screws (dependant on substrate). See Fig 1.

Rafter brackets are also available whose centres may be governed by the roof timbers. Rise & fall brackets driven into the masonry are recommended to be at 600mm maximum centres.

Direct Fixing:

Not applicable to this product

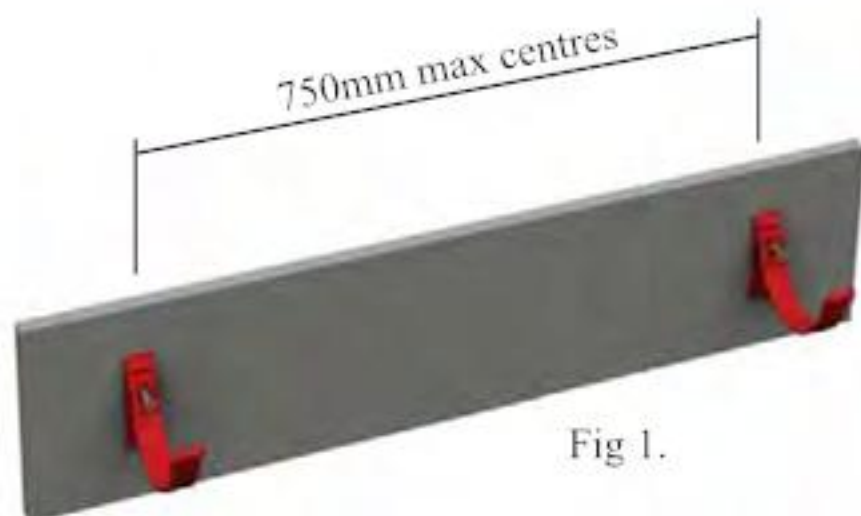


Fig 1.

“Sentinel” Beaded Half Round Gutters

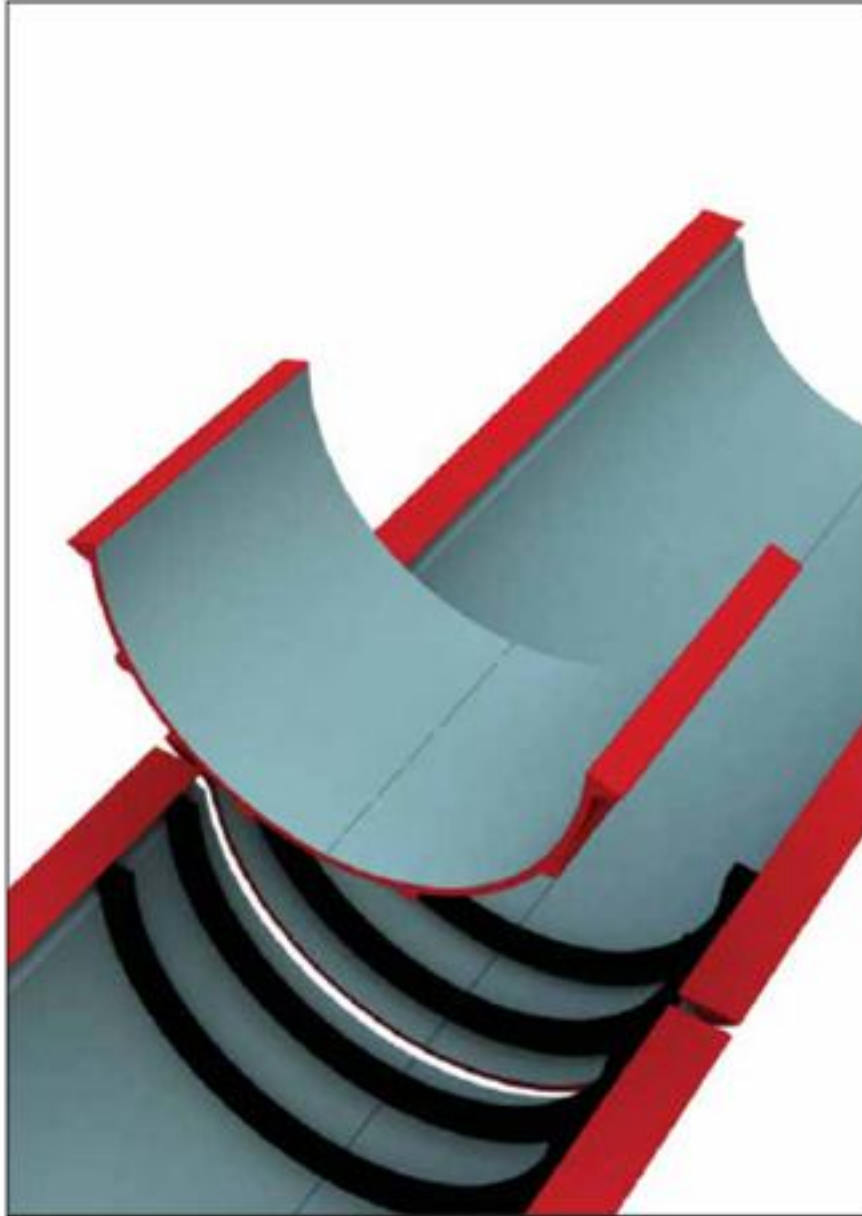


Fig 2.

Jointing:

Aluminium has a coefficient of expansion equal to 0.00002348mm per °C on average, this equates to just over 1.4mm per metre on a temperature range of -20°C to +40°C. Typically a 3mm to 4mm expansion gap between the ends of the gutter sections is advisable.

ARP recommend & supply Arbosil 1096 Low Modulus Silicone sealant & it is essential that this or a direct equivalent is used to seal the joints as this will ensure a strong mechanical bond that withstands the forces associated with thermal movement.

It is important to observe the sealant manufacturers guidelines concerning application & curing during cold or damp weather conditions & that before assembling the joint all surfaces are clean & free from grease, acetone applied with a soft cloth & wiped dry is recommended.

Beaded Half Round gutters have loose internal union connectors that clip into recesses in the gutter extrusion.

Having sited the gutter apply 2 x 6mm beads of Arbosil 1096 Low Modulus Silicone sealant to each side of the joint (Fig 2.). Carefully offer the union connector into position & apply sealant to both sides of joint & tool in. Excess sealant should then be removed. Touch up paint is supplied to touch up all site cut edges.

B
e
a
d
e
d
H
a
l
f
R
o
u
n
d