

premium products • proven solutions

Uniclass L7315	EPIC J342
C1/SfB	
(52.9)	X

September 2007

**HARMER**

# LINEARIS

The ultimate in shower drainage for contemporary living







# State of the art drainage systems

for shower and wet room installations



The Harmer LINEARIS drainage range from Alumasc offers a mix of sophisticated elegance and advanced engineering to meet all the practical, aesthetic and functional demands of today's contemporary shower and wet rooms.

Designers, specifiers and installers can be confident that LINEARIS will cope superbly with the high flow demands of modern showers in domestic, leisure and residential markets.

All the requirements of modern living have been catered for, ensuring that LINEARIS drainage solutions blend beautifully with any bathroom design to create the perfect sanctuary.

The Harmer LINEARIS range removes the need for a conventional shower tray and offers a choice of innovative slimline drainage channels along with more traditional shower gully products, but all with contemporary styling.

#### **LINEARIS Channel Drainage**

- LINEARIS Slimline 40
- LINEARIS Slimline 60

#### **LINEARIS Shower Gullies**

- LINEARIS Invisible
- LINEARIS Oval
- LINEARIS Geo



Channel Drainage - LINEARIS Slimline 40



Shower Gullies - LINEARIS Geo





# LINEARIS channel drainage

Uncompromising engineering

LINEARIS Slimline 40

The sleek, clean lines of the LINEARIS Slimline 40 and Slimline 60 channels will complement and enhance the tiling pattern in any shower or wet room.

Available in a choice of widths and lengths, the high performance channels deliver fast and efficient drainage. Additionally both Slimline channels feature lockable covers and have easy access for maintenance.

The wider Slimline 60 has all the features of the Slimline 40, but with an increased capacity of up to 1.2 litres per second it is able to tackle the new high volume shower heads currently being installed in luxury bathrooms and fitness centres.

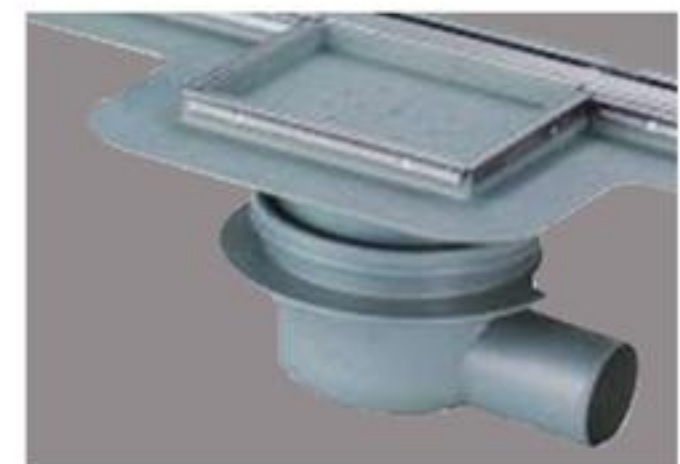
The Slimline 60 channel can be reversed to allow for tiling, allowing the drain to be co-ordinated to match the bathroom tiling. It can also be adjusted to accommodate tiles up to thicknesses of 20mm, such as natural stone and granite.



LINEARIS Slimline 40 - easy access for maintenance



LINEARIS Slimline 60



LINEARIS Slimline 40 with drain body



# LINEARIS shower gullies

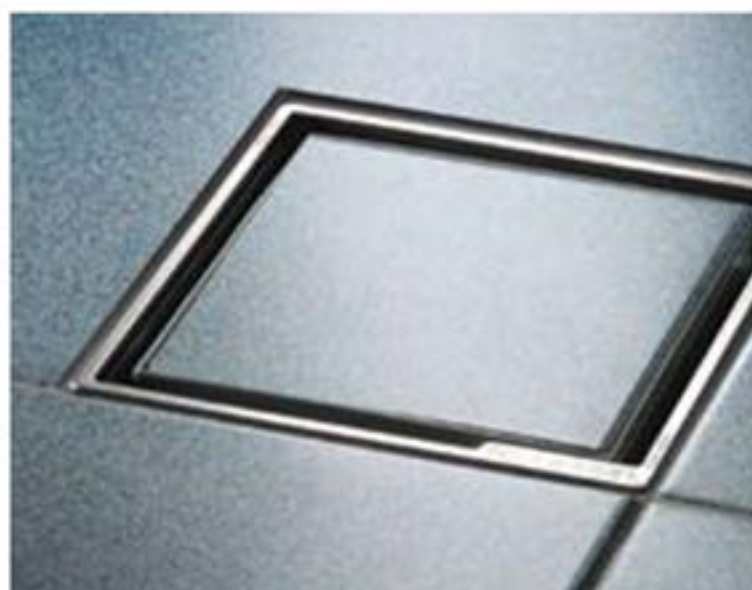
Contemporary design



LINEARIS Oval



The Harmer LINEARIS range of shower gullies presents the opportunity to select a gully to co-ordinate with your room styling.



LINEARIS Invisible



LINEARIS Geo

**Invisible** features a recessed cover which can easily be tiled to minimise the appearance of the drain and blend it in with the adjacent tiles. The cover is lockable with easy access for maintenance.

**Oval** and **Geo** covers are manufactured from high quality stainless steel, ensuring durability.

**Oval** conveys elegance to add a touch of luxury to the wet room or shower.

**Geo** represents a contemporary, symmetrical design which will complement any modern scheme.



**Geo** and **Oval** both feature a Lock & Lift System with easy access for maintenance.



Gully shown with drain body.

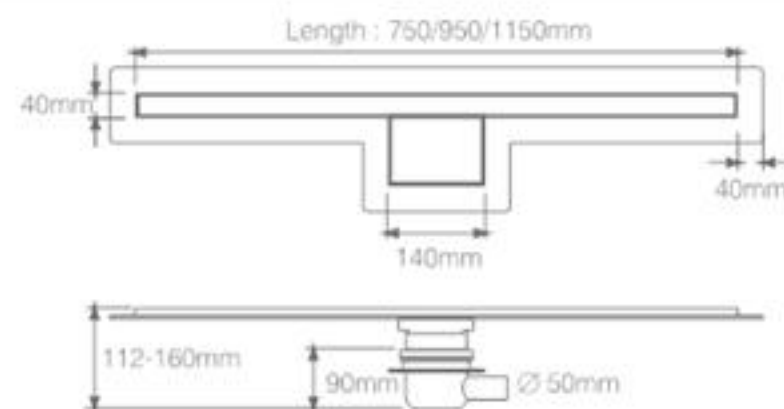
## LINEARIS Slimline 40 and Slimline 60 channel drainage

The LINEARIS Slimline drains provide a stylish and practical way to manage the dispersal of water in a wet room or shower.

The Slimline 40 or the wider Slimline 60 are available in a choice of channel lengths.

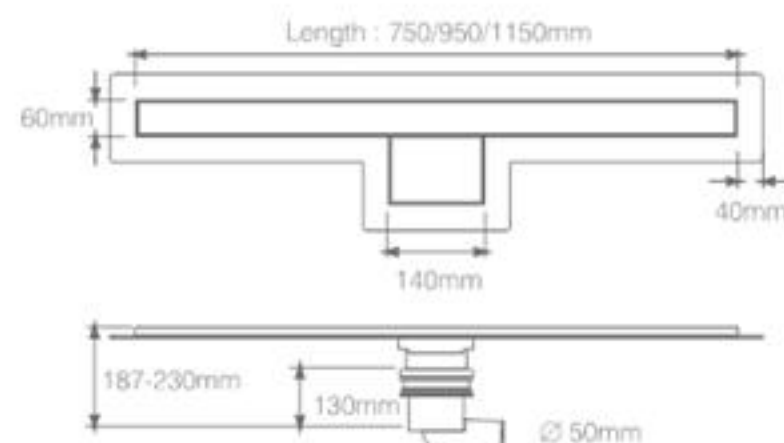
### LINEARIS Slimline 40

Supplied complete with a 50mm dia Classic horizontal drain body. Other drain bodies are available - see page 10



### LINEARIS Slimline 60

Supplied complete with a Practicus 50mm dia horizontal drain body. Other drain bodies are available - see page 10



Feature	LINEARIS Slimline 40	LINEARIS Slimline 60
Channel lengths available	750mm, 950mm, 1150mm	750mm, 950mm, 1150mm
Material	ABS with brushed stainless steel cover	ABS with brushed stainless steel cover
Reversible channel section to enable tiling	X	✓
Lockable cover	✓	✓
Access for maintenance	✓	✓
Vertical and lateral adjustment for ease of installation	✓	✓
Adjustable for different tile thicknesses	8-10mm	8-20mm
Suitable for sub-tile waterproofing	✓	✓
Flow rate (litres per second)	0.4 l/s with 10mm threshold	0.6 l/s without threshold 1.2 l/s with 10mm threshold
Weight 750mm / 950mm / 1150mm	1.6kg / 1.8kg / 2kg	3.8kg / 4.3kg / 4.7kg
Order code 750mm	40150.83	48908
950mm	40150.85	48910
1150mm	40150.87	48912

Accessories available - Multistop, hair filter, sealing flange



## LINEARIS Invisible, Oval & Geo shower gullies

Harmer LINEARIS offers a choice of shower gullies; Invisible, which can be tiled to match the bathroom tiling and the attractive Oval and Geo designs. Each gully is fully adjustable through a 360° rotation for convenient installation. The drains allow for different tile thicknesses from 8mm up to 20mm.

### LINEARIS Invisible

### LINEARIS Oval

### LINEARIS Geo

Adjustable variance from top of flange to bottom of drain body - 133 to 190mm



LINEARIS Invisible, Oval and Geo gullies are supplied with a Classic 50mm dia horizontal drain body as standard. Other drain bodies are available - see page 10



Feature	LINEARIS Invisible	LINEARIS Oval	LINEARIS Geo
Material	ABS with stainless steel rim	ABS with brushed stainless steel cover	ABS with brushed stainless steel cover
Recessed cover for on site tiling	✓	✗	✗
Lockable cover	✓	✓	✓
Easy access for maintenance	✓	✓	✓
360° adjustable cover with vertical and lateral movement	✓	✓	✓
Adjustable for different tile thicknesses	8-20mm (max. 10mm lid)	8-20mm	8-20mm
Suitable for sub-tile waterproofing	✓	✓	✓
Flow rate (litres per second)	0.9 l/s	0.9 l/s	0.9 l/s
Load class to EN1253	K3	K3	K3
Weight	1.2kg	1.5kg	1.4kg
Order code	40150.55	40150.54	40150.53

Accessories available - Multistop, hair filter, sealing flange



# LINEARIS drain bodies & accessories

Alumasc drainage products have long been renowned for their top class engineering and superb product quality. Harmer LINEARIS takes advantage of this market leading expertise to provide designers and installers with a wide choice of installation options.

## Classic



50mm Horizontal



50mm Vertical

## Superflat



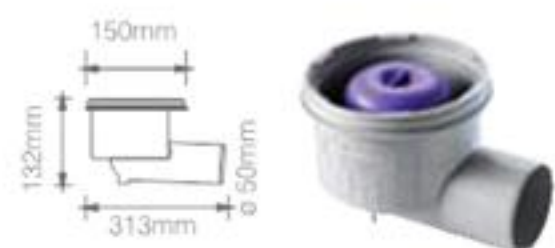
50mm Horizontal

## Ultraflat



50mm Horizontal

## Practicus



50mm Horizontal



50mm Vertical



100mm Horizontal



100mm Vertical

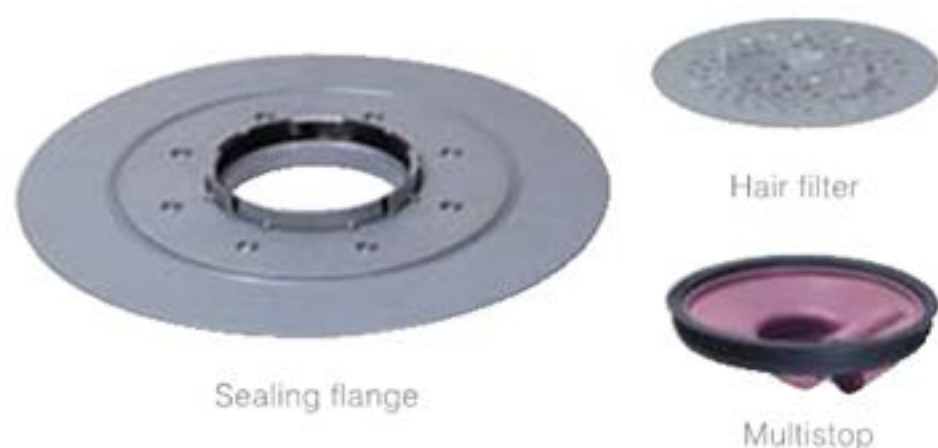
Feature	Classic	Superflat	Practicus	Ultraflat
Fits LINEARIS drain covers	Slimline 40, Invisible, Oval, Geo	Slimline 40, Invisible, Oval, Geo	Slimline 60	Slimline 60
Material	ABS	Polypropylene	Polypropylene	ABS
Outlet	50mm horizontal or vertical	50mm horizontal	50mm or 100mm horizontal or vertical	50mm horizontal
Water trap (can be removed for cleaning)	50mm *	30mm *	50mm *	30mm *
Weight	0.2kg	0.2kg	0.8kg	0.3kg
Order code - 50mm Horizontal	40150	42701	45150	45700
50mm Vertical	40250	-	45250	-
100mm Horizontal	-	-	45110	-
100mm Vertical	-	-	45210	-

\* 50mm water seal to EN1253, 30mm water seal option is for restricted depth applications



A range of accessories is available for Harmer LINEARIS drainage systems. Whilst optional, these are recommended to ensure maximum efficiency of your LINEARIS products.

The sealing flange is used when there is a requirement for an additional waterproofing membrane under your concrete screed, the multistop prevents the potential problems of odour, insects and foam build up, whilst the hair filter is an effective method of preventing hair build up.



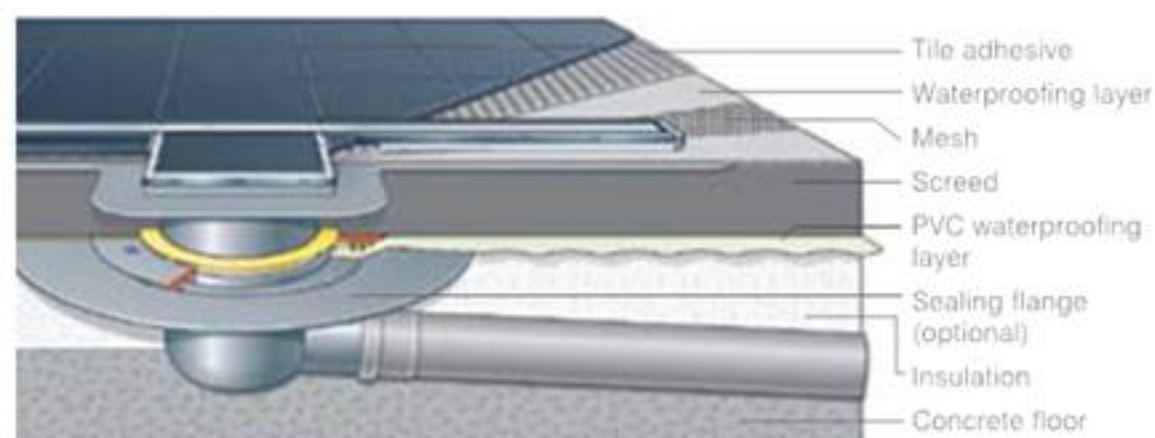
Feature	Sealing flange	Multistop	Hair filter
Material	ABS	Polypropylene	Polypropylene
Suitable for all drain types	✓	✓	✓
Order code Slimline 40, Oval, Invisible, Geo	43401	43500	43700
Order code Slimline 60	48401	48500	48700

## LINEARIS Installation

Harmer LINEARIS drainage products have been designed with the installer in mind. All components are light and easy to assemble and quick to install, with adjustable drain bodies ensuring a smooth and accurate installation.

### Typical concrete screed floor application

LINEARIS Slimline 40 with Classic 50mm horizontal drain body



Other applications include:

- Suspended concrete floor
- Suspended timber floor

More detailed information is available at our website  
[www.alumascdrainage.co.uk/linearis](http://www.alumascdrainage.co.uk/linearis)



## LINEARIS Product selection matrix

	Drain Body								Accessories		
	Classic		Practicus				Super-flat	Ultraflat	Sealing flange	Multistop	Hair filter
	50mm Vertical Outlet	50mm Horizontal Outlet	50mm Vertical Outlet	50mm Horizontal Outlet	100mm Vertical Outlet	100mm Horizontal Outlet	50mm Vertical Outlet	50mm Horizontal Outlet			
LINEARIS Slimline 40 750mm	✓	✓					✓		✓	✓	✓
950mm	✓	✓					✓		✓	✓	✓
1150mm	✓	✓					✓		✓	✓	✓
LINEARIS Slimline 60 750mm			✓	✓	✓	✓		✓	✓	✓	✓
950mm			✓	✓	✓	✓		✓	✓	✓	✓
1150mm			✓	✓	✓	✓		✓	✓	✓	✓
LINEARIS Invisible	✓	✓					✓		✓	✓	✓
LINEARIS Oval	✓	✓					✓		✓	✓	✓
LINEARIS Geo	✓	✓					✓		✓	✓	✓

All LINEARIS products are supplied complete with a 50mm dia horizontal drain body, which incorporates a 50mm water trap to EN1253.

## Product specification

- Harmer LINEARIS is manufactured in accordance with EN1253
- All products are manufactured under ISO 9001:2000 quality standard
- All stainless steel components are made using Grade 304 stainless steel
- All sealing gaskets are made from EPDM



## Design and technical support

---



Alumasc provide a drainage design and technical support service for Designers, Contractors and Installers.

This comprehensive service includes the following:

- Design advice
- Flow calculations
- CAD design
- Installation guidance

Full technical information and product data sheets are available at [www.alumascdrainage.co.uk/linearis](http://www.alumascdrainage.co.uk/linearis) or call us on 01744 648400.

## Harmer engineered drainage systems

---




Harmer LINEARIS products are part of the Alumasc Harmer Drainage range of market leading products for rainwater handling and commercial building drainage.

Harmer engineered drainage products and systems have been specified and installed in buildings ranging from apartment blocks, hospitals and hotels, to large leisure and retail complexes.

To request a drainage overview brochure please contact our literature hotline on 0808 100 2008 or visit [www.alumascdrainage.co.uk](http://www.alumascdrainage.co.uk)



premium products • proven solutions

-  Rainwater
-  Drainage
-  Waterproofing
-  Metal Roofing
-  Façades

ALUMASC EXTERIOR BUILDING PRODUCTS LTD  
White House Works, Bold Road, Sutton,  
St Helens, Merseyside, WA9 4JG  
United Kingdom  
Telephone: +44 (0)1744 648400  
Facsimile: +44 (0)1744 648401  
Website: [www.alumasc-exterior.co.uk](http://www.alumasc-exterior.co.uk)  
E-mail: [info@alumasc-exterior.co.uk](mailto:info@alumasc-exterior.co.uk)

For product and technical literature please call:

**+44 (0)808 100 2008**

For more product and technical information visit  
[www.alumascdrainage.co.uk/linearis](http://www.alumascdrainage.co.uk/linearis) or telephone:

**+44 (0)1744 648400**

Printed on 75% recycled paper using vegetable based inks

All reasonable care has been taken in the preparation of this brochure, all information, recommendations and guidance notes on the use of The Products are made without guarantee since the conditions of use are beyond the control of Alumasc Exterior Building Products Limited (The Company). The customer is responsible for ensuring that each product is fit for its intended purpose and that conditions for use are suitable.

The information contained in this brochure and advice arising therefrom is free of charge and accordingly on the terms that no liability nor liability for negligence will attach to the Company or its servants in relation to any such service arising out of or in connection with this brochure.

The Company pursues a policy of constant product development and information contained in this publication is therefore subject to change without notice.

 **KESSEL** LINEARIS range is manufactured by Kessel GmbH and is exclusively distributed by Alumasc Exterior Building Products Limited.

  
**alumasc**  
EXTERIOR BUILDING PRODUCTS