

@lgood



Commercial and public buildings



EMS 552363



FS 14646

Allgood

From stunning work environments to the most prestigious public buildings, Allgood has the expertise and experience to manage the entire door hardware co-ordination from design concept to final handover.



1. sembla @ allgood



2. modric @ allgood



3. accessories

Contents



4. washroom



5. 8

6. index

P.113





1. sembra @ allgood

Finishes and grips	6-7
Lever handles	8-9
Pull handles	10-11
Entrance pull handles	12

sembra @ allgood

The main design principle of Sembla is the central node; the component which makes the physical connection to the door.

Around the node a choice of pulls, grips and tips may be selected, allowing the specifier the opportunity to choose the detail that most suits their aesthetic requirement.

The Sembla range is available in various finishes, providing a wide choice of aesthetic options. To select the product in the finish that you require, just add the finish prefix to the part number of the item.

If you would like to substitute the standard grip and tip to one of the alternative, please add the grip suffix to the end of the product number.



ST
Satin Stainless Steel.



SP
Polished Stainless Steel.



KT
Knurled Satin Stainless Steel grip and tip.



LT
Light Wood grip and tip.
Sourced from a FSC (Forest Stewardship Council) sustainable approved source, Light Wood grips are made from beech timber.



MA
Modric Anodised Aluminium.



DT
Dark Wood grip and tip.
Sourced from a FSC (Forest Stewardship Council) sustainable approved source, Dark Wood grips are made from beech timber with a rich mahogany stain.



ST
Soft Touch grip and tip.
Soft Touch Sembla is a polyurethane based black coating with excellent durability. The finish gives the visual effect of low gloss with a soft feel, providing a tactile gripping experience.
Alternative colours available on request.



LE
Leather grip and tip.
Leather Sembla can provide an interior with a continuation of a soft furnishing theme and provide a warm and luxurious grip.

sembra @ allgood

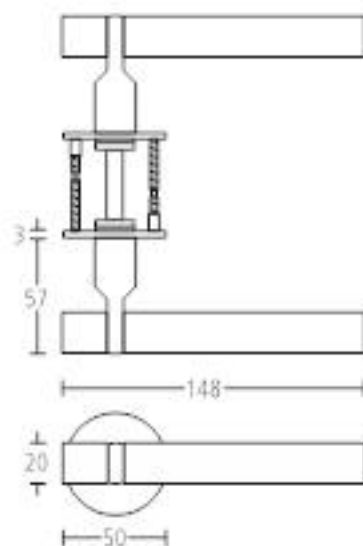


3623

Sembla lever handles with straight grip and drum tips on concealed Quadaxial fixing roses.

Finishes: ST • SP • MA

Grips: KT • LT • DT • ST • LE



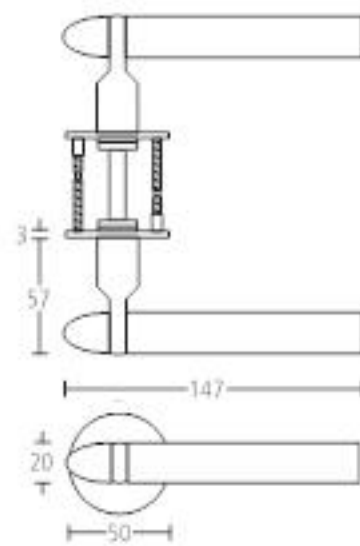
3643

Sembla lever handles with straight grip and bullet tips on concealed Quadaxial fixing roses.

Finishes: ST • SP • MA

Grips: KT • LT • DT • ST • LE

Note: Bullet tips supplied plain



The unique feature of Allgood lever handles is the Quadaxial rose assembly. This provides a corrosion resistant, maintenance free solution.

All Sembla lever sets have independent test evidence to BS EN 1906, classification

47-1140U

Lever handles

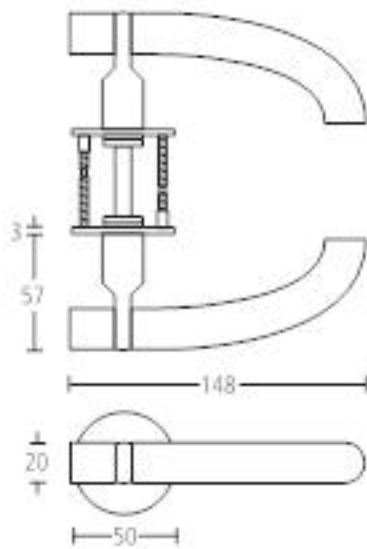


3626

Sembla lever handles with crescent grip and drum tips on concealed Quadaxial fixing roses.

Finishes: ST • SP • MA

Grips: ST



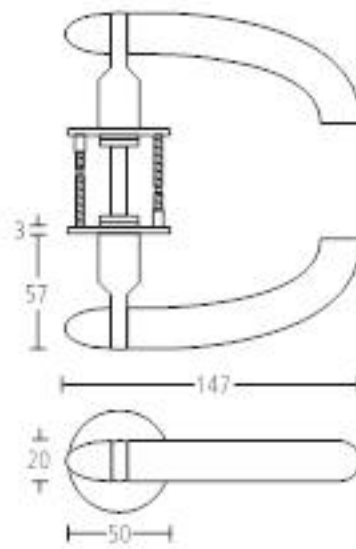
3646

Sembla lever handles with crescent grip and bullet tips on concealed Quadaxial fixing roses.

Finishes: ST • SP • MA

Grips: LT • DT • ST • LE

Note: Bullet tips supplied plain



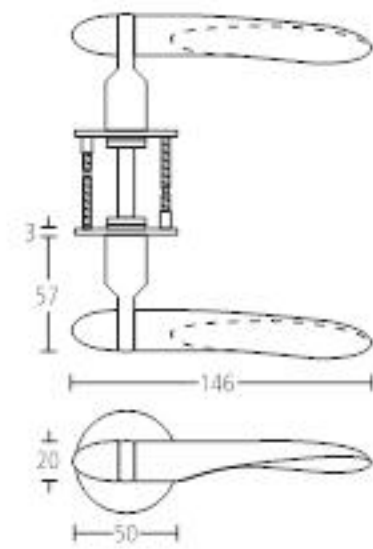
3640

Sembla lever handles with propeller grip and bullet tips on concealed Quadaxial fixing roses.

Finishes: ST • SP

Grips: XST • LE

Note: Bullet tips supplied plain



sembra @ allgood

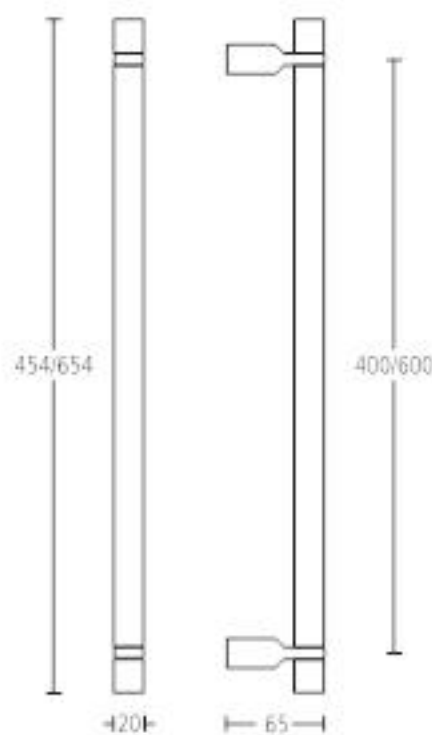


1628
 Sembla pull handle with drum tips and bolt through fixings. 400mm centres.
Finishes: ST • SP • MA
Grips: KT • LT • DT • ST • LE

1628BB
 Pair, as above, with back-to-back fixings.

1629
 Sembla pull handle as 1628 but with 600mm centres.

1629BB
 Pair, as above, with back-to-back fixings.

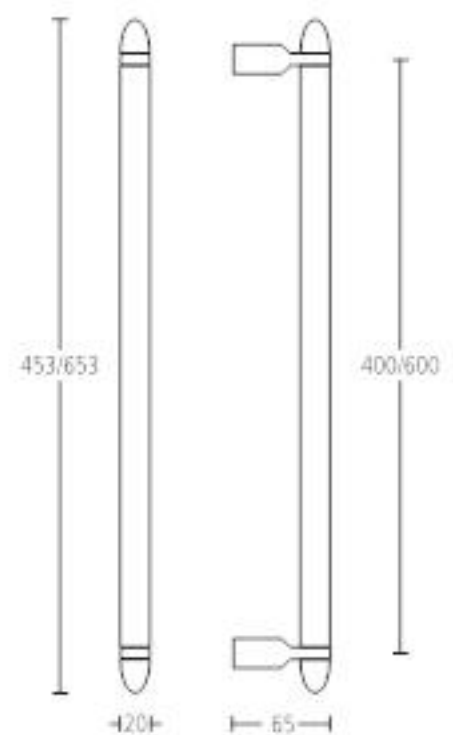


1648
 Sembla pull handle with bullet tips and bolt through fixings. 400mm centres.
Finishes: ST • SP • MA
Grips: KT • LT • DT • ST • LE
Note: Bullet tips supplied plain

1648BB
 Pair, as above with back-to-back fixings.

1649
 Sembla pull handle as 1648 but with 600mm centres.

1649BB
 Pair, as above, with back-to-back fixings.





1638

Sembla pull handle with straight tips and bolt through fixings. 400mm centres.

Finishes: ST • SP • MA

Grips: KT • LT • DT • ST • LE

1638BB

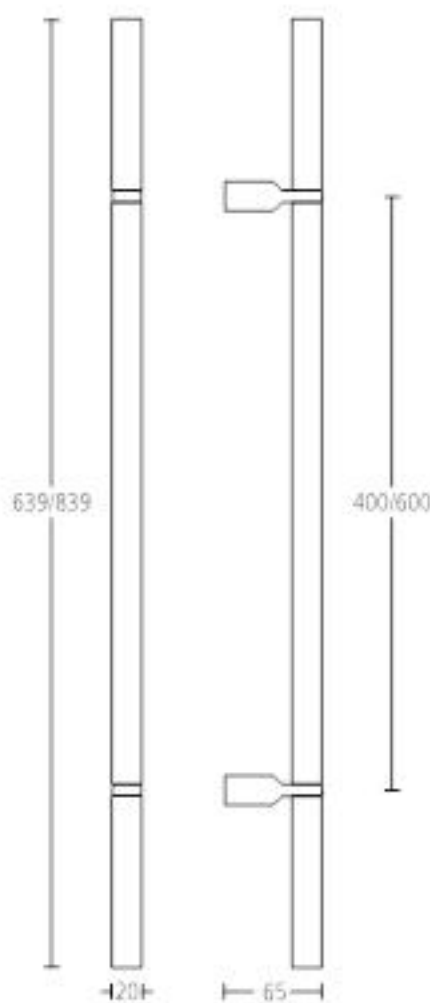
Pair, as above, with back-to-back fixings.

1639

Sembla pull handle as 1638 but with 600mm centres.

1639BB

Pair, as above, with back-to-back fixings.



1668

Sembla pull handle with crescent tips and bolt through fixings. 400mm centres.

Finishes: ST • SP • MA

Grips: ST

1668BB

Pair, as above, with back-to-back fixings.

1669

Sembla pull handle as 1668 but with 600mm centres

1669BB

Pair, as above, with back-to-back fixings.



sembra @ allgood



1729

Sembra entrance pull handle with drum tips and bolt through fixings. 600mm centres.

Finishes: ST • SP • MA

Grips: LT • DT • ST • LE

1729BB

Pair, as above, with back-to-back fixings.



1729C

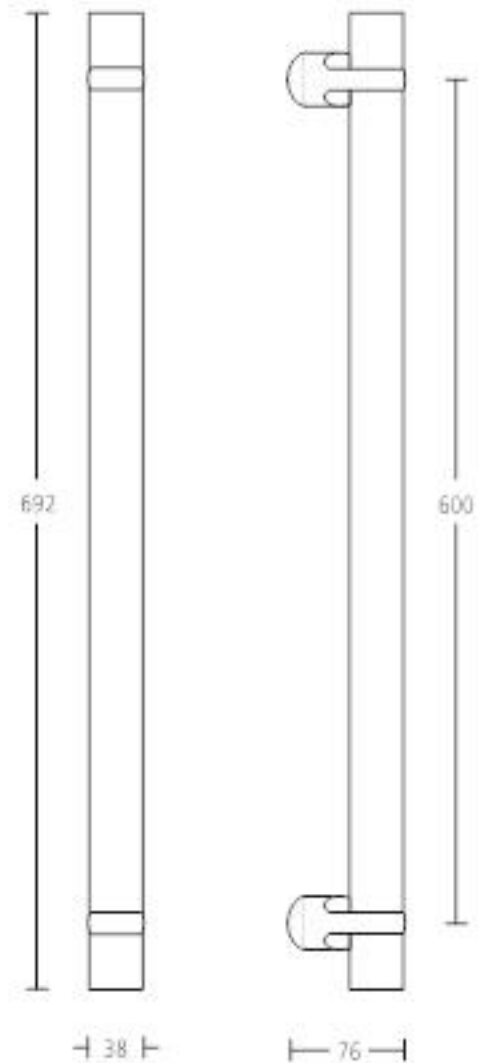
Sembra cranked entrance pull handle with drum tips and bolt through fixings. 600mm centres.

Finishes: ST • SP • MA

Grips: LT • DT • ST • LE

1729CBB

Pair, as above, with back-to-back fixings.



Note: Additional length Sembra entrance pull handles can be made to order. Please contact Allgood for specification advice.

Entrance pull handles





2. modric @ allgood

Finishes	16-17
Lever handles	18-23
Pull handles	24-27

modric @ allgood

The Modric range of door furniture was conceived in 1965 on the basis of a dimensionally and aesthetically co-ordinated range of items to allow maximum interchangeability.

The principle of modular unsprung components was revolutionary and Modric soon became a design classic.

Through continuous development to the range, Modric today represents a timeless, clean-cut range of door furniture available in a number of metallic finishes. Products are hand finished to provide the very best quality available. Modric is known for fine design and extraordinary durability.



SS
Satin Stainless Steel.



PS
Polished Stainless Steel.

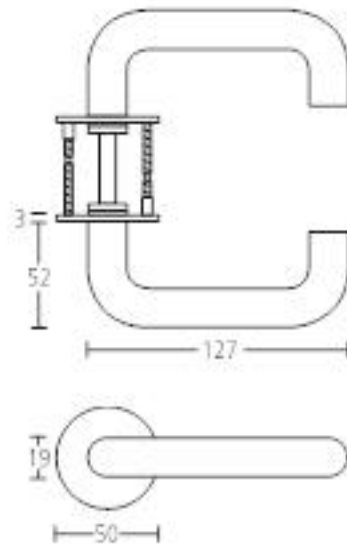


MA
Modric Anodised Aluminium.

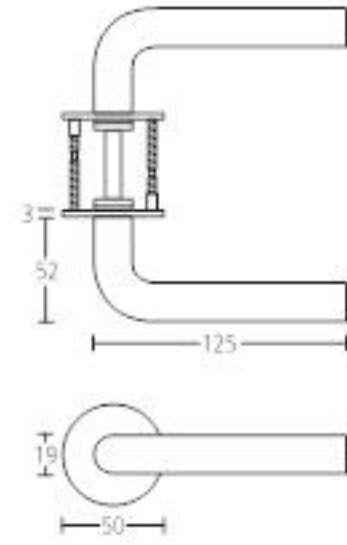
modric @ allgood



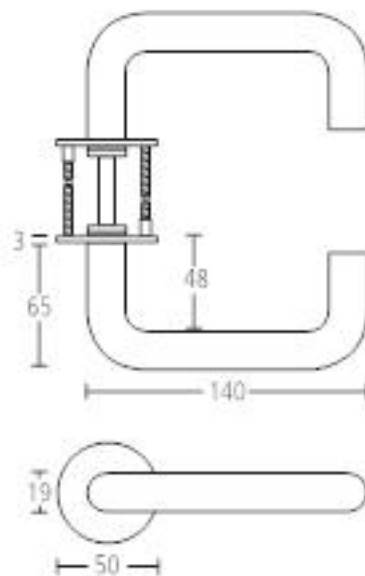
3502
 Modric lever handles on concealed Quadaxial fixing roses.
 Finishes: SS • PS • MA



3503
 Modric lever handles on concealed Quadaxial fixing roses.
 Finishes: SS • PS • MA



3502D
 As above but with extra projection from the door.
 Finishes: SS • PS • MA



The unique feature of Allgood lever handles is the Quadaxial rose assembly. This provides a corrosion resistant, maintenance free solution.

All Modric lever sets have independent test evidence to BS EN 1906, classification **47-1140U**

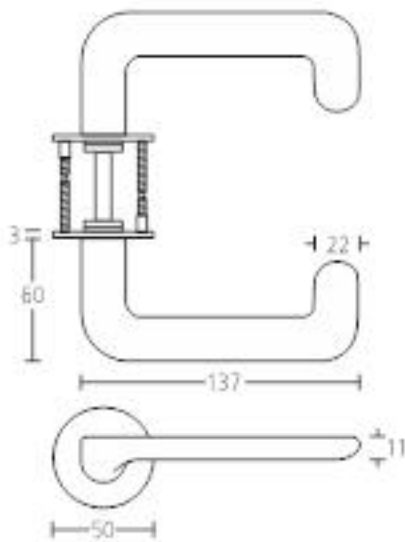
Lever handles



3504

Modric lever handles on concealed Quadaxial fixing roses.

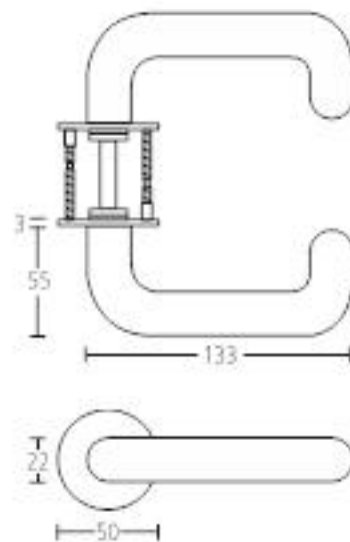
Finishes: SS • PS • MA



3506

Modric lever handles on concealed Quadaxial fixing roses.

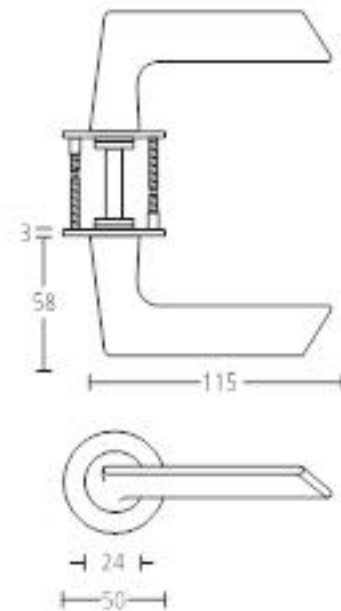
Finishes: SS • PS • MA



3515

Modric lever handles on concealed Quadaxial fixing roses.

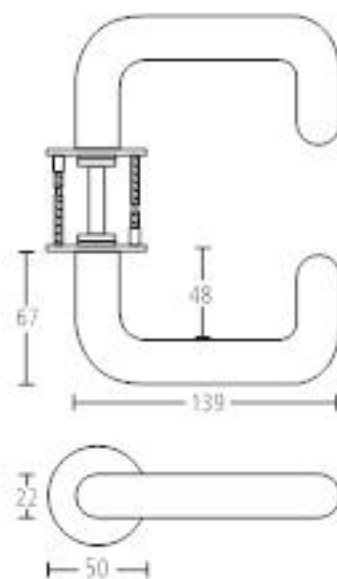
Finishes: SS • PS • MA



3506D

As above but with extra projection from the door.

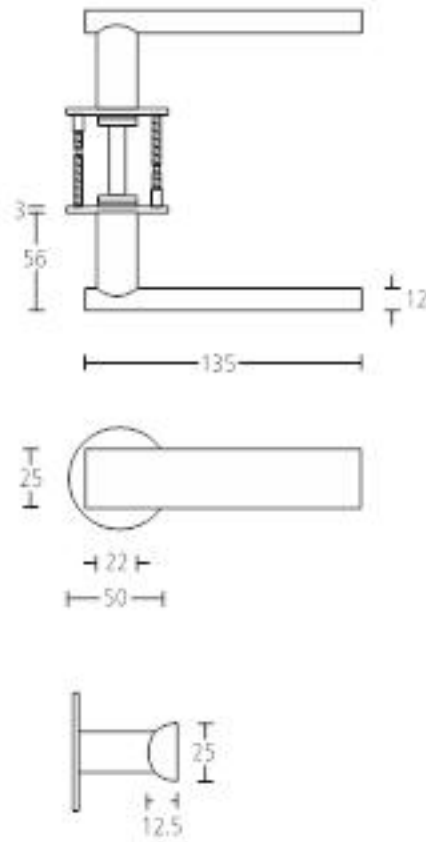
Finishes: SS • PS • MA



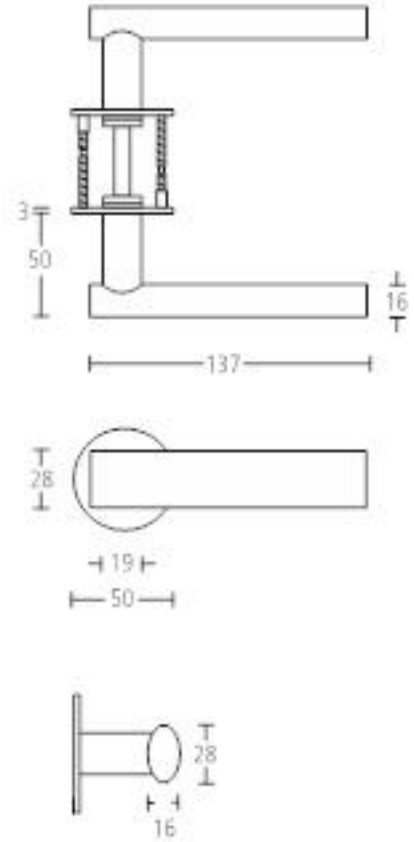
modric @ allgood



3520
 Modric lever handles on concealed Quadaxial fixing roses.
 Finishes: SS • PS



3530
 Modric lever handles on concealed Quadaxial fixing roses.
 Finishes: SS • PS



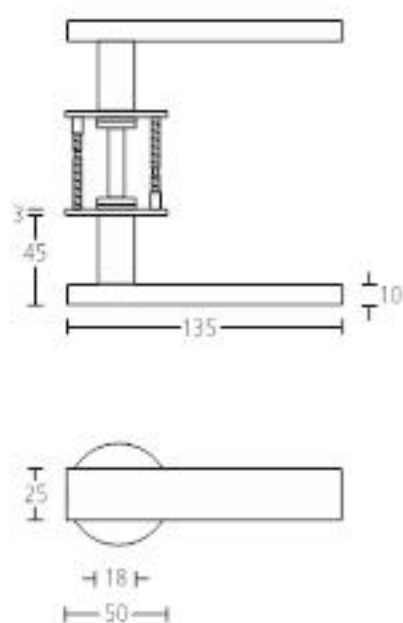
The unique feature of Allgood lever handles is the Quadaxial rose assembly. This provides a corrosion resistant, maintenance free solution.

All Modric lever sets have independent test evidence to BS EN 1906, classification

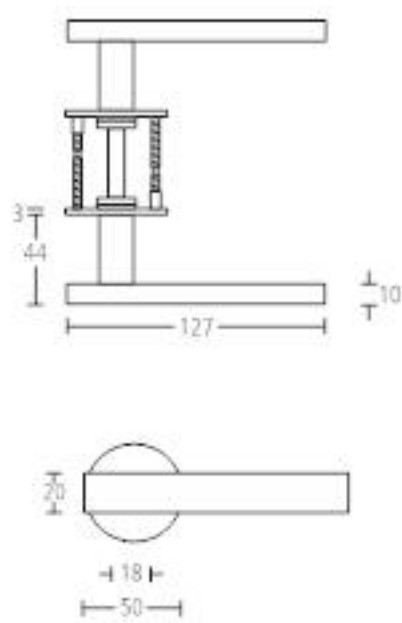
47-1140U



3540
Modric lever handles on concealed Quadaxial fixing roses.
Finishes: SS • PS



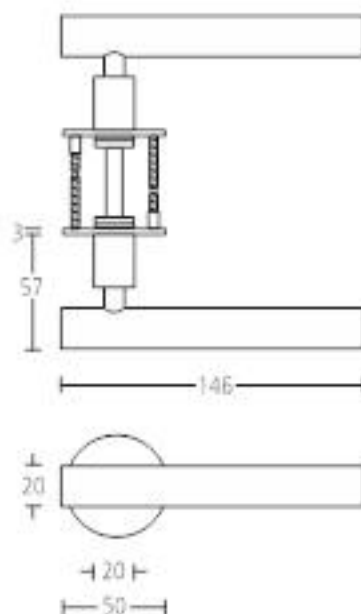
3545
Modric lever handles on concealed Quadaxial fixing roses.
Finishes: SS • PS



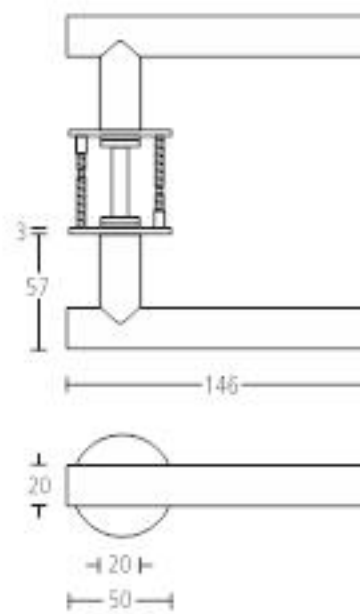
modric @ allgood



3550
Modric lever handles on concealed Quadaxial fixing roses.
Finishes: SS • PS



3560
Modric lever handles on concealed Quadaxial fixing roses.
Finishes: SS • PS



The unique feature of Allgood lever handles is the Quadaxial rose assembly. This provides a corrosion resistant, maintenance free solution.

All Modric lever sets have independent test evidence to BS EN 1906, classification

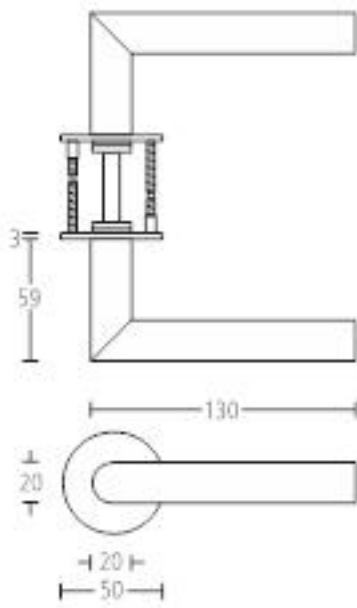
47-1140U



3570

Modric lever handles on concealed Quadaxial fixing roses.

Finishes: SS • PS



modric @ allgood

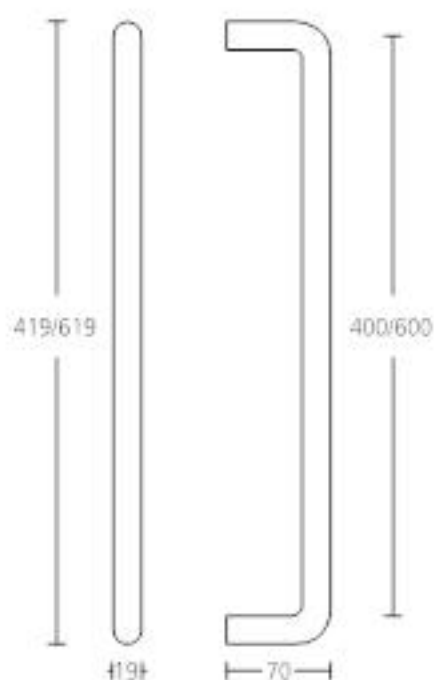


6594
Modric pull handle with bolt through fixings. 400mm centres.
Finishes: SS • PS • MA

6594BB
Pair, as above, with back-to-back fixings.

6597
Modric pull handle as 6594 but with 600mm centres.

6597BB
Pair, as above, with back-to-back fixings.

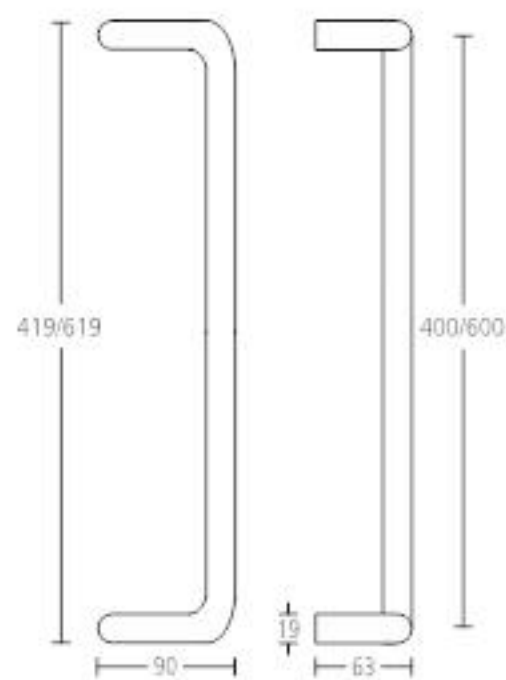


6594C
Modric cranked pull handle with bolt through fixings. 400mm centres.
Finishes: SS • PS • MA

6594CBB
Pair, as above, with back-to-back fixings.

6597C
Modric cranked pull handle as 6594C but with 600mm centres.

6597CBB
Pair, as above, with back-to-back fixings.



Other lengths available to special order. Please note, the maximum recommended fixing centres for handles utilising two fixings is 1200mm. Please contact Allgood for specification advice.

Pull handles

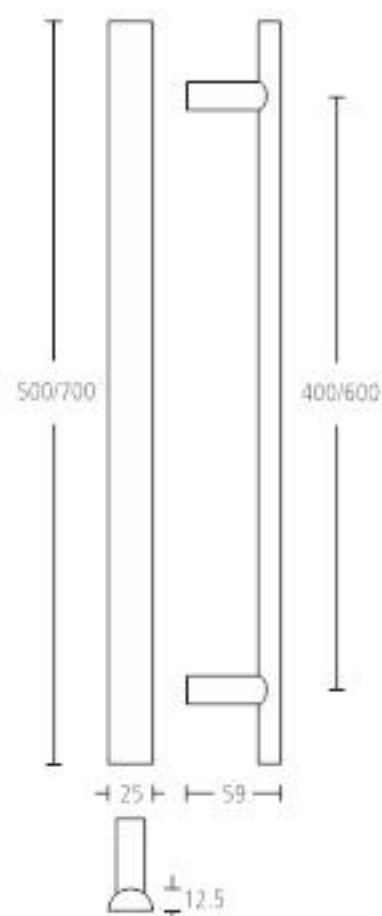


1720
Modric pull handle with bolt through fixings.
400mm centres.
Finishes: SS • PS

1720BB
Pair, as above, with back-to-back fixings.

1721
Modric pull handle as 1720 but with 600mm centres.

1721BB
Pair, as above, with back-to-back fixings.

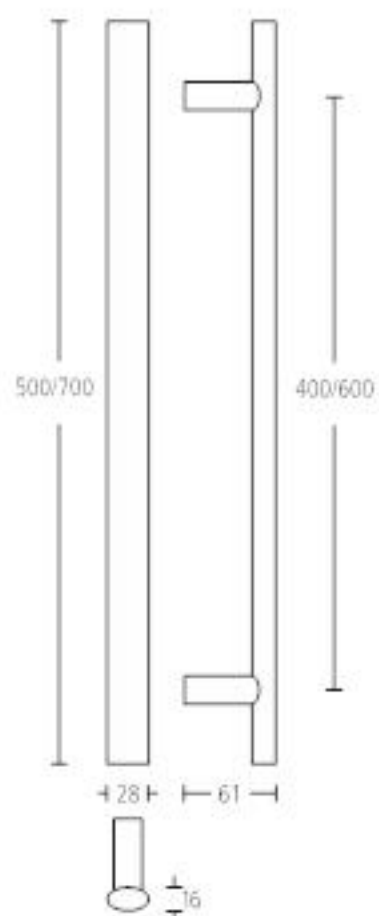


1730
Modric pull handle with bolt through fixings.
400mm centres.
Finishes: SS • PS

1730BB
Pair, as above, with back-to-back fixings

1731
Modric pull handle as 1730 but with 600mm centres.

1731BB
Pair, as above, with back-to-back fixings



1740
Modric pull handle with bolt through fixings.
400mm centres.
Finishes: SS • PS

1740BB
Pair, as above, with back-to-back fixings

1741
Modric pull handle as 1740 but with 600mm centres.

1741BB
Pair, as above, with back-to-back fixings



modric @ allgood

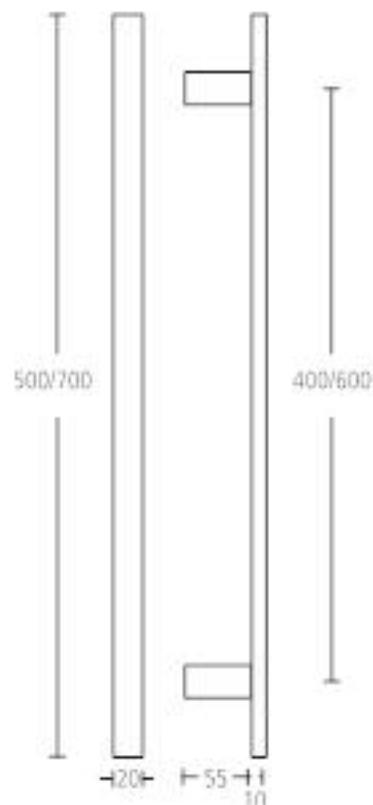


1745
Modric pull handle with bolt through fixings.
400mm centres.
Finishes: SS • PS

1745BB
Pair, as above, with back-to-back fixings

1746
Modric pull handle as 1745 but with 600mm centres.

1746BB
Pair, as above, with back-to-back fixings

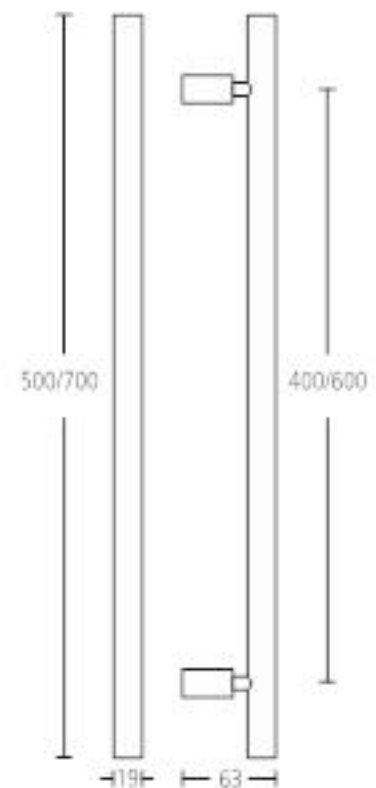


1750
Modric pull handle with bolt through fixings.
400mm centres.
Finishes: SS • PS

1750BB
Pair, as above, with back-to-back fixings

1751
Modric pull handle as 1750 but with 600mm centres.

1751BB
Pair, as above, with back-to-back fixings



Other lengths available to special order. Please note, the maximum recommended fixing centres for handles utilising two fixings is 1200mm. Please contact Allgood for specification advice.

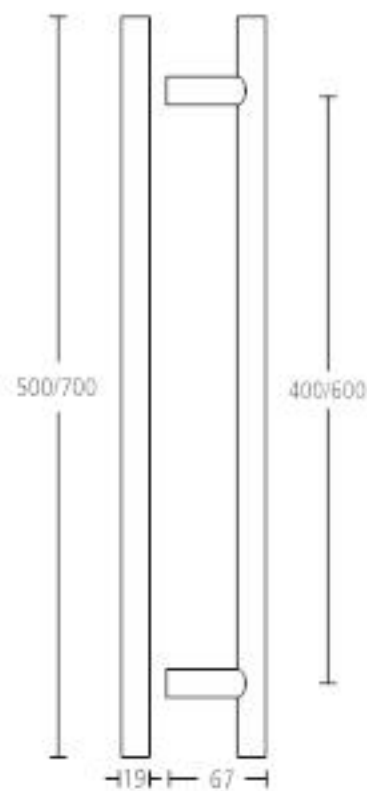


1760
 Modric pull handle with bolt through fixings.
 400mm centres.
Finishes: SS • PS

1760BB
 Pair, as above, with back-to-back fixings

1761
 Modric pull handle as 1760 but with 600mm centres.

1761BB
 Pair, as above, with back-to-back fixings

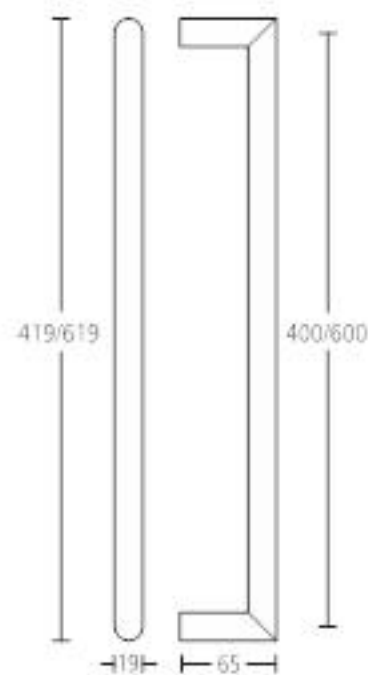


1770
 Modric pull handle with bolt through fixings.
 400mm centres.
Finishes: SS • PS

1770BB
 Pair, as above, with back-to-back fixings

1771
 Modric pull handle as 1770 but with 600mm centres.

1771BB
 Pair, as above, with back-to-back fixings





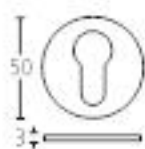
3. accessories

Escutcheons and WC turns	30-31
Push and kick plates	32-33
Door stops	34-35
Coat hooks	36-37
Flush and ledge pulls	38-39
Door signage	40-41
Mandatory signage	42-43

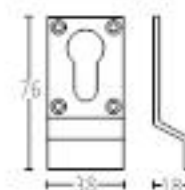
accessories



796Q
Euro profile cylinder escutcheon.
Finishes: SS • PS • MA



8
Euro profile cylinder pull.
Finishes: SS • PS • MA



98580
Escutcheon for use with 8397 lock.
Finish: SS (XX98580SS)



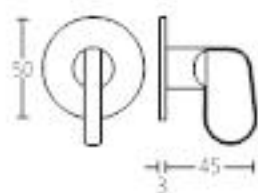
Escutcheons and WC turns



771Q2532

WC turn on concealed fixing rose.

Finishes: SS • PS • MA



771Q2531

WC turn on concealed fixing rose.

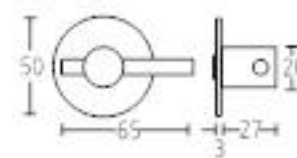
Finishes: SS • PS • MA



13010

WC turn on concealed fixing rose.

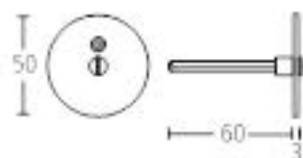
Finishes: SS • PS



779Q

Emergency release with external indicator.

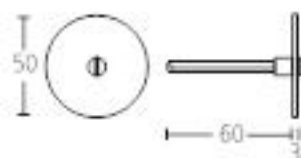
Finishes: SS • PS • MA



786Q

Emergency release.

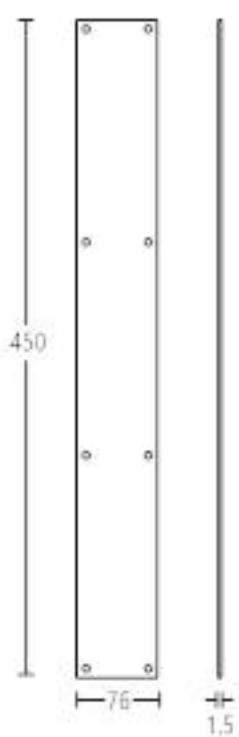
Finishes: SS • PS • MA



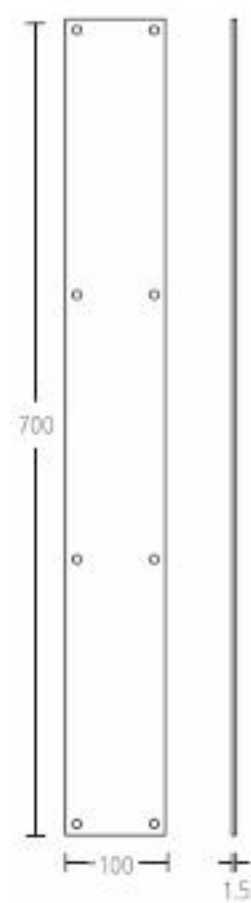
accessories



6801G
Push plate.
Finishes: SS • PS • MA



6801K
Push plate.
Finishes: SS • PS • MA





6851

Kick plate.

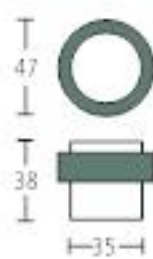
- 1.5mm thick
- Dimensions to suit any application

Finishes: SS • PS • MA

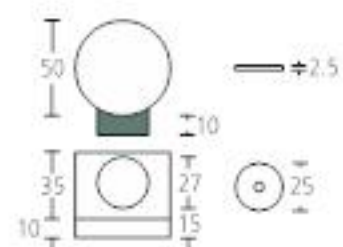
accessories



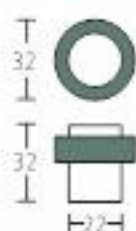
2301
Door stop.
Finishes: SS • PS • MA



2304
Magnetic door holder.
Finishes: SS • PS



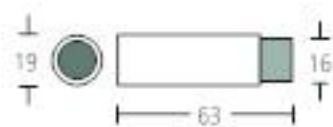
2302
Door stop
Finishes: SS • PS • MA



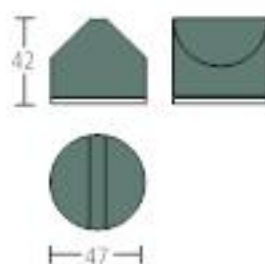
Door stops



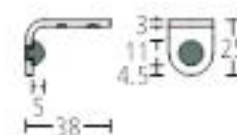
2305
Door stop.
Finishes: SS • PS • MA



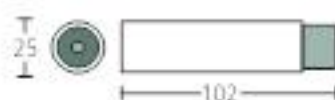
2311
Door stop.
Finishes: SS • PS • MA



2309
Door stop
Finishes: SS • PS



2307
Door stop.
Finishes: SS • PS • MA



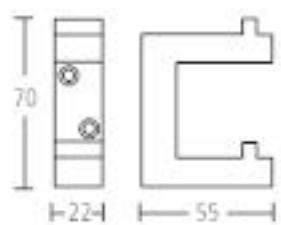
2308
Door bumper.
Finishes: SS • PS • MA



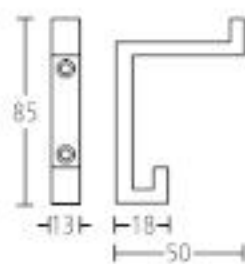
accessories



6546
Coat hook.
Finish: MA



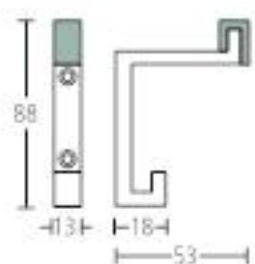
6550
Coat hook.
Finish: MA



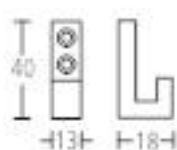
Coat hooks



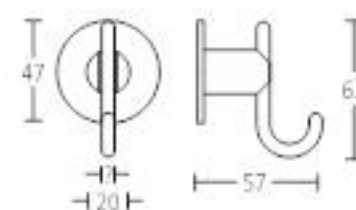
6551
Buffered coat hook.
Finish: MA



6555
Coat hook.
Finish: MA



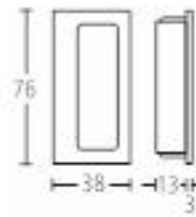
6557
Coat hook.
Finishes: ST • SP



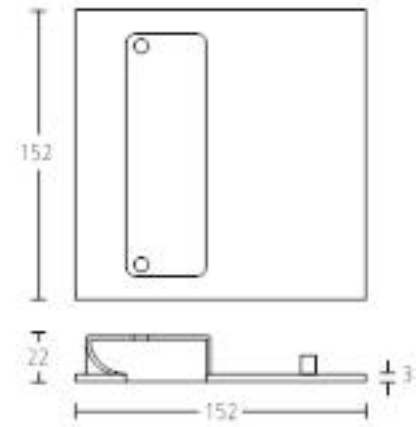
accessories



6215
Flush pull handle.
Finishes: SS • PS • MA



6250
Flush pull handle. Tested to BS EN 1634 for 30 and 60 minutes.
Finishes: SS • PS • MA



6250FP
Intumescent pack for 6250 and 6260 flush pull handles.
Finish: XX

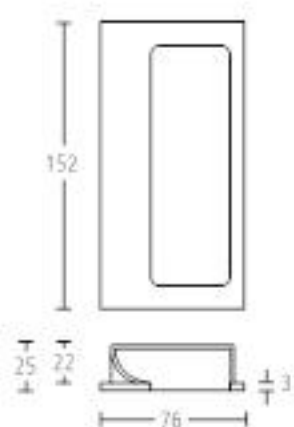
Flush and ledge pulls



6260

Flush pull handle. Tested to BS EN 1634 for 30 and 60 minutes.

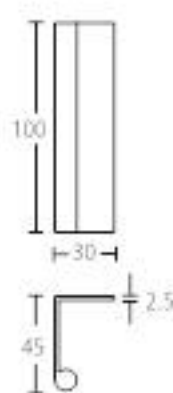
Finishes: SS • PS • MA



1714/10

Ledge pull.

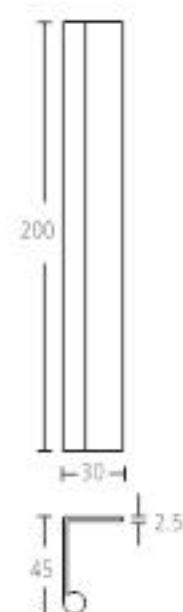
Finishes: SS (XX1714/1S)
PS (XX1714/1P)



1714/20

Ledge pull.

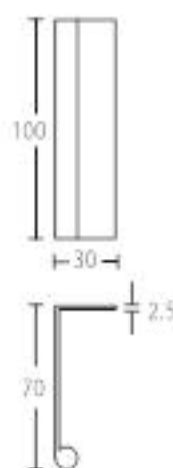
Finishes: SS (XX1714/2S)
PS (XX1714/2P)



1716/10

As above but with 70mm projection.

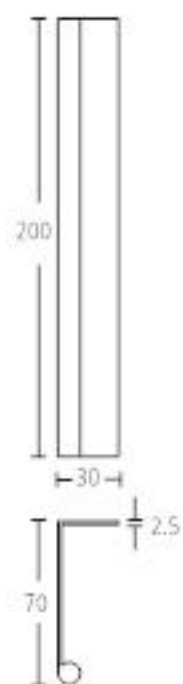
Finishes: SS (XX1716/1S)
PS (XX1716/1P)



1716/20

As above but with 70mm projection.

Finishes: SS (XX1716/2S)
PS (XX1716/2P)



accessories



8432

'Male' sign.

Finishes: SS • PS • MA



8433

'Female' sign.

Finishes: SS • PS • MA



8440

'No Smoking' sign.

Finishes: SS • PS • MA



8456

'Shower' sign.

Finishes: SS • PS • MA



Door signage



8434
'Unisex' sign.
Finishes: SS • PS • MA



8435
'Disabled' sign.
Finishes: SS • PS • MA



8436
'Ambulant' sign.
Finishes: SS • PS • MA



8457
'Baby change' sign.
Finishes: SS • PS • MA



8458
'Cloakroom' sign.
Finishes: SS • PS • MA



8459
'First aid' sign.
Finishes: SS • PS • MA



accessories



8447
'Automatic fire door keep clear' sign.
Finishes: SS • PS • MA



8448
'Fire door keep locked' sign.
Finishes: SS • PS • MA





8449
'Fire door keep shut' sign.
Finishes: SS • PS • MA



30057
'Push bar to open' sign.
Finish: XX (plastic)







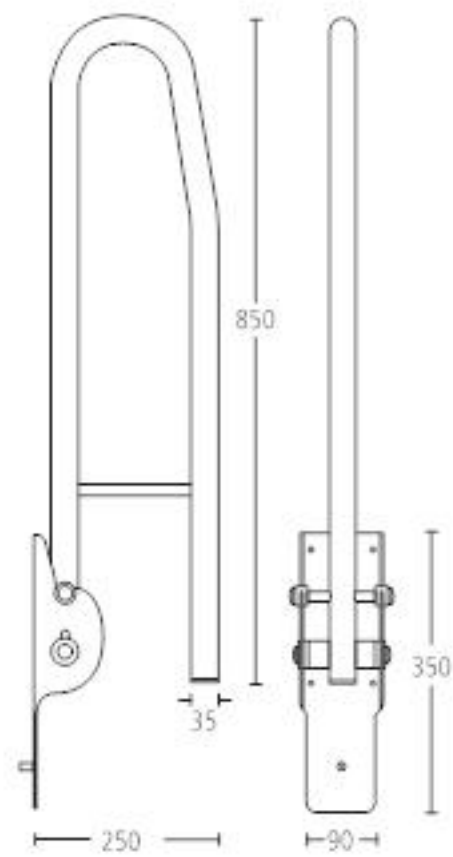
4. washroom

Doc M grab rails	46-47
Dispensers and bins	48-51

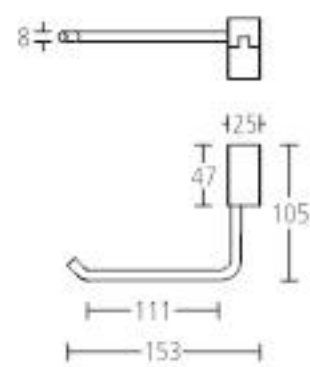
Washroom



16000N
Lift-up grab rail.
Finish: SS



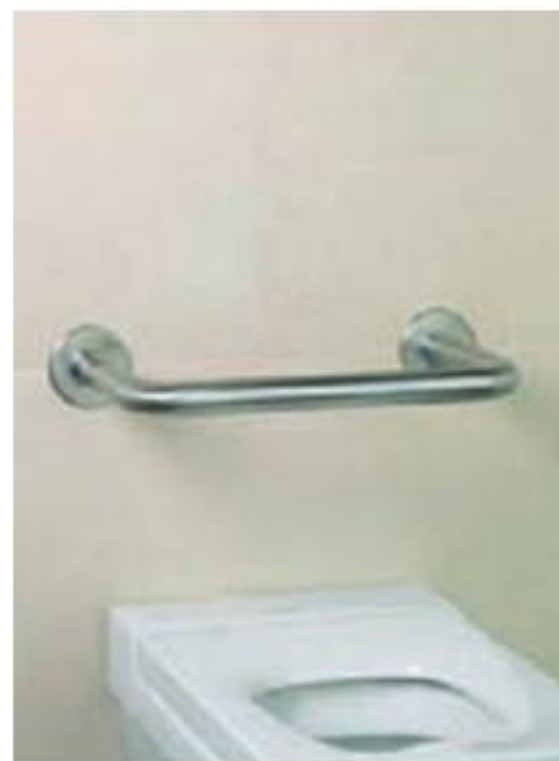
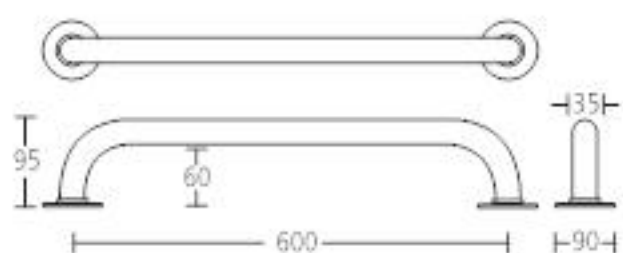
16000TR
Clip on toilet roll holder for use with
16000N.
Finish: SS



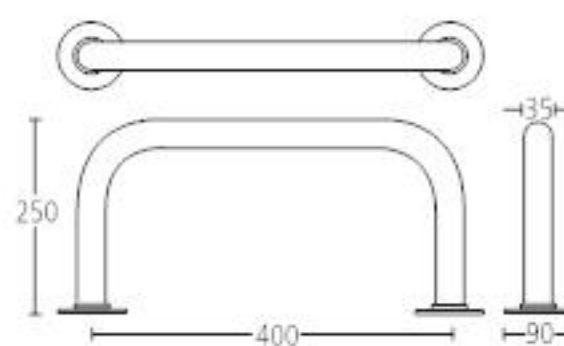
Doc M grab rails



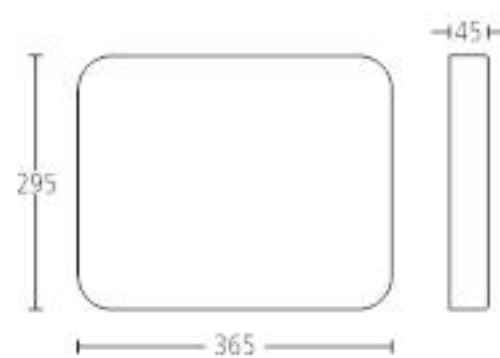
16001N
Grab rail.
Finish: SS



16002N
Backrest rail.
Finish: SS



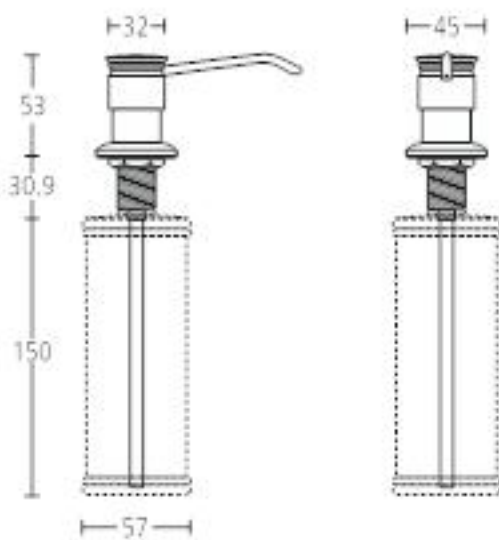
16002P
Backrest pad for use with 16002N.
Finish: XX (white vinyl)



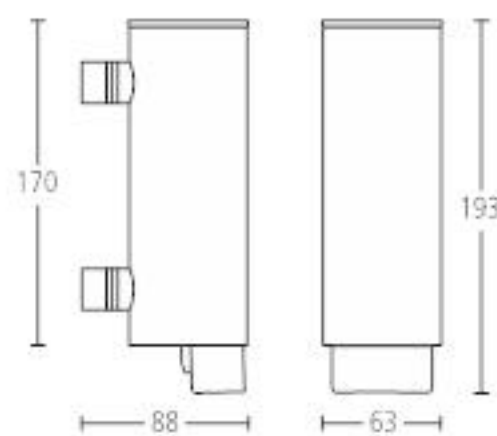
Washroom



98510
Counter mounted soap dispenser.
Finish: SS



98515
Wall mounted soap dispenser.
Finish: SS

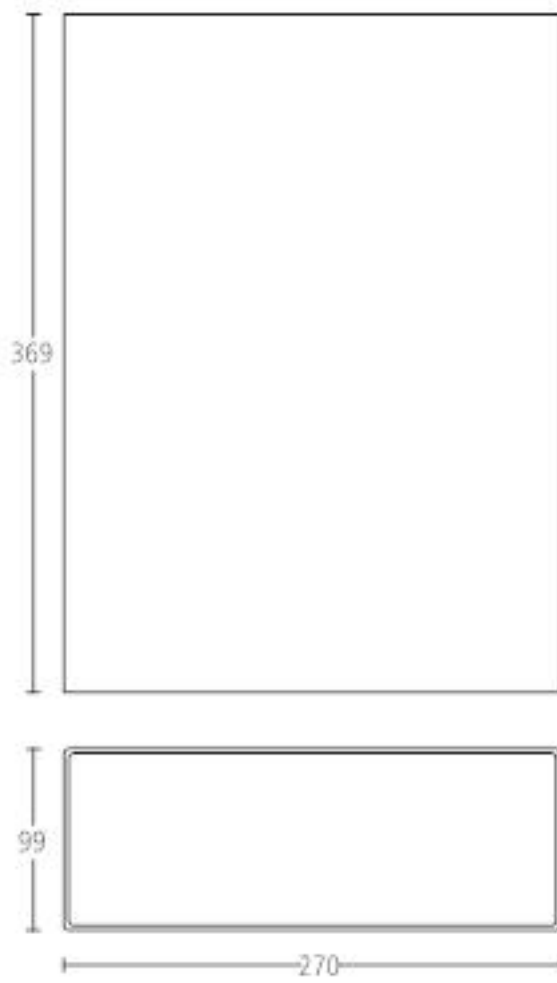




98520

Wall mounted waste bin.

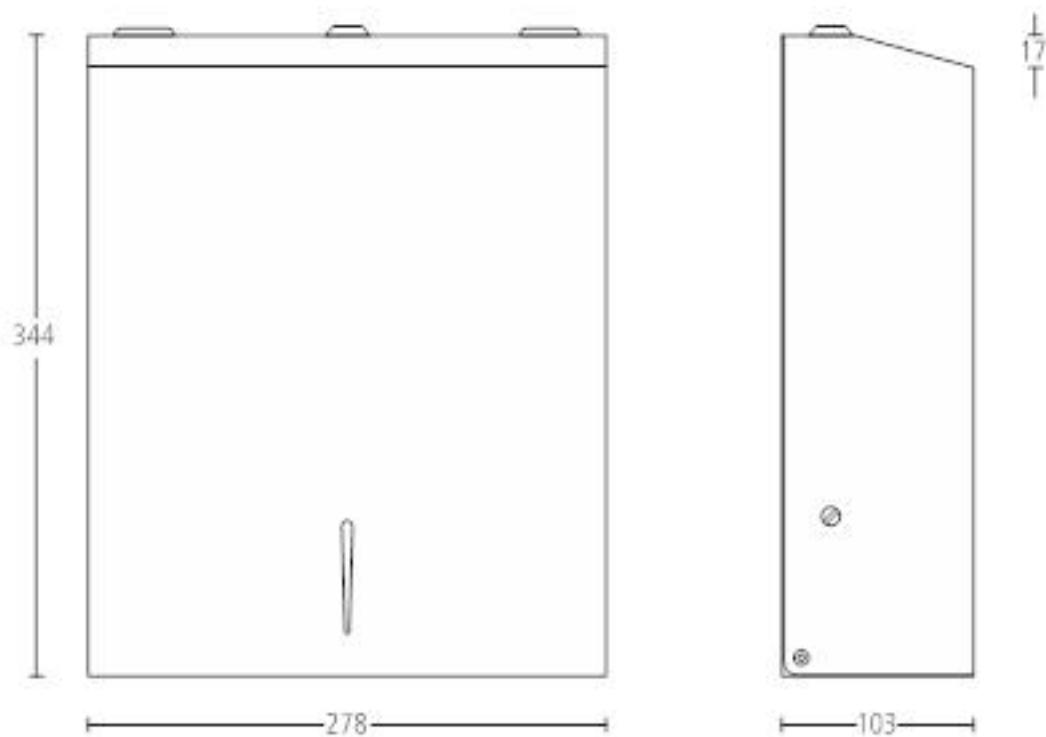
Finish: SS



Washroom

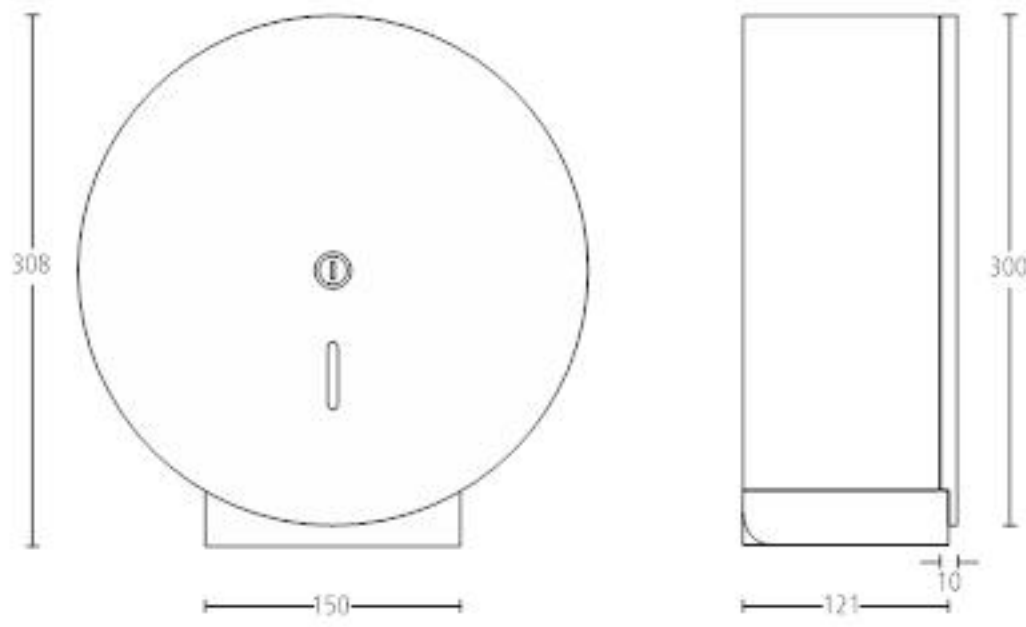


98530
Wall mounted paper towel dispenser.
Finish: SS





98540
Wall mounted maxi roll dispenser.
Finish: SS





5. @lgood hardware



Hinges	54-57
Floor springs	58-61
Floor spring accessories	62-65
Cubicle pivot sets and pivots	66-67
Overhead door closers	68-69
Slide arm overhead door closers	70-71
Electrohydraulic and swing free overhead door closers	72-73
Concealed overhead door closers	74-77
Selectors and stays	78-79
Electromagnetic hold open devices	80-81
Automatic door operators	82-83
Push pads and power transfer devices	84-85
71' series locks	86-89
71' series accessories	90-91
99' series redlocks	92-94
Solenoid redlocks	94-95
Cylinders	96-97
Cubicle deadlocks and roller catches	98-99
Electromagnet shearlocks	100-101
Surface mounted electromagnets	102-103
Panic hardware	104-105
Flushbolts	106-107
Flushbolt accessories	108-109
Spindles	110-111
Miscellaneous hardware	112

@lgood hardware

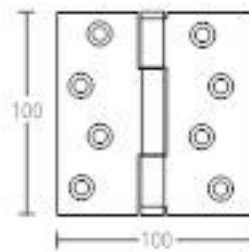


8064CB

Butt hinge.

- Load bearing capacity to 120kg
- Concealed self-lubricating bearings
- Maintenance free
- Complete with stainless steel wood screws for timber door fixings
- Independently tested to BS EN 1935 [\[476114013\]](#)
- CE marked 1121-CPD-AC0099
- Certifire approved CF287
- Incorporated in successful fire tests and assessed to BS EN 1634-1 and BS 476 Pt 22 up to 90 minutes on timber doors and 120 minutes on metal doors
- 25 year guarantee

Finishes: SS • PS



8064RCB

As above but with 10mm radius corners.

Finishes: SS • PS

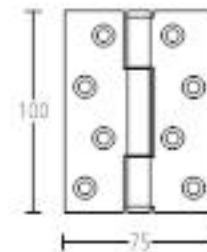


8066CB

Butt hinge.

- Load bearing capacity to 120kg
- Concealed self-lubricating bearings
- Maintenance free
- Complete with stainless steel wood screws for timber door fixings
- Independently tested to BS EN 1935 [\[476114013\]](#)
- CE marked 1121-CPD-AC0099
- Certifire approved CF287
- Incorporated in successful fire tests and assessed to BS EN 1634-1 and BS 476 Pt 22 up to 90 minutes on timber doors and 120 minutes on metal doors
- 25 year guarantee

Finishes: SS • PS



8066RCB

As above but with 10mm radius corners.

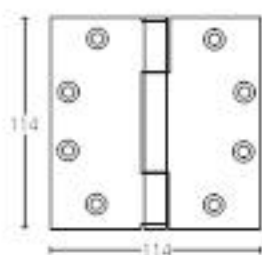
Finishes: SS • PS

**8068CB**

Butt hinge.

- Load bearing capacity to 120kg
- Concealed self-lubricating bearings
- Maintenance free
- Complete with M6 12MT posidrive truncated undercut stainless steel machine screws for metal door fixings
- Independently tested to BS EN 1935 47761114013
- CE marked 1121-CPD-AC0099
- Certifire approved CF287
- Incorporated in successful fire tests and assessed to BS EN 1634-1 and BS 476 Pt 22 up to 90 minutes on timber doors and 120 minutes on metal doors
- 25 year guarantee

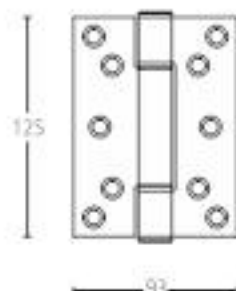
Finishes: SS • PS

**8069CB**

Butt hinge.

- Load bearing capacity to 200kg
- Self-lubricating bearings
- Maintenance free
- Complete with stainless steel wood screws for timber door fixings
- Independently tested to BS EN 1935 47771114014
- CE marked 1121-CPD-AC0120
- Certifire approved CF287
- Incorporated in successful fire tests and assessed to BS EN 1634-1 and BS 476 Pt 22 up to 90 minutes on timber doors and 120 minutes on metal doors
- 25 year guarantee

Finishes: SS • PS

**8069MT**

Metal threaded screws for use with 8069CB hinge on metal doors. One pack per hinge.

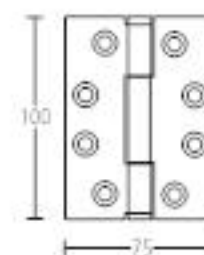
Finish: XX

**8080CB**

Butt hinge.

- Load bearing capacity to 120kg
- Concealed self-lubricating bearings
- Maintenance free
- Complete with M6 12MT posidrive truncated undercut stainless steel machine screws for metal door fixings
- Independently tested to BS EN 1935 47761114013
- CE marked 1121-CPD-AC0099
- Certifire approved CF287
- Incorporated in successful fire tests and assessed to BS EN 1634-1 and BS 476 Pt 22 up to 90 minutes on timber doors and 120 minutes on metal doors
- 25 year guarantee

Finishes: SS • PS



@lgood hardware

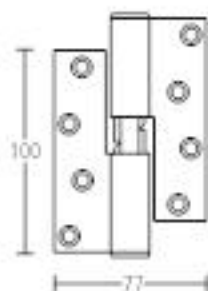


8025L/R

Rising butt hinge.

- STATE HAND (EG. 8025L or 8025R)
- Left hand shown
- Load bearing capacity to 60kg
- Requires regular lubrication
- Minimum door thickness: 29mm
- Only 2 butt hinges required per door

Finishes: SS • PS

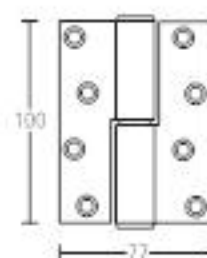


8026L/R

Falling butt hinge.

- STATE HAND (EG. 8026L or 8026R)
- Right hand shown
- Load bearing capacity to 60kg
- Requires regular lubrication
- Minimum door thickness: 29mm
- Only 2 butt hinges required per door

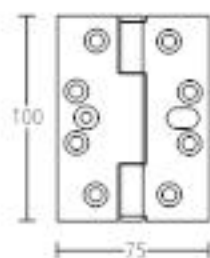
Finishes: SS • PS



**8081CB**

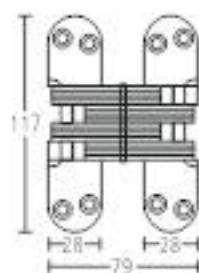
Butt hinge.

- Complete with integral security bolt
- Load bearing capacity to 120kg
- Concealed self-lubricating bearings
- Maintenance free
- Complete with stainless steel wood screws for timber door fixings
- Independently tested to BS EN 1935 [\[4761114013\]](#)
- CE marked 1121-CPD-AC0099
- Certifire approved CF287
- Incorporated in successful fire tests and assessed to BS EN 1634-1 and BS 476 Pt 22 up to 90 minutes on timber doors and 120 minutes on metal doors
- 25 year guarantee

Finishes: SS • PS**10218NP**

Concealed hinge.

- Minimum door thickness: 41mm
- Incorporated in successful fire tests and assessed to BS 476 Pt 22 up to 30 minutes.

Finish: XX (Nickel plated)**8064FP**

Intumescent pack for 8064CB hinges.

Finish: XX**8066FP**

Intumescent for 8066CB, 8080CB and 8081CB hinge.

Finish: XX**8068FP**

Intumescent for 8068CB hinges.

Finish: XX**8069FP**

Intumescent for 8069CB hinges.

Finish: XX

@llygood hardware



9331

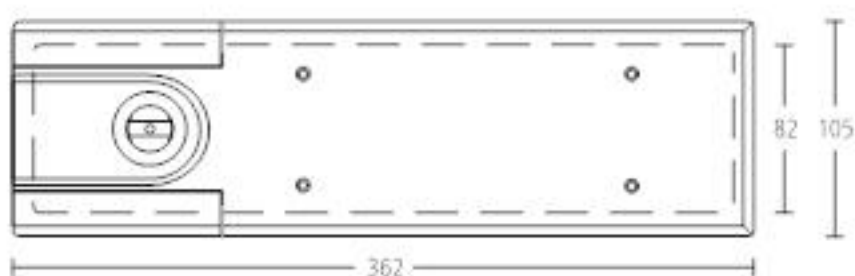
Commander floor spring and cover plate.

- Adjustable power (3-6)
- Adjustable closing speed
- Fixed backcheck operational from 70°
- Maximum door weight: 300kg
- Independently tested to BS EN 1154
3863114
- CE marked 0672-CPD-0229/32
- Certifire approved CF731
- Incorporated in successful fire tests and assessed to BS EN 1634-1 and BS 476 Pt 22 up to 90 minutes on timber doors
- 10 year guarantee

Finishes: SS • PS

Options

- 9331SL Single action, left hand
- 9331SR Single action, right hand
- 9331D Double action



Note:

9331 floor spring does not come with straps and top centres. Please specify the relevant accessories for your application (page 62-63).

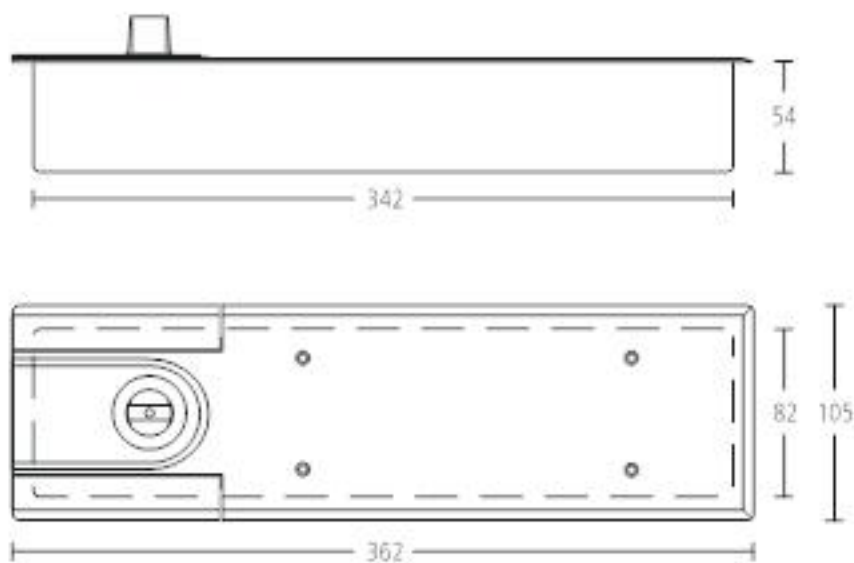


933150

Commander hold open floor spring and cover plate.

- Adjustable power (3-6)
- Adjustable closing speed
- Fixed backcheck operational from 70°
- Maximum door weight: 300kg
- Independently tested to BS EN 1154
3863114
- 10 year guarantee

Finishes: SS • PS



Note:

933150 floor spring does not come with straps and top centres. Please specify the relevant accessories for your application (page 62-63).

@lgood hardware

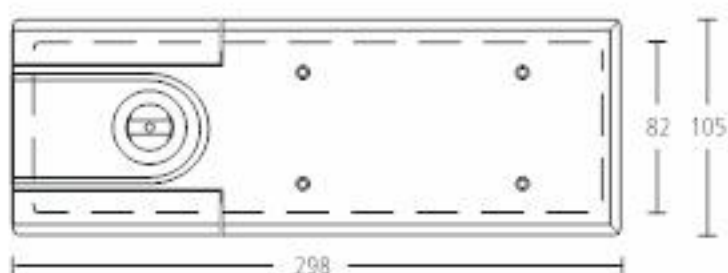


9347

Cavalier floor spring and cover plate.

- Adjustable power (1-4)
- Adjustable closing speed
- Maximum door weight: 150kg
- Fixed backcheck operational from 70°
- Hold open version available - specify 9347SO (non fire doors)
- To prevent water egress into the floor spring unit, specify XX9331XG sealing compound, which seals the floor spring into the floor box
- Independently tested to BS EN 1154
384/11114
- CE marked 0672-CPD-0230
- Certifire approved CF731
- Incorporated in successful fire tests and assessed to BS EN 1634-1 and BS 476 Pt 22 up to 60 minutes on timber doors
- 10 year guarantee

Finishes: SS · PS



Note:

9347 floor spring does not come with straps and top centres. Please specify the relevant accessories for your application (page 62-63).



9531

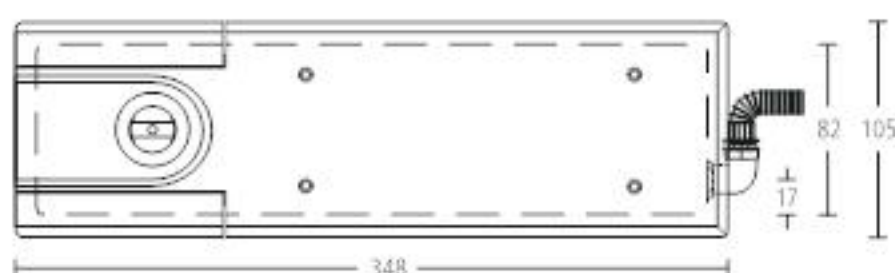
Commander electrohydraulic floor spring and cover plate.

- Electrohydraulic hold-open facility from 80° onwards
- 24V DC / 110ma
- Adjustable power (3-6)
- Adjustable closing speed
- Maximum door weight: 300kg
- Independently tested to BS EN 1155
3863114
- CE marked 0672-CPD-0231/33
- Certifire approved CF731
- Incorporated in successful fire tests and assessed to BS EN 1634-1 and BS 476 Pt 22 up to 90 minutes on timber doors
- 10 year guarantee

Finishes: SS · PS

Options

- 9531SL Single action, left hand
- 9531SR Single action, right hand
- 9531D Double action



Note:

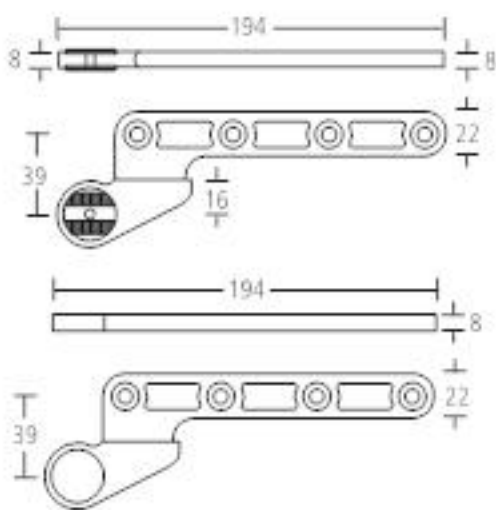
9531 floor spring does not come with straps and top centres. Please specify the relevant accessories for your application (page 62-63).

@lgood hardware



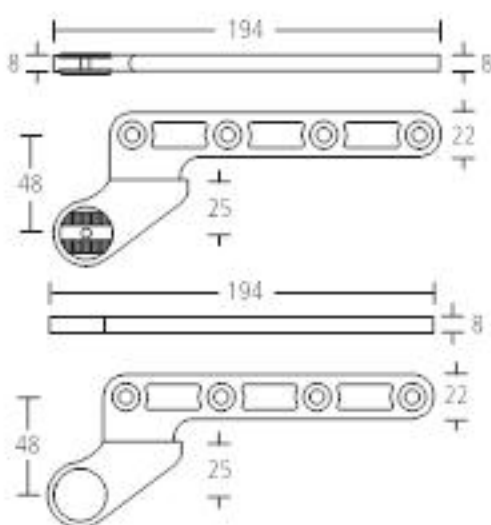
9331STC6

16mm single action offset top centre.
Finish: SS



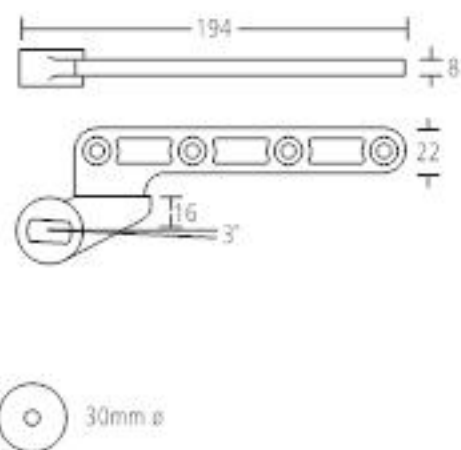
9331STC5

25mm single action offset top centre.
Finish: SS



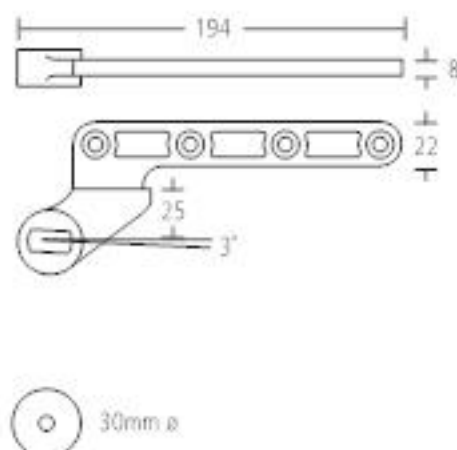
9331SBS6

16mm single action offset bottom strap.
Finish: SS



9331SBS5

25mm single action offset bottom strap.
Finish: SS

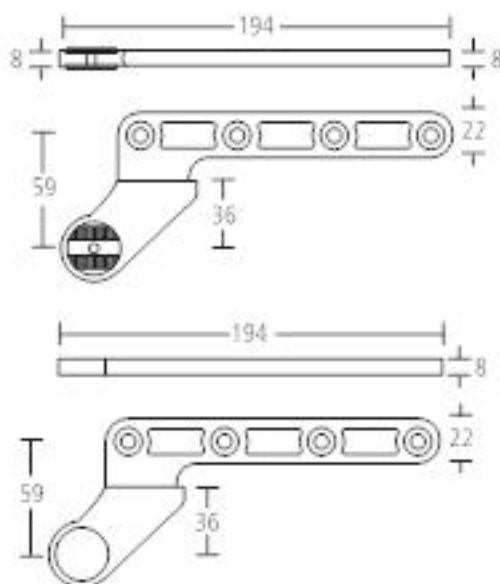


Floor spring accessories



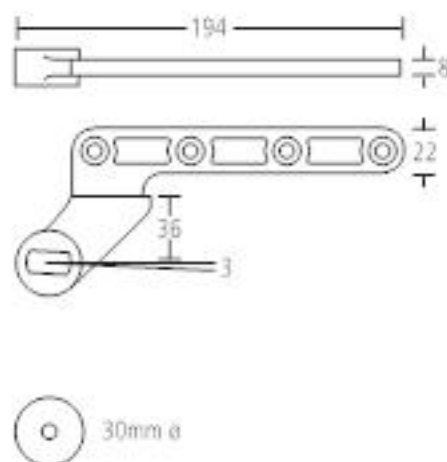
9331STC3

36mm single action offset top centre.
Finish: SS



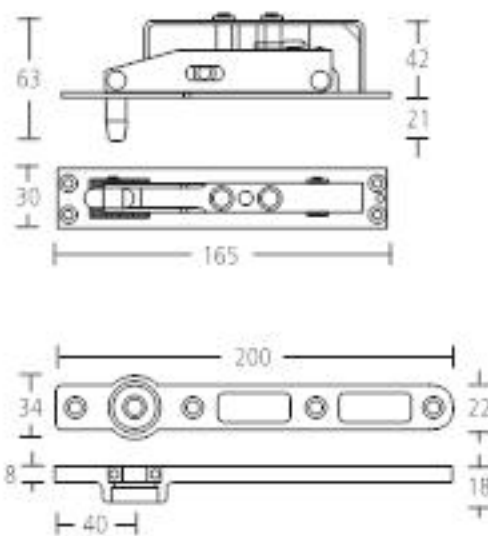
9331SBS3

36mm single action offset bottom strap.
Finish: SS



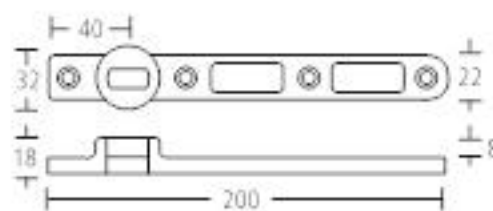
9331DTC

Double action top centre.
Finish: SS



9331DBS

Double action bottom strap.
Finish: SS



9331SP

Extension spindle for 9331, 9331SQ, 9347 and 9531 floor springs to achieve clearance from finished floor level.

Depth	Full product No.	Clearance
10mm	XX9331SP10	18mm
20mm	XX9331SP20	28mm
30mm	XX9331SP30	38mm
40mm	XX9331SP40	48mm
50mm	XX9331SP50	58mm

Finish: XX

9331SFP

Intumescent pack for single action straps.
Finish: XX

9331DFP

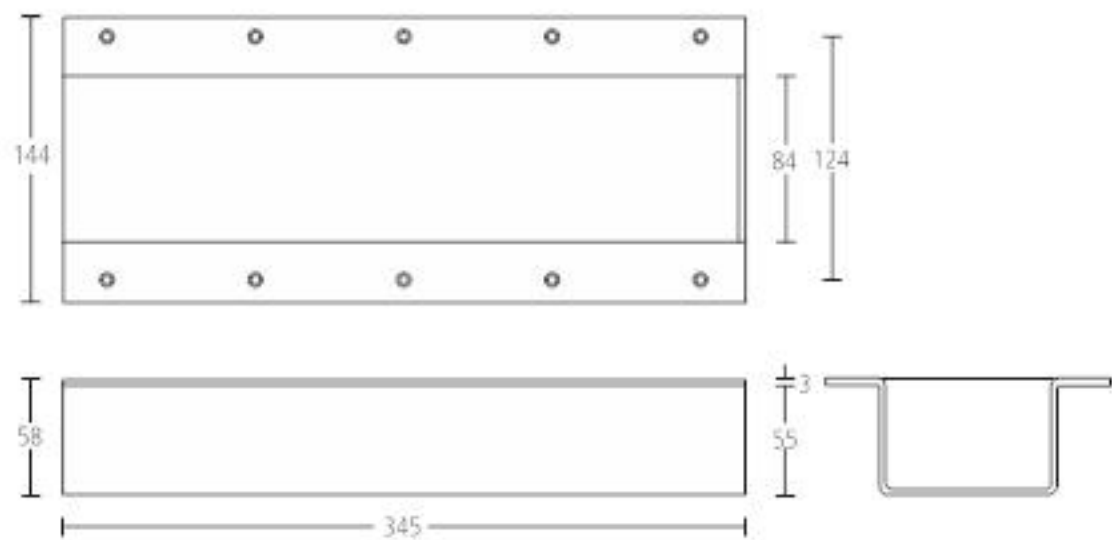
Intumescent pack for double action straps.
Finish: XX

@lgood hardware

9331CB

Coffin box for 9331 floor spring.

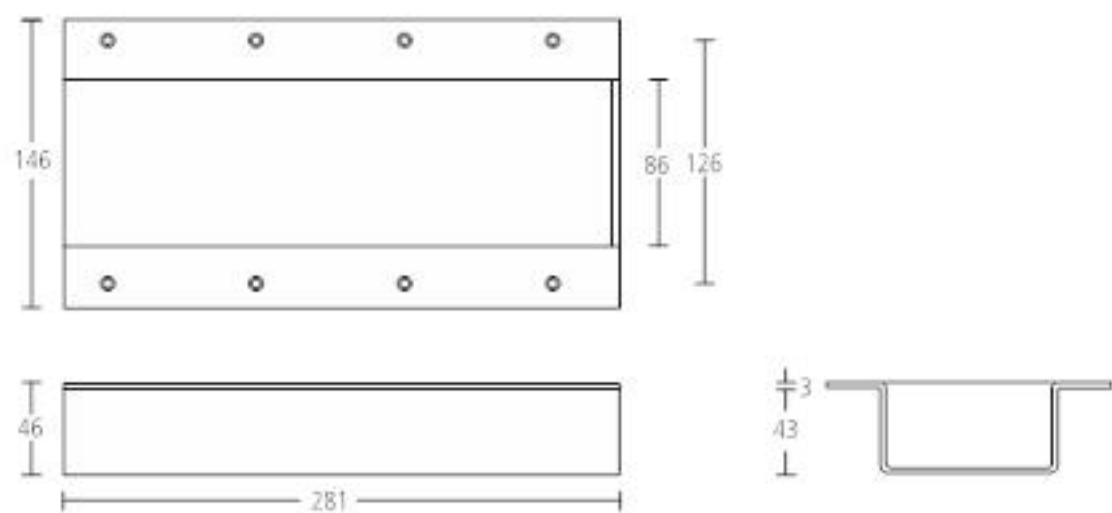
Finish: XX



9347CB

Coffin box for 9347 floor spring.

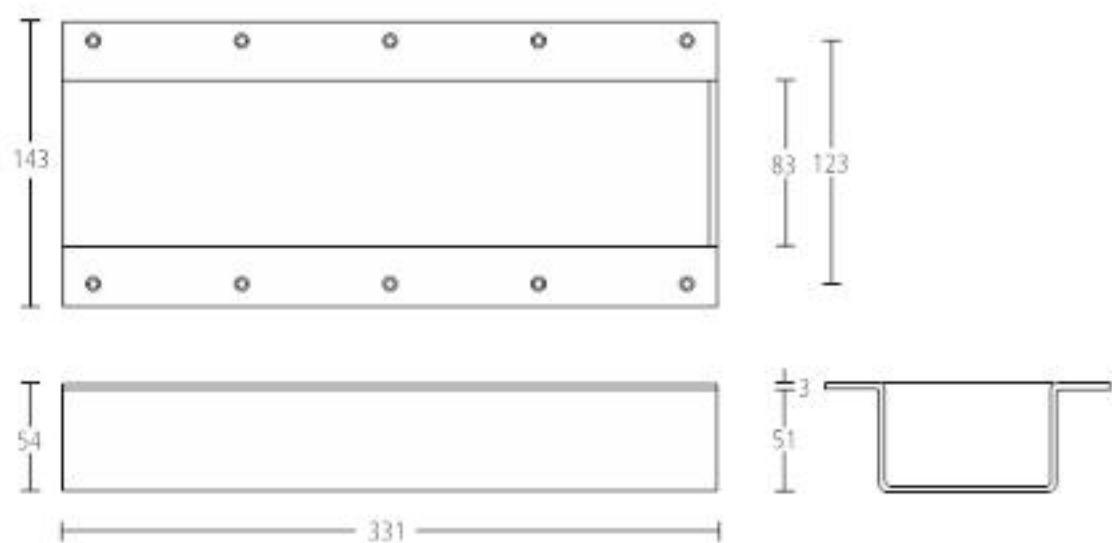
Finish: XX



9531CB

Coffin box for 9531 floor spring.

Finish: XX

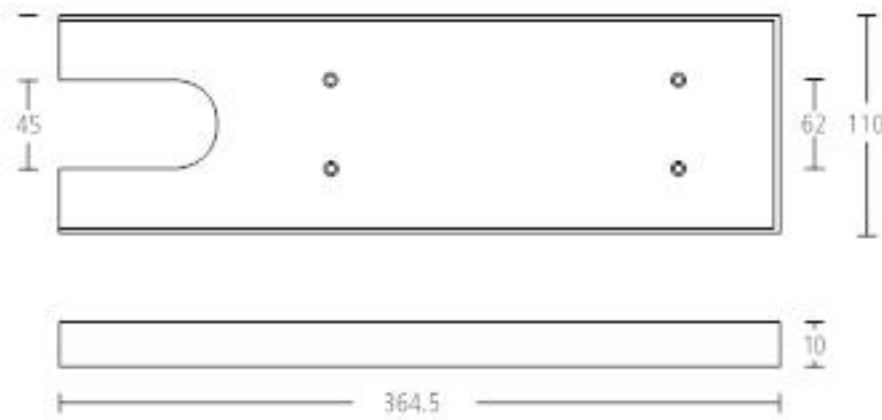


Floor springs accessories

9331CT10

Carpet tray for 9331 floor spring.

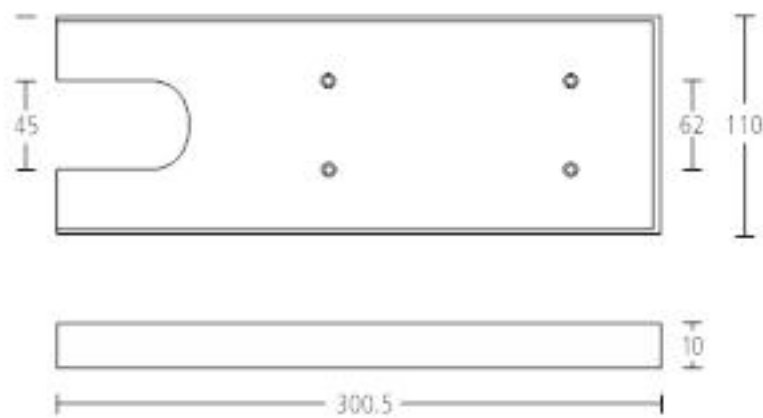
Finish: XX



9347CT10

Carpet tray for 9347 floor spring.

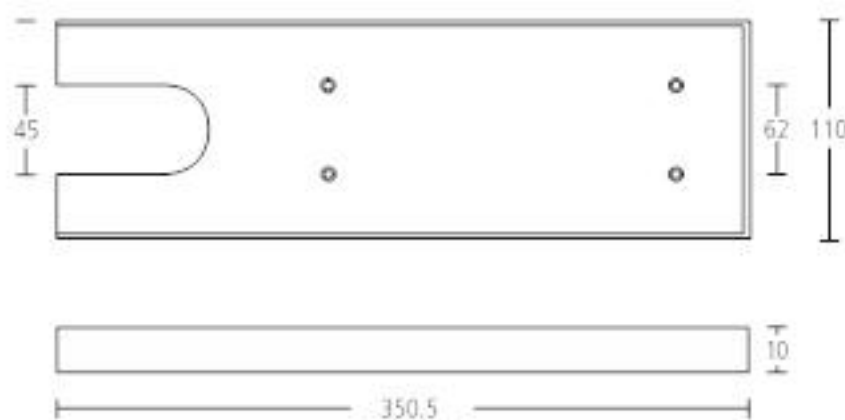
Finish: XX



9531CT10

Carpet tray for 9531 floor spring.

Finish: XX



9331CC

Cover plate for use with 9331CB coffin box.

Finish: XX

9347CC

Cover plate for use with 9347CB coffin box.

Finish: XX

9531CC

Cover plate for use with 9531CB coffin box.

Finish: XX

9331AK

Floor spring coffin box anchor kit.

Finish: XX

@lgood hardware

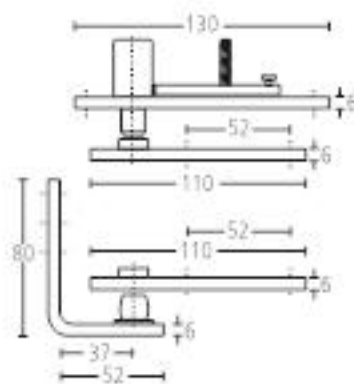


13001

Double action pivot.

- For emergency use in hospitals or wherever the ill or infirm run the risk of falling over and blocking an inward opening bathroom or toilet door
- Allows the door to swing in either direction. Specifically designed for use with the **13006** emergency release door stop
- Bottom bracket is frame mounted but must be floor supported when used on doors weighing in excess of 30kg
- Maximum door weight: 80kg
- Maximum door width: 1100mm
- Maximum door thickness: 44mm

Finish: SS



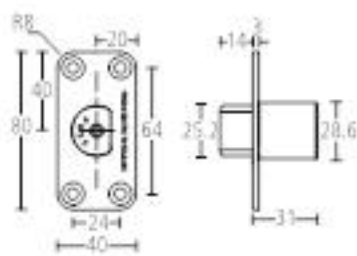


13006

Emergency release door stop.

- To be used with **13001** double action pivot. In the event of someone falling against the door on the inside, the emergency release door stop can be depressed, allowing the door to open outwards
- Stop release resets automatically
- Includes holdback facility
- Allows single action doors to operate as double action when hung on centre pivots

Finish: SS

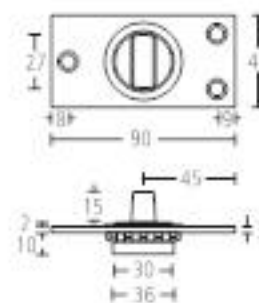


9250

Heavy duty floor pivot.

- 150kg load capacity
- Thrust roller bearing
- Extended spindle height available to special order

Finish: SS



Note:

9250 pivot does not come with straps and top centres. Please specify the relevant accessories for your application (page 62-63).

@lgood hardware

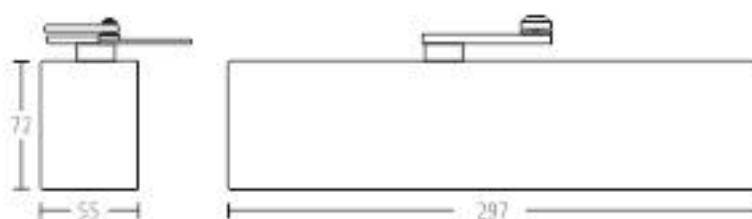


9251/6

Universal closing overhead door closer.

- Universal fixing (Fig 1 & Fig 6)
- Adjustable power 2-4 (Fig 1) and 1-3 (Fig 6)
- Adjustable closing speed with independent latch action
- Adjustable backcheck between angle of operation, 65°–180°
- Maximum door weight:
80kg (Fig1) / 60kg (Fig6)
- Maximum door width:
1100mm (Fig1) / 950mm (Fig6)
- Independently tested to BS EN 1154
484/2114 in Fig 1 application
- Independently tested to BS EN 1154
483/1114 in Fig 6 application
- CE marked 0672-CPD-0225
- Certifire approved CF704
- Incorporated in successful fire tests and assessed to BS EN 1634-1 and BS 476 Pt 22 up to 120 minutes on timber doors and 240 minutes on metal doors
- 10 year guarantee

Finishes: SS • PS • MA



Overhead door closers

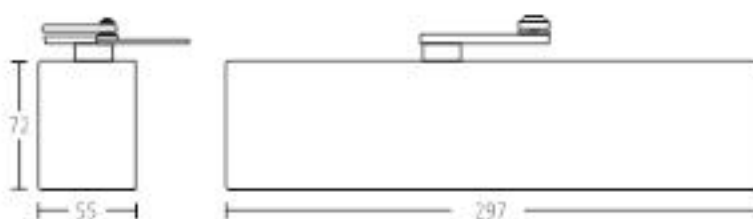


9251/6DC

Delayed closing overhead door closer.

- Delayed closing function with 0-30 second adjustable delay between 70°-180°
- Universal fixing (Fig 1 & Fig 6)
- Adjustable power 2-6 (Fig 1) and 1-5 (Fig 6)
- Adjustable closing speed with independent latch action
- Adjustable backcheck between angle of operation, 70°-180°
- Maximum door weight: 120kg (Fig1) / 100kg (Fig6)
- Maximum door width: 1400mm (Fig1) / 1250mm (Fig6)
- Independently tested to BS EN 1154 **4862114** in Fig 1 application
- Independently tested to BS EN 1154 **4851114** in Fig 6 application
- CE marked 0672-CPD-0226
- Certifire approved CF704
- Incorporated in successful fire tests and assessed to BS EN 1634-1 and BS 476 Pt 22 up to 120 minutes on timber doors and 240 minutes on metal doors
- 10 year guarantee

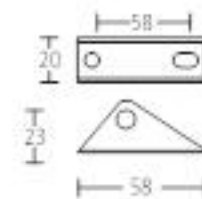
Finishes: SS • PS • MA



9251FN

Face fixing bracket to suit flush frames for use in Fig 1 applications with 9251/6 and 9251/6DC overhead door closers.

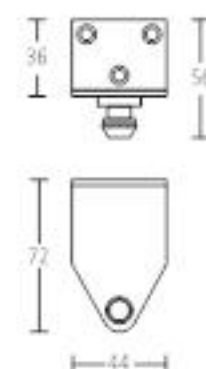
Finishes: SS • PS • MA



9256FN

Alternative face fixing bracket for use in Fig 6 applications with 9251/6 and 9251/6DC overhead door closers.

Finishes: SS • PS • MA



@lgood hardware

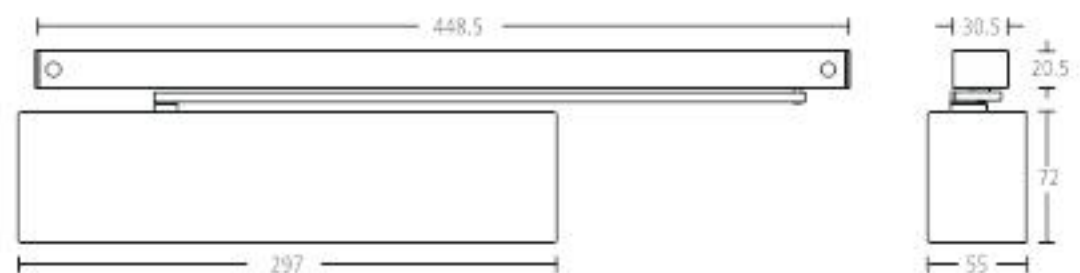


9267

Slide arm overhead door closer for single action doors.

- Fixed to opening face of door
- Adjustable power (2-3)
- Adjustable closing speed with independent latch action
- Adjustable backcheck between angle of operation, 65°–180°
- Maximum door weight: 60kg
- Maximum door width: 950mm
- Independently tested to BS EN 1154
4|8|3|2|1|1|4
- CE marked 0672-CPD-0227
- Certifire approved CF703
- Incorporated in successful fire tests and assessed to BS EN 1634-1 and BS 476 Pt 22 up to 120 minutes on timber doors and 240 minutes on metal doors
- 10 year guarantee

Finishes: SS · PS · MA





9268

Slide arm overhead door closer.

- Fixed to opening face of door
- Adjustable power (3-6)
- Adjustable closing speed with independent latch action
- Adjustable backcheck between angle of operation, 70°–180°
- Maximum door weight: 120kg
- Maximum door width: 1400mm
- Independently tested to BS EN 1154
3|8|3|6|1|1|4
- CE marked 0432-CPD-0010.01
- Certifire approved CF703
- Incorporated in successful fire tests and assessed to BS EN 1634-1 and BS 476 Pt 22 up to 120 minutes on timber doors and 240 minutes on metal doors
- 10 year guarantee

Finishes: SS • PS • MA



@lgood hardware



9551

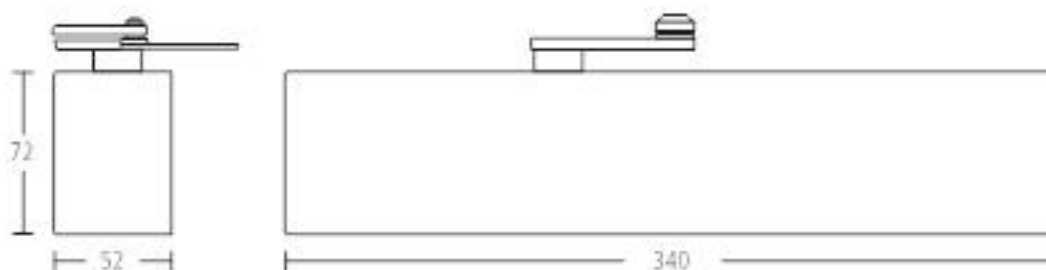
Electrohydraulic hold-open overhead door closer.

- Electrohydraulic hold-open facility from 80°–180°
- 24 V DC / 45 ma
- Fixed to opening face of door
- Complete with black loop (9581 armoured loop sold separately)
- Adjustable power (1-6)
- Adjustable closing speed
- Maximum door weight: 120kg
- Maximum door width: 1400mm
- Independently tested to BS EN 1155
386/1114
- CE marked 1121-CPD-0228
- Certifire approved CF704
- Incorporated in successful fire tests and assessed to BS EN 1634-1 and BS 476 Pt 22 up to 120 minutes on timber doors and 240 minutes on metal doors
- 10 year guarantee

Finishes: SS • PS • MA

Options

- 9551L Single action, left hand
- 9551R Single action, right hand



Electrohydraulic and swing free overhead door closers



9571

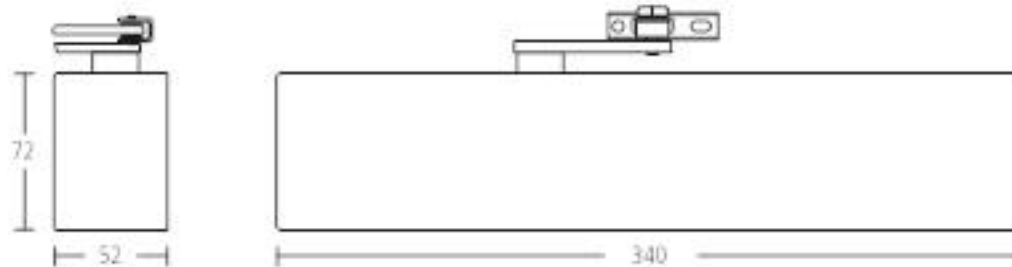
Swing-free overhead door closer.

- 24 V DC / 45 ma
- Fixed to opening face of door
- Complete with black loop (9581 armoured loop sold separately)
- Adjustable power (1-6)
- Adjustable closing speed
- Maximum door weight: 120kg
- Maximum door width: 1400mm
- Independently tested to BS EN 1155
3861114
- CE marked 1121-CPD-0228
- Certifire approved CF704
- Incorporated in successful fire tests and assessed to BS EN 1634-1 and BS 476 Pt 22 up to 120 minutes on timber doors and 240 minutes on metal doors
- 10 year guarantee

Finishes: SS • PS • MA

Options

- 9571L Single action, left hand
- 9571R Single action, right hand

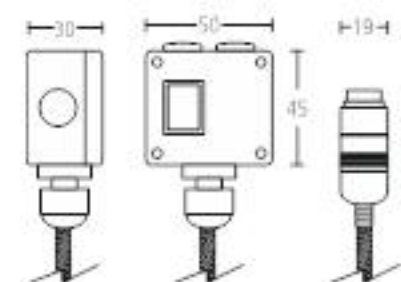


9581

Surface mounted armoured loop.

- Alternative bracket to be used with 9551L/R or 9571L/R door closers
- For timber and metal door frames

Finish: XX



@lgood hardware

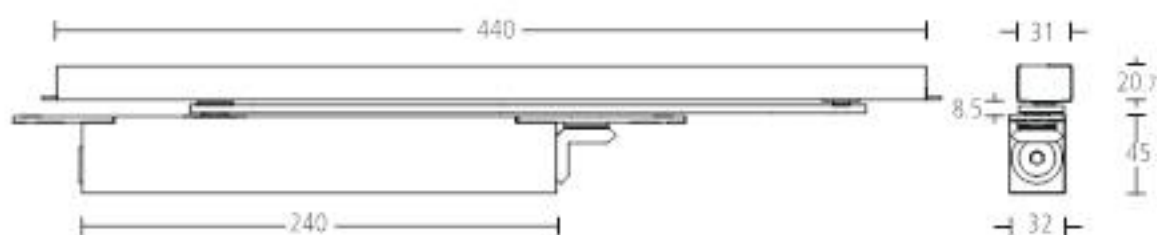


9133S

Fully concealed overhead door closer for single action doors.

- Adjustable power (2-4)
- Maximum door weight: 130kg
- Maximum door width: 1100mm
- Minimum door thickness: 40mm
- Independently tested to BS EN 1154
3|8|4|2|1|1|4
- CE marked 0672-CPD-0069
- Certifire approved CF242
- Incorporated in successful fire tests and assessed to BS EN 1634-1 and BS 476 Pt 22 up to 60 minutes on timber doors and 240 minutes on metal doors
- 10 year guarantee

Finishes: SS • PS



9133SE

As above, but with track and arm complete with electrical hold open device for single action doors.

Finishes: SS • PS

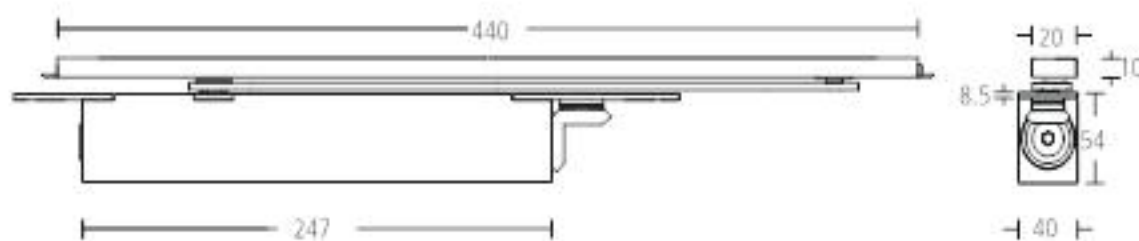
Concealed overhead door closers

**9134S**

Fully concealed overhead door closer for single action doors.

- Adjustable power (3-6)
- Maximum door weight: 180kg
- Maximum door width: 1400mm
- Minimum door thickness: 50mm
- Independently tested to BS EN 1154
3|8|4|2|1|1|4
- CE marked 0672-CPD-0069
- Certifire approved CF242
- Incorporated in successful fire tests and assessed to BS EN 1634-1 and BS 476 Pt 22 up to 60 minutes on timber doors and 240 minutes on metal doors
- 10 year guarantee

Finishes: SS · PS

**9134SE**

As above but with track and arm complete with electrical hold-open device for single action doors.

Finishes: SS · PS

9133FP

Intumescent pack for 9133S and 9133SE concealed door closers.

Finish: XX

9134FP

Intumescent pack for 9134S and 9134SE concealed door closers.

Finish: XX

@lgood hardware

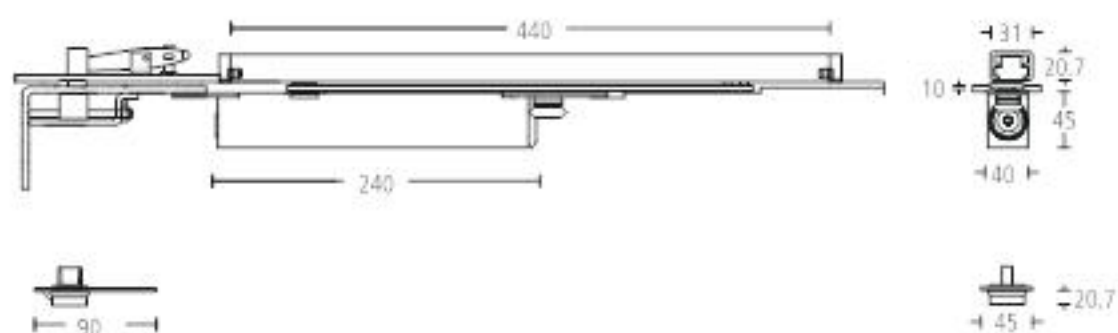


9135D

Fully concealed overhead door closer for double action doors.

- Adjustable power (2-4)
- Adjustable hydraulic backcheck
- Maximum door weight: 130kg
- Maximum door width: 1100mm
- Minimum door thickness: 40mm
- Independently tested to BS EN 1154
3|8|4|2|1|1|4
- CE marked 0672-CPD-0069
- Certifire approved CF242
- The mortice for body and slide channel must be increased by 1mm in all planes, to accommodate the XX9315FP intumescent pack
- Incorporated in successful fire tests and assessed to BS EN 1634-1 and BS 476 Pt 22 up to 60 minutes on timber doors and 240 minutes on metal doors
- 10 year guarantee

Finishes: SS • PS



9135DE

As above, but with finished track and arm complete with electrical hold open device and intumescent pack for double action doors.

Finishes: SS • PS

Concealed overhead door closers

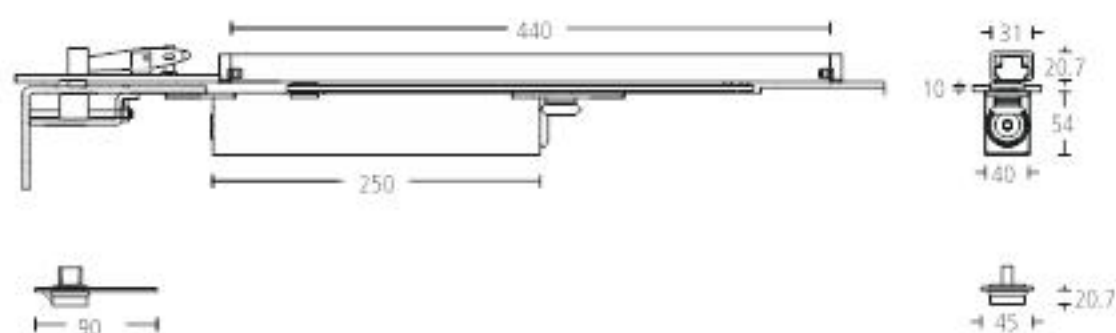


9136D

Fully concealed overhead door closer for double action doors.

- Adjustable power (3-6)
- Maximum door weight: 180kg
- Maximum door width: 1400mm
- Minimum door thickness: 50mm
- Independently tested to BS EN 1154
3|8|4|2|1|1|4
- CE marked 0672-CPD-0069
- Certifire approved CF242
- Incorporated in successful fire tests and assessed to BS EN 1634-1 and BS 476 Pt 22 up to 60 minutes on timber doors and 240 minutes on metal doors
- 10 year guarantee

Finishes: SS • PS



9136DE

As above but with track and arm complete with electrical hold-open device for single action doors.

Finishes: SS • PS

9135FP

Intumescent pack for 9135D and 9135DE concealed door closers.

Finish: XX

9136FP

Intumescent pack for 9136D and 9136DE concealed door closers.

Finish: XX

@lgood hardware

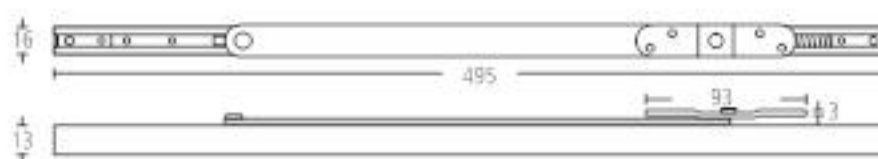


11004

Concealed overhead door restraining stay.

- Adjustable friction slide block and spring buffer to cushion door opening
- Not for use with concealed door closing devices
- Can be fitted to set the maximum opening to 70°, 90° or 110°

Finish: XX



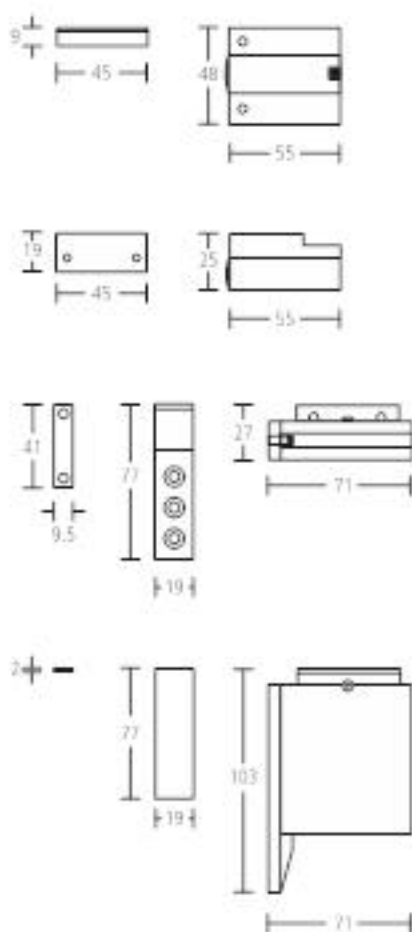


9149G

Selector stay for pairs of rebated doors with flush overpanels.

- The door selector will only allow the door leaves to close in the correct order maintaining the fire resistant seal
- Independently tested to BS EN 1158
3|5|5|3|1|1|3
- CE marked 1121-CPD-AF0001
- Incorporated in successful fire tests and assessed to BS EN 1634-1 and BS 476 Pt 22 up to 120 minutes on both timber and metal doors
- 10 year guarantee

Finishes: SS • PS • MA



@llygood hardware

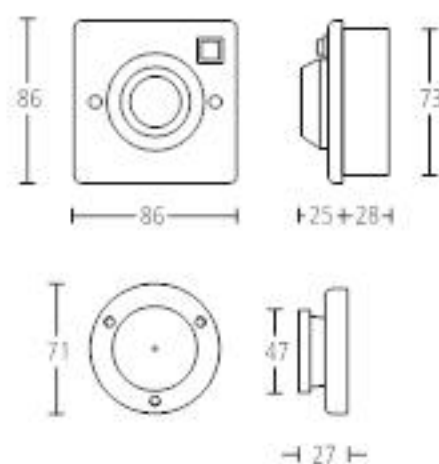


9409

Electromagnetic hold open device.

- 24vDC / 71mA
- 112 newtons holding force
- Can be used in conjunction with any standard door closer or floor spring
- The unit is fail-safe, holding the door open until released through alarm activation or power failure
- Independently tested to BS EN 1155
356/3113
- CE marked 1121-CPD-AE0018
- Certifire approved CF 531
- Incorporated in successful fire tests and assessed to BS EN 1634-1 and BS 476 Pt 22 up to 120 minutes on timber doors and 240 minutes on metal doors

Finish: SS



Electromagnetic hold open devices

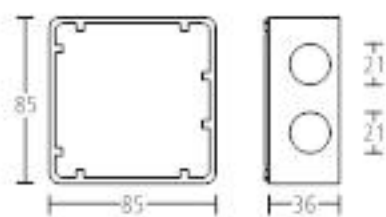


9410

Surface mounted sleeve.

- Used in conjunction with 9409 to create a surface mounted electromagnetic hold open device.

Finish: SS

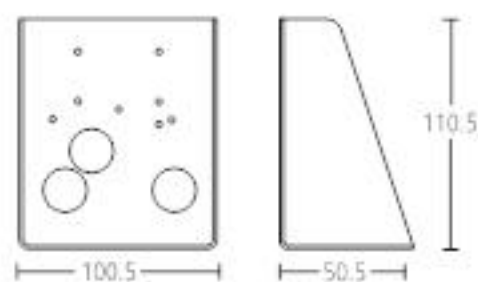


9409B

Floor mounting bracket.

- Used in conjunction with 9409 and 9410 to create a floor mounted electromagnetic hold open device.

Finish: SS



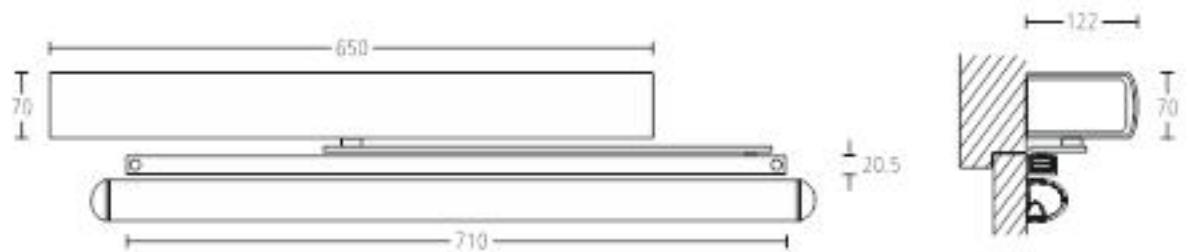
@lgood hardware



71941

Single operator, frame mounted on pull side of door. Complete with 71999 safety sensors and 71999CO safety sensor cut-out switch.

Finish: XX



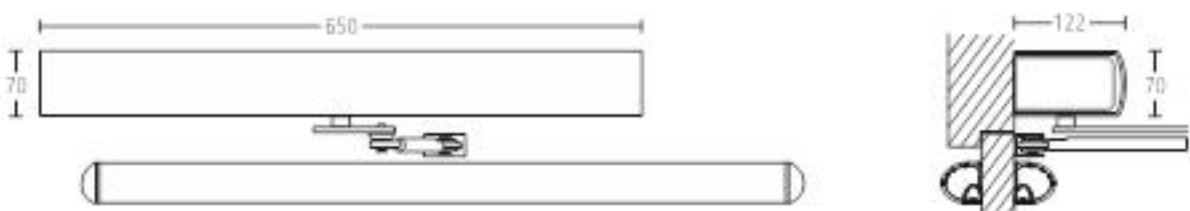
71943

As above but a pair for double doors.

71942

Single operator, frame mounted on push side of door. Complete with 71999 safety sensors and 71999CO safety sensor cut-out switch.

Finish: XX



71944

As above but a pair for double doors.

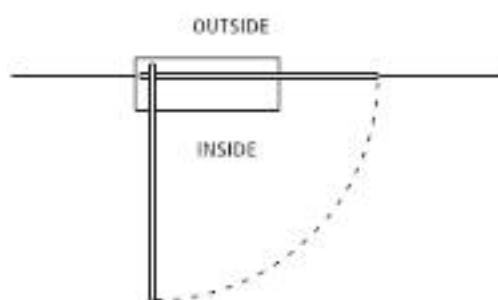
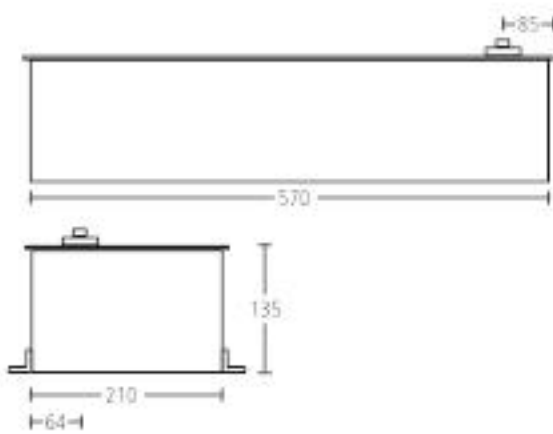
Underfloor automatic operators



71961N

Single floor mounted operator. For use with left handed doors, opening in (see below).

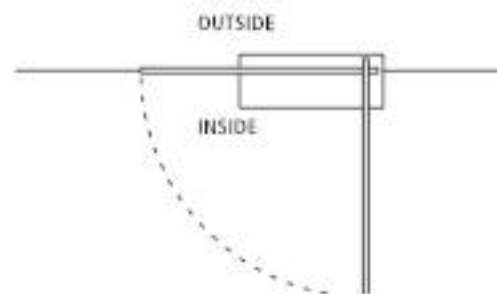
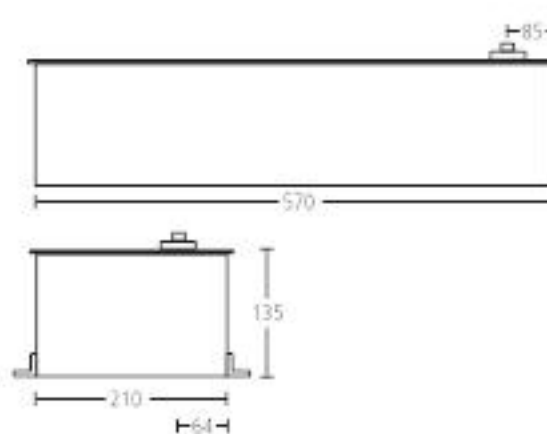
Finish: XX



71963N

Single floor mounted operator. For use with right handed doors, opening in (see below).

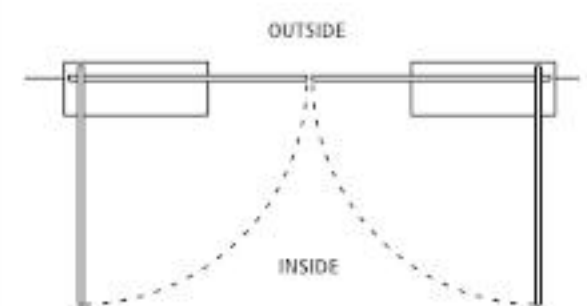
Finish: XX



71965N

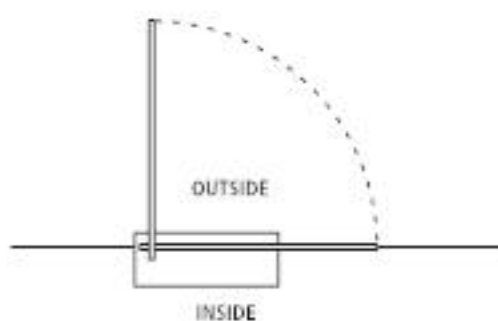
Double floor mounted operator. For use with double doors opening in (see below).

Finish: XX



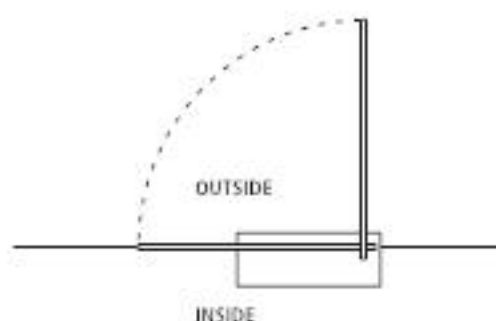
71962N

As above, but for use with right handed doors, opening out (see below).



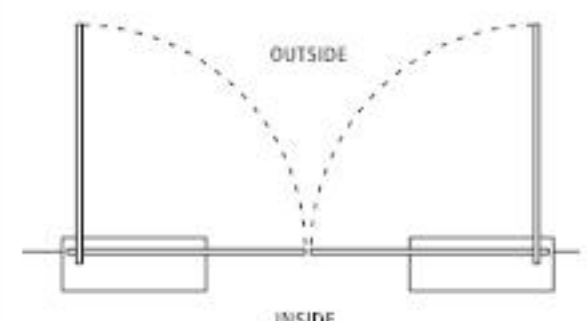
71964N

As above, but for use with left handed doors, opening out (see below).



71966N

As above, but for use with left handed doors, opening out (see below).



@llygood hardware



71921

Circular push pad with 'DISABLED PUSH TO OPEN' infilled in blue.

Finish: XX

71920

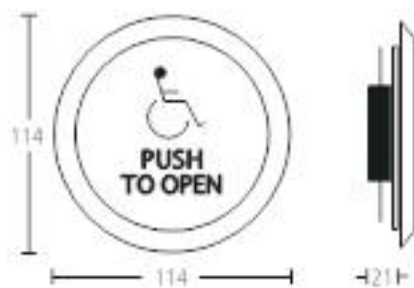
As above, with plain push pad.

Finish: XX

71926

Surface mounted surround for use with above push pads.

Finish: XX

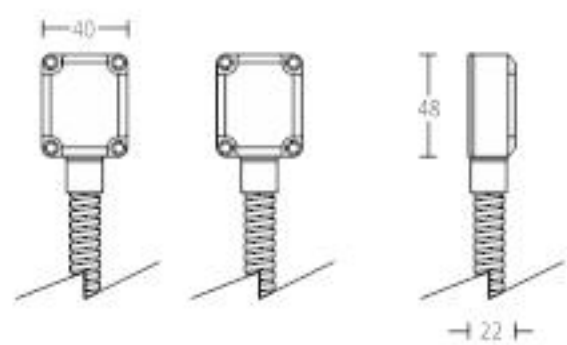


79052N

Armoured loop

- Surface mounted
- Designed for carrying maximum 24v, 8mm diameter cable from door frame to door
- Grey nylon covered spring cable
- No connections/cable provided

Finish: XX



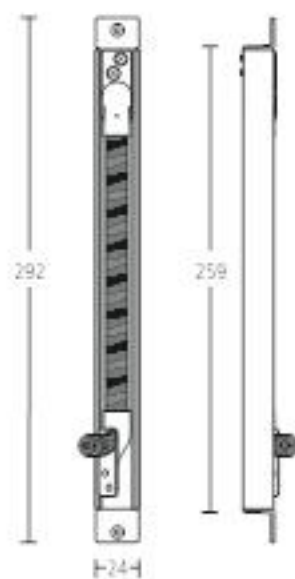
Push pads and power transfer devices

**79053N**

Concealed armoured loop.

- Designed for carrying maximum 24v, 6mm diameter cable from door frame to door
- When door is closed there are no visible signs of connection
- Loop may be installed either way up, with channel in door or frame
- Not suitable for double action doors
- Nickel plated on steel (other finishes available on request)
- Not suitable for 240v AC cable

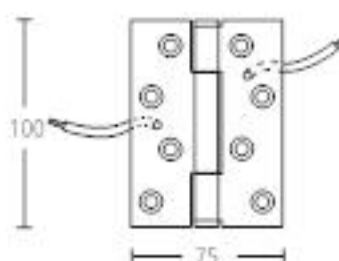
Finish: XX

**8066CT2**

Two way power transfer butt hinge with Newton Bearing.

- Twin power conductors
- Grade 304 stainless steel
- Maintenance free and totally corrosion proof, with smoother action than ball bearings and uprated load bearing
- 1200mm free tails on each side of hinge
- Maximum 50v/500mA per conductor
- For doors up to 120kg, when used in conjunction between a pair of 8066CB hinges
- Hinge must be second from top of door or middle position

Finishes: SS • PS

**8066CT8**

As above but with eight way power transfer.

Finishes: SS • PS

Allgood hardware

The 71 Series modular lock system is a full suite of heavy duty mortice locks for unsprung door furniture with many benefits.

- Modular case sizes for easier door preparation.
- 80mm and 100mm backset options also available. Contact Allgood for details.
- Low friction latchbolts gives a smoother and quieter locking action and reduces damage to the door.
- Reversible strike plates.
- Unique 'griptight' followers which prevent movement of the spindle within the follower, thus eliminating looseness of lever handles
- Solid stainless steel latchbolts, deadbolts and followers provide enhanced durability and security.
- High quality springs in locks and latches for lever handles provide enhanced durability and prevent lever handles from sagging.
- Radiused faceplates and strikeplates are available to allow router preparation of doors and frames in the factory.

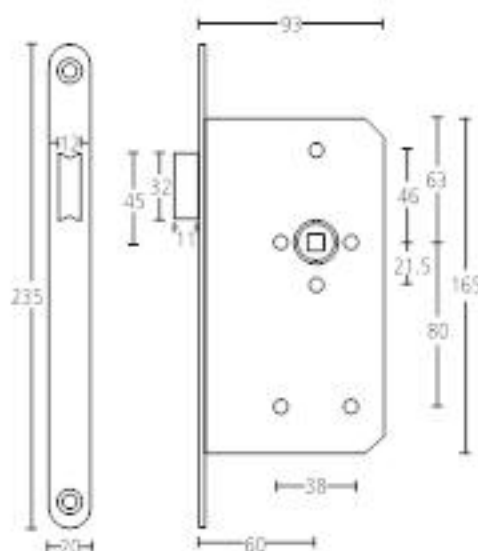


7104F60

Vertical mortice latch.

- Heavily sprung for lever handles
- Reversible latchbolt without opening lockcase
- Bolt through fixing holes for furniture
- Complete with strike plate. Specify **7104FS60** for lock with radius strike plate.
- Independently tested to BS EN 12209 **3X110GB020**
- CE Marked 1121-CPD-AG0062
- Certifire approved CF 537
- Incorporated in successful fire test and assessed to BS EN 1634-1 and BS 476 Pt 22 up to 90 minutes on timber doors and 120 minutes on metal doors
- 10 year guarantee

Finishes: SS • PS

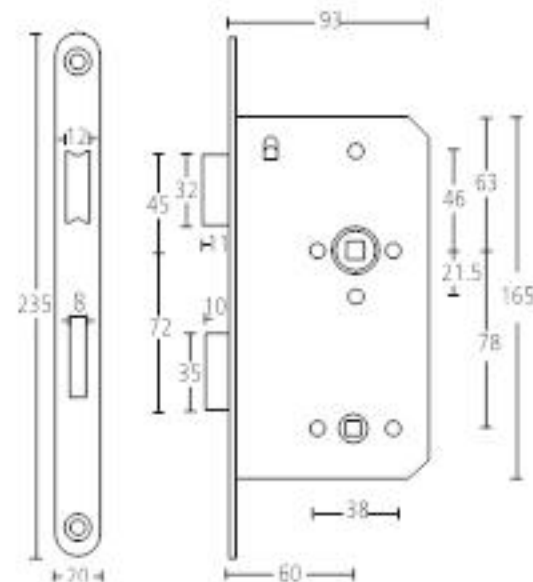


7108F60

Vertical mortice bathroom lock.

- Heavily sprung for lever handles
- Reversible latchbolt without opening lockcase
- Bolt through fixing holes for furniture
- Complete with strike plate. Specify **7108FS60** for lock with radius strike plate.
- Independently tested to BS EN 12209 **3X110GB020**
- CE Marked 1121-CPD-AG0061
- Certifire approved CF 537
- Incorporated in successful fire test and assessed to BS EN 1634-1 and BS 476 Pt 22 up to 90 minutes on timber doors and 120 minutes on metal doors
- 10 year guarantee

Finishes: SS • PS



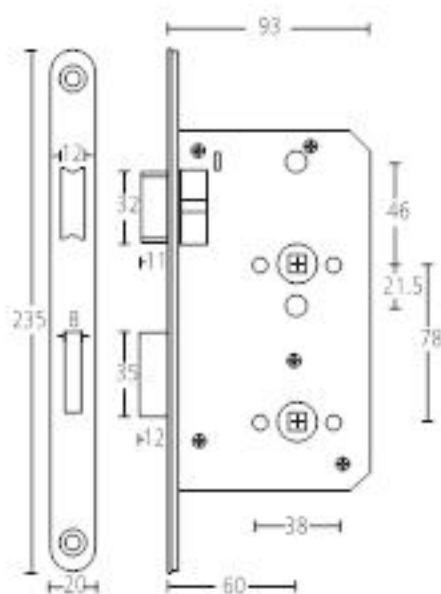


7125F60

Vertical lift to lock (L2L) mortice lock.

- The internal lever has a dual function. When lifted up, the lever simultaneously throws the deadbolt and actuates the external indicator. Depressing the inside lever withdraws the deadbolt, the latchbolt and resets the indicator. The external lever only operates latchbolt.
- Heavily sprung for lever handles
- Reversible latchbolt without opening lockcase
- Bolt through fixing holes for furniture
- Complete with strike plate. Specify **7125FS60** for lock with radius strike plate.
- Independently tested to BS EN 12209 **3X8110G-B030**
- CE Marked 1121-CPD-AG0104
- Certifire approved CF 347
- Incorporated in successful fire test and assessed to BS EN 1634-1 and BS 476 Pt 22 up to 90 minutes on timber doors and 120 minutes on metal doors
- 10 year guarantee

Finishes: SS • PS

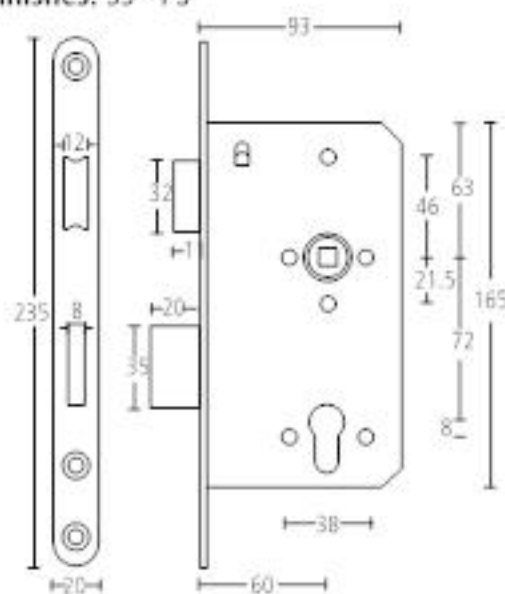


7178F60

Vertical euro profile cylinder mortice emergency lock.

- Inside lever handle withdraws both latch and deadbolt in one action, allowing escape for fire and safety reasons, without compromising security as per 'Secured by Design'.
- Heavily sprung for lever handles
- Internal lever handle requires a XX9052NT half spindle
- Reversible latchbolt without opening lockcase
- Bolt through fixing holes for furniture
- Complete with strike plate. Specify **7178FS60** for lock with radius strike plate.
- Independently tested to BS EN 179 **376B1342AB** and **376B1342AD**
- CE Marked 1121-CPD-ABB035
- Certifire approved CF 347
- Incorporated in successful fire test and assessed to BS EN 1634-1 and BS 476 Pt 22 up to 90 minutes on timber doors and 120 minutes on metal doors
- 10 year guarantee

Finishes: SS • PS



Allgood hardware

The 71 Series modular lock system is a full suite of heavy duty mortice locks for unsprung door furniture with many benefits.

- Modular case sizes for easier door preparation.
- 80mm and 100mm backset options are available. Contact Allgood for details.
- Low friction latchbolts gives a smoother and quieter locking action and reduces damage to the door.
- Reversible strike plates.
- Unique 'griptight' followers which prevent movement of the spindle within the follower, thus eliminating looseness of lever handles
- Solid stainless steel latchbolts, deadbolts and followers provide enhanced durability and security.
- High quality springs in locks and latches for lever handles provide enhanced durability and prevent lever handles from sagging.
- Radiused faceplates and strikeplates are available to allow router preparation of doors and frames in the factory.

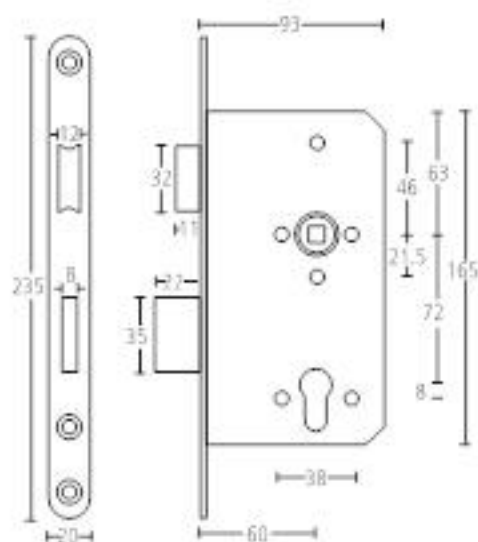


7179F60

Vertical euro profile cylinder mortice lock.

- Heavily sprung for lever handles
- Reversible latchbolt without opening lockcase
- Bolt through fixing holes for furniture
- Complete with strike plate. Specify **7179FS60** for lock with radius strike plate.
- Independently tested to BS EN 12209 **3X810G4B|A20**
- CE Marked 1121-CPD-AG0060
- Certifire approved CF 537
- Incorporated in successful fire test and assessed to BS EN 1634-1 and BS 476 Pt 22 up to 90 minutes on timber doors and 120 minutes on metal doors
- 10 year guarantee

Finishes: SS • PS

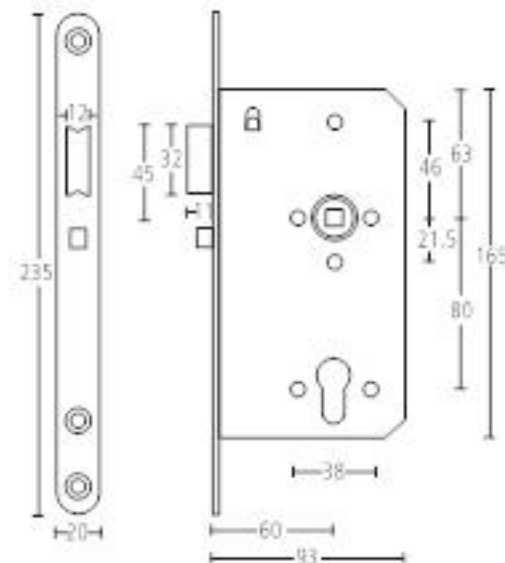


7181F60

Vertical euro profile cylinder mortice nightlatch.

- Anti thrust bolt inhibits the latch from being forced back when in the locked position
- Heavily sprung for lever handles
- Reversible latchbolt without opening lockcase
- Bolt through fixing holes for furniture
- Complete with strike plate. Specify **7181FS60** for lock with radius strike plate.
- Independently tested to BS EN 179 **376B1342|AB** and **376B1342|AD**
- CE Marked 1121-CPD-ABB035
- Certifire approved CF 347
- Incorporated in successful fire test and assessed to BS EN 1634-1 and BS 476 Pt 22 up to 90 minutes on timber doors and 120 minutes on metal doors
- 10 year guarantee

Finishes: SS • PS



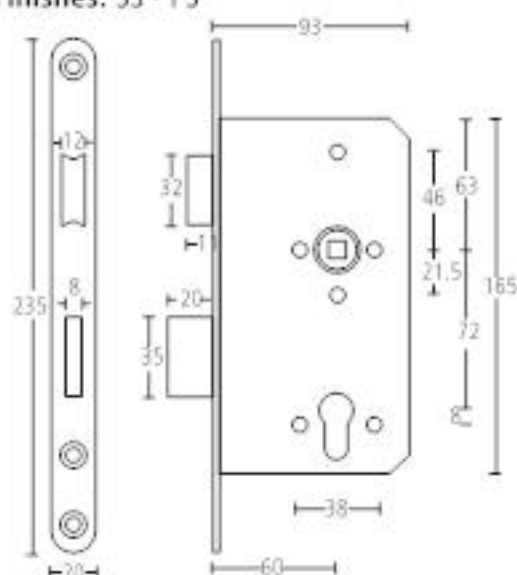


7182F60

Vertical euro profile cylinder mortice lock.

- Lever handles on both sides will withdraw latch bolt. If deadbolt is projected, the inside handle only will withdraw both bolts. Door then remains unlocked until manually re-locked by key from outside or turn from inside.
- Supplied with split spindle
- Heavily sprung for lever handles
- Reversible latchbolt without opening lockcase
- Bolt through fixing holes for furniture
- Complete with strike plate. Specify **7182FS60** for lock with radius strike plate.
- Independently tested to BS EN 179
376B1342AB and **376B1342AD**
- CE Marked 1121-CPD-ABB035
- Certifire approved CF 347
- Incorporated in successful fire test and assessed to BS EN 1634-1 and BS 476 Pt 22 up to 90 minutes on timber doors and 120 minutes on metal doors
- 10 year guarantee

Finishes: SS • PS

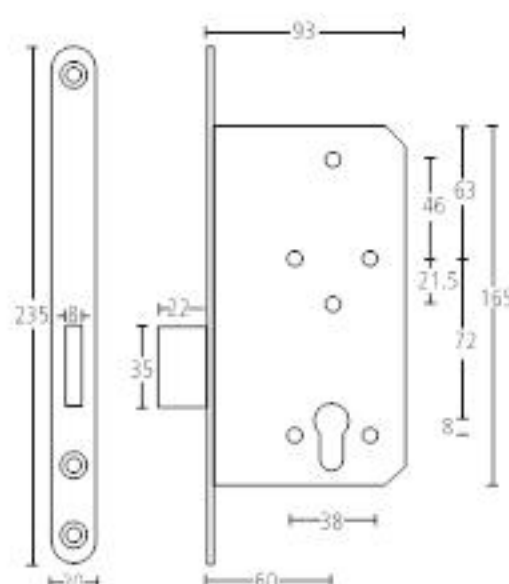


7186F60

Vertical euro profile cylinder mortice deadlock.

- Bolt through fixing holes for furniture
- Complete with strike plate. Specify **7186FS60** for lock with radius strike plate.
- Independently tested to BS EN 12209
3X810G4BA00
- CE Marked 1121-CPD-AG0059
- Certifire approved CF 537
- Incorporated in successful fire test and assessed to BS EN 1634-1 and BS 476 Pt 22 up to 90 minutes on timber doors and 120 minutes on metal doors
- 10 year guarantee

Finishes: SS • PS



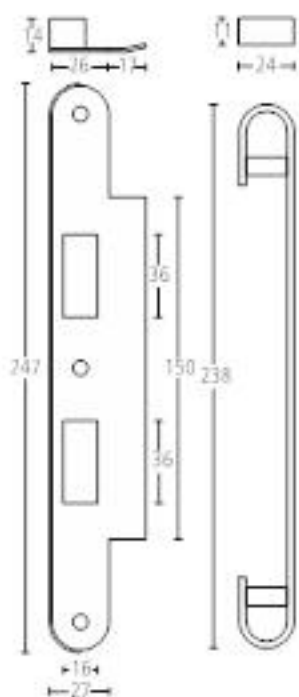
@lgood hardware



7145N/13

Rebate component kit to suit 71 series locks.

Finishes: SS • PS



7179MG

Mortar guard to suit 71 series locks.

Finishes: SS • PS



71' series accessories

allgood hardware

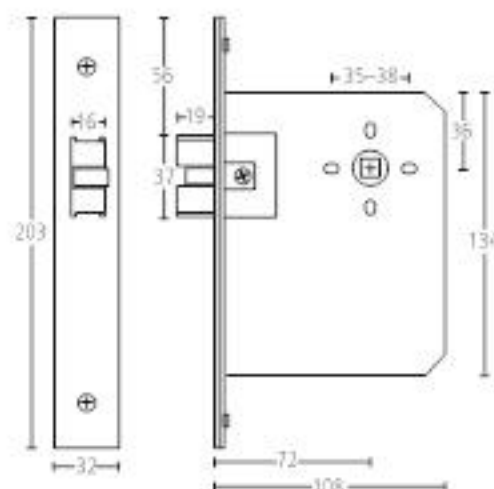


9960

Vertical mortice latch.

- 3 part low friction latchbolt
- Heavily sprung for lever handles
- Reversible latchbolt without opening lockcase
- UL listed and complies with ANSI 115.1. Suits standard ANSI preparation for metal doors
- Independently tested to BS EN 12209 **3X810F-B030**
- CE Marked 1121-CPD-AG0055
- Certifire approved CF 623
- Incorporated in successful fire test and assessed to BS EN 1634-1 and BS 476 Pt 22 up to 90 minutes on timber doors and 120 minutes on metal doors
- 10 year guarantee

Finishes: SS • PS

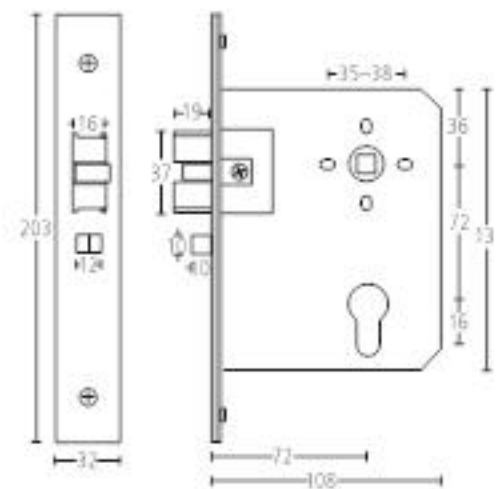


9962HDP

Vertical euro profile cylinder mortice apartment entrance lock.

- 3 part low friction latchbolt
- Anti-thrust bolt
- Heavily sprung for lever handles
- Reversible latchbolt without opening lockcase
- Supplied with split spindle
- UL listed and complies with ANSI 115.1. Suits standard ANSI preparation for metal doors
- Independently tested to BS EN 12209 **3X810F3BA30**
- Independently tested to BS EN 179 **376B1342AB** and **376B1342AD**
- CE Marked 1121-CPD-ABB035
- Certifire approved CF 623
- Incorporated in successful fire test and assessed to BS EN 1634-1 and BS 476 Pt 22 up to 90 minutes on timber doors and 120 minutes on metal doors
- 10 year guarantee

Finishes: SS • PS



Suitable for severe usage doors and where a higher degree of security is required. Redlocks are available with a special bolt to allow use with approved 19mm electric release or monitor strikes and can be manufactured to incorporate microswitch monitors for alarm and access control.

99' series redlocks

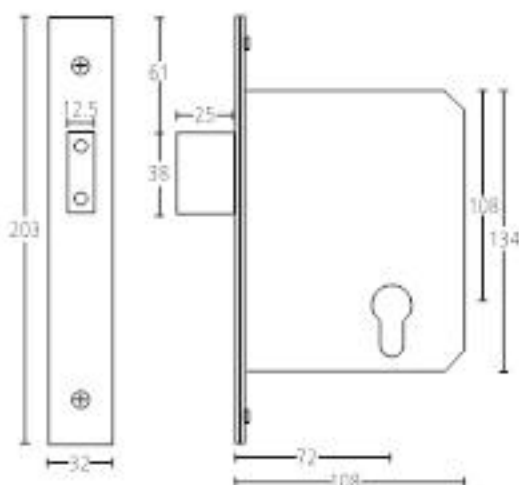


9964P

Vertical euro profile cylinder mortice deadlock.

- Deadbolt incorporating hardened steel pins
- UL listed and complies with ANSI 115.1. Suits standard ANSI preparation for metal doors
- Independently tested to BS EN 12209
- CE Marked 1121-CPD-AG0055
- Incorporated in successful fire test and assessed to BS EN 1634-1 and BS 476 Pt 22 up to 90 minutes on timber doors and 120 minutes on metal doors
- 10 year guarantee

Finishes: SS • PS

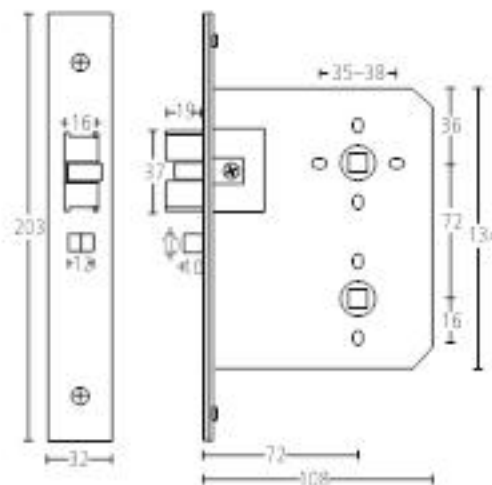


9968P

Vertical mortice bathroom lock.

- 3 part low friction latchbolt
- Anti-thrust bolt
- Heavily sprung for lever handles
- Reversible latchbolt without opening lockcase
- UL listed and complies with ANSI 115.1. Suits standard ANSI preparation for metal doors
- Incorporated in successful fire test and assessed to BS EN 1634-1 and BS 476 Pt 22 up to 90 minutes on timber doors
- 10 year guarantee

Finishes: SS • PS

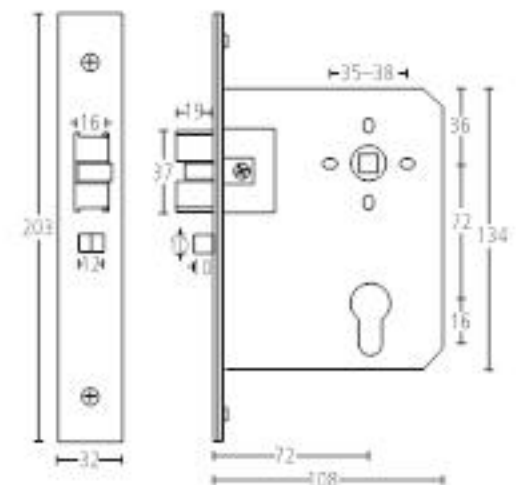


9980P

Vertical euro profile cylinder mortice deadlocking nightlatch.

- 3 part low friction latchbolt (For holdback facility please specify **9981HBP**)
- Anti-thrust bolt
- Heavily sprung for lever handles
- Reversible latchbolt without opening lockcase
- UL listed and complies with ANSI 115.1. Suits standard ANSI preparation for metal doors
- Independently tested to BS EN 12209 **3X8110F3KA30**
- CE Marked 1121-CPD-AG0058
- Certifire approved CF 623
- Incorporated in successful fire test and assessed to BS EN 1634-1 and BS 476 Pt 22 up to 90 minutes on timber doors and 120 minutes on metal doors
- 10 year guarantee

Finishes: SS • PS



@lgood hardware

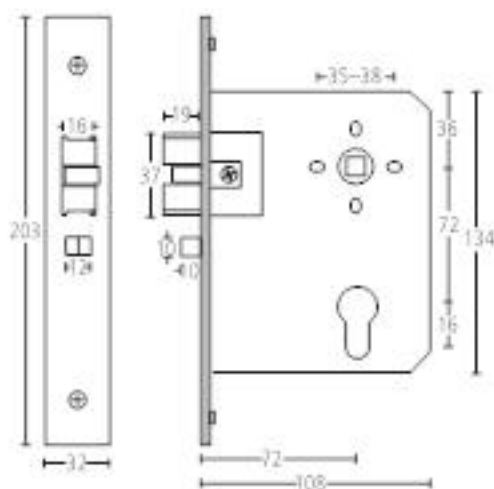


9990HDP

Vertical euro profile cylinder mortice escape nightlatch.

- Reversible latchbolt without opening lockcase
- 'Always free to escape' facility as per Secured by Design proposals
- Supplied with split spindle
- UL listed and complies with ANSI 115.1. Suits standard ANSI preparation for metal doors
- Independently tested to BS EN 179 376B1342AB and 376B1342AD
- CE Marked 1121-CPD-ABB035
- Certifire approved CF 623
- Incorporated in successful fire test and assessed to BS EN 1634-1 and BS 476 Pt 22 up to 90 minutes on timber doors and 120 minutes on metal doors
- 10 year guarantee

Finishes: SS • PS

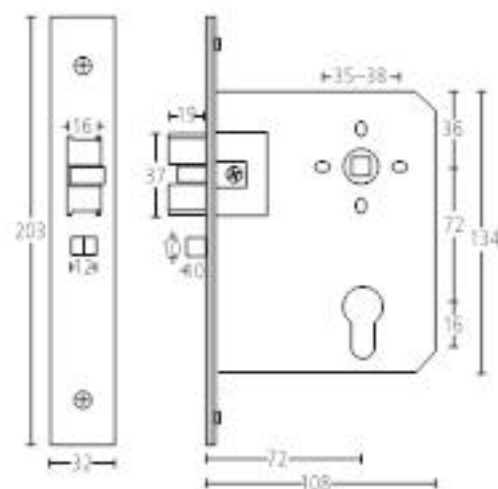


79941P1L/R

Vertical solenoid redlock with one lever solenoid controlled and the other lever free to escape.

- STATE HAND (EG. 79941P1L OR 79941P1R) - Left hand shown
- Supplied with split spindle
- 12 vDC fail secure
- Non-monitored
- UL listed and complies with ANSI 115.1. Suits standard ANSI preparation for metal doors
- Independently tested to BS EN 179 376B1342AB and 376B1342AD
- CE Marked 1121-CPD-ABB035
- Certifire approved CF 623
- Incorporated in successful fire test and assessed to BS EN 1634-1 and BS 476 Pt 22 up to 90 minutes on timber doors
- 10 year mechanical guarantee, 1 year electrical guarantee

Finishes: SS • PS



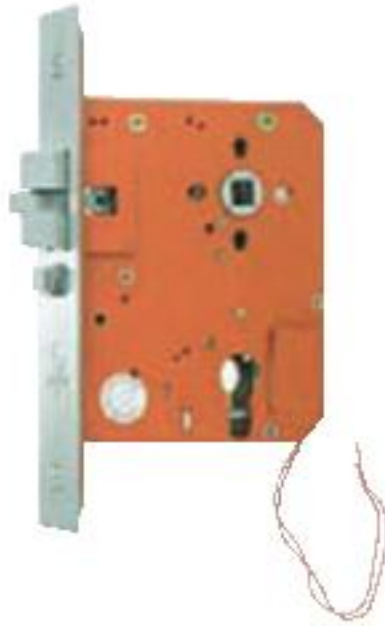
79941P2L/R

As above but 24 vDC fail secure.

Finishes: SS • PS

99' series redlocks are suitable for severe usage doors that require a higher degree of security. All mortice and solenoid bolts come complete with a 3 part low friction latchbolt, anti-thrust bolt and are heavily sprung for lever handles.

99' series redlocks and solenoid redlocks

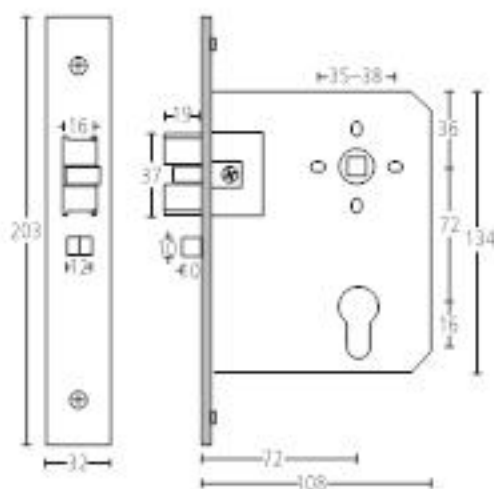


79942P1L/R

Vertical solenoid redlock with one lever solenoid controlled and the other lever free to escape.

- STATE HAND (EG. 79942P1L OR 79942P1R) - Left hand shown
- Supplied with split spindle
- 12 vDC fail safe
- Non-monitored
- UL listed and complies with ANSI 115.1. Suits standard ANSI preparation for metal doors
- Independently tested to BS EN 179 376B1342AB and 376B1342AD
- CE Marked 1121-CPD-ABB035
- Certifire approved CF 623
- Incorporated in successful fire test and assessed to BS EN 1634-1 and BS 476 Pt 22 up to 90 minutes on timber doors
- 10 year mechanical guarantee, 1 year electrical guarantee

Finishes: SS • PS



79942P2L/R

As above but 24 vDC fail safe.

Finishes: SS • PS

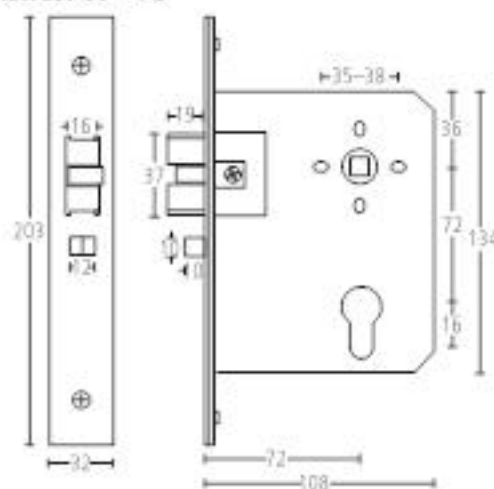


79945P5L/R

Vertical solenoid redlock with one lever solenoid controlled and the other lever free to escape.

- STATE HAND (EG. 79945P5L OR 79945P5R) - Left hand shown
- Includes request to exit function (RTE)
- Supplied with split spindle
- 12 vDC fail secure
- Twin-monitored
- UL listed and complies with ANSI 115.1. Suits standard ANSI preparation for metal doors
- Independently tested to BS EN 179 376B1342AB and 376B1342AD
- CE Marked 1121-CPD-ABB035
- Certifire approved CF 623
- Incorporated in successful fire test and assessed to BS EN 1634-1 and BS 476 Pt 22 up to 90 minutes on timber doors
- 10 year mechanical guarantee, 1 year electrical guarantee

Finishes: SS • PS



79945P6L/R

As above but 24 vDC fail secure.

Finishes: SS • PS

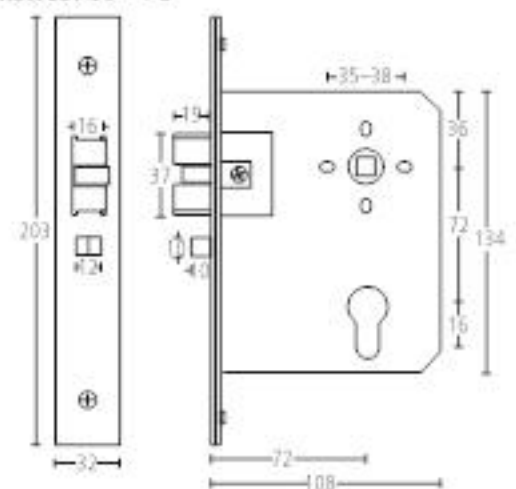


79946P5L/R

Vertical solenoid redlock with one lever solenoid controlled and the other lever free to escape.

- STATE HAND (EG. 79946P5L OR 79946P5R) - Left hand shown
- Includes request to exit function (RTE)
- Supplied with split spindle
- 12 vDC fail safe
- Twin-monitored
- UL listed and complies with ANSI 115.1. Suits standard ANSI preparation for metal doors
- Independently tested to BS EN 179 376B1342AB and 376B1342AD
- CE Marked 1121-CPD-ABB035
- Certifire approved CF 623
- Incorporated in successful fire test and assessed to BS EN 1634-1 and BS 476 Pt 22 up to 90 minutes on timber doors
- 10 year mechanical guarantee, 1 year electrical guarantee

Finishes: SS • PS



79946P6L/R

As above but 24 vDC fail safe.

Finishes: SS • PS

Allgood hardware



7418A

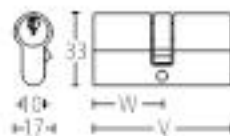
Euro profile double cylinder with key operation on both sides.

- Patented 6 pin cylinder with hardened drivers and body insert
- Mushroom type drivers; make aligning of the pins by a picking tool almost impossible
- Available individually keyed or as part of a master key suite to customer requirements
- Independently tested to BS EN 1303 **160110C62**
- Incorporated in successful fire test and assessed to BS EN 1634-1 and BS 476 Pt 22 up to 90 minutes on timber doors and 120 minutes on metal doors

Variations (mm)

	V	W
a	63	31.5 (standard)
b	71	35.5
c	80	40

Finishes: SN (XX7418NA) • PC



7419A

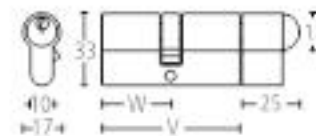
Euro profile double cylinder with key operation on one side and unique Allgood turn on the other.

- Patented 6 pin cylinder with hardened drivers and body insert
- Mushroom type drivers; make aligning of the pins by a picking tool almost impossible
- Available individually keyed or as part of a master key suite to customer requirements
- Independently tested to BS EN 1303 **160110C62**
- Incorporated in successful fire test and assessed to BS EN 1634-1 and BS 476 Pt 22 up to 90 minutes on timber doors and 120 minutes on metal doors

Variations (mm)

	V	W
a	63	31.5 (standard)
b	71	35.5
c	80	40

Finishes: SN (XX7419NA) • PC





7420A

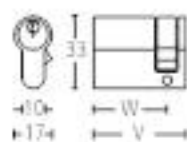
Euro profile single cylinder with key operation on one side only.

- Patented 6 pin cylinder with hardened drivers and body insert
- Mushroom type drivers; make aligning of the pins by a picking tool almost impossible
- Available individually keyed or as part of a master key suite to customer requirements
- Independently tested to BS EN 1303 **1160110C62**
- Incorporated in successful fire test and assessed to BS EN 1634-1 and BS 476 Pt 22 up to 90 minutes on timber doors and 120 minutes on metal doors

Variations (mm)

	V	W
a	41.5	31.5 (standard)
b	45.5	35.5
c	50	40

Finishes: SN (XX7420NA) • PC



7447APR

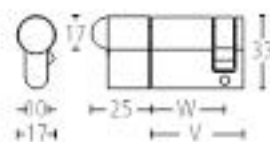
Euro profile single cylinder with unique Allgood turn only.

- Patented 6 pin cylinder with hardened drivers and body insert
- Independently tested to BS EN 1303 **1160110C62**
- Incorporated in successful fire test and assessed to BS EN 1634-1 and BS 476 Pt 22 up to 90 minutes on timber doors and 120 minutes on metal doors

Variations (mm)

	V	W
a	41.5	31.5 (standard)
b	45.5	35.5
c	50	40

Finishes: SN (XX7447NAPR) • PC



7493A

Construction cylinder for use with euro profile locks during construction phase to prevent misuse and loss of keys.

Finish: XX



7494

Temporary cylinder and turn

Finish: XX

7495

Temporary half cylinder

Finish: XX

@lgood hardware

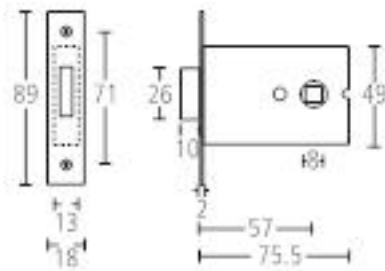


7518

Cubicle mortice deadlock.

- Deadbolt operated by snib from inside and by indicator/release from outside
- 8mm follower
- Bolt through fixing holes

Finishes: SS • PS



7518MG

Mortar guard to suit 7518 strike plates.

Finish: XX

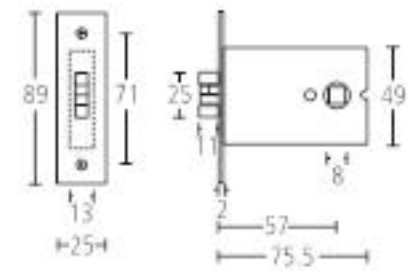


7519

Claw bolt sliding door mortice deadlock.

- Claw bolt operated by snib from inside and indicator/release from outside
- 8mm follower
- Bolt through fixing holes

Finishes: SS • PS



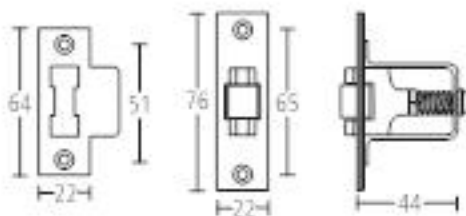
Cubicle deadlocks and roller catches



10772

Adjustable heavy duty roller catch.

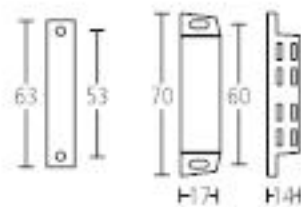
Finishes: SS • PS



10780

Magnetic catch.

Finish: XX (White plastic)



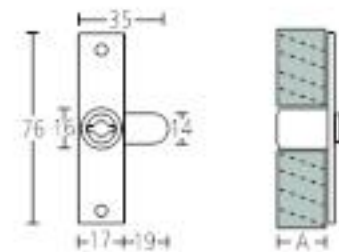
8397

Katkin access panel lock.

- Flush fitting
- Special captive key can only be removed in the locked position
- Key can be used as a handle to lift out access panels
- Incorporated in successful fire test and assessed to BS EN 1634-1 up to 60 minutes on timber doors

Options	A
• 8397/13	13mm
• 8397/25	25mm
• 8397/45	45mm
• 8397/54	54mm

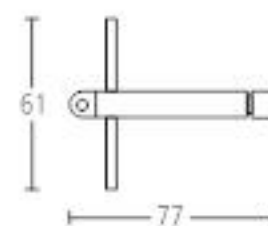
Finish: MA



8397A

Katkin key with hole for chain.

Finish: MA



@lgood hardware

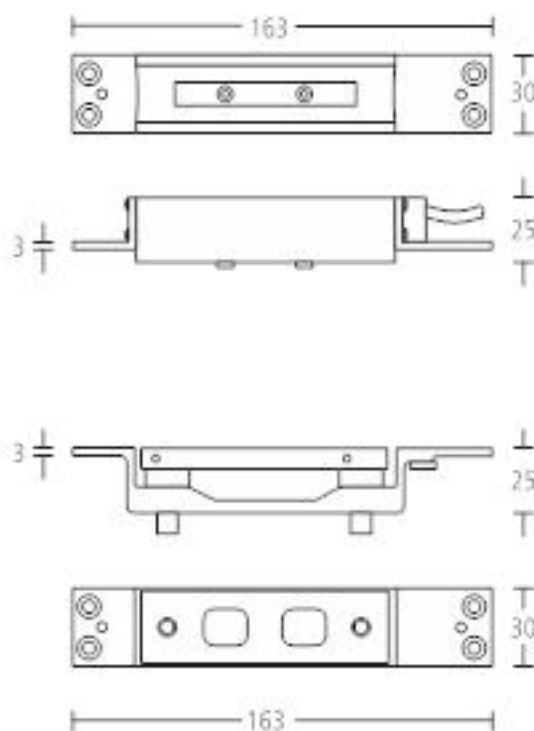


75580N

Mortice mini electromagnet shearlock with armature.

- 1000kg holding force
- BS EN 1634-1 for 60 minutes in 54mm thick doors and 30 minutes in 44mm thick doors
- For use in single action door applications
- Suitable for timber door and frame, metal door and frame or glass door with top rail and frame
- Dual 12/24v DC voltage
- Current draw @ 12/24v: current surge of 1.6 Amps reducing to 450mA at normal operation
- 120 minutes on metal doors

Finish: XX

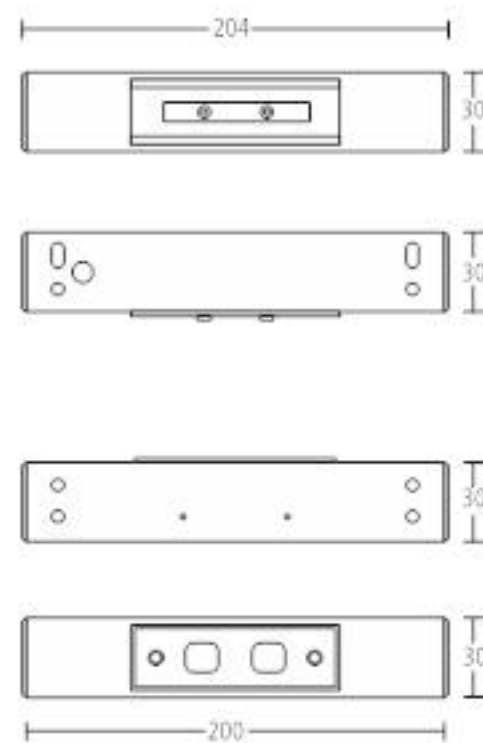


75581N

Surface mounted mini electromagnet shearlock with armature.

- 1000kg holding force
- BS EN 1634-1 for 60 minutes in 54mm thick doors and 30 minutes in 44mm thick doors
- For use in single action door applications
- Suitable for timber door and frame, metal door and frame or glass door with top rail and frame.
- Dual 12/24v DC voltage
- Current draw @ 12/24v: current surge of 1.6 Amps reducing to 450mA at normal operation
- 120 minutes on metal doors

Finish: XX



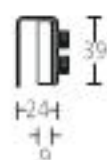


75582N

Glass door bracket to be used in conjunction with 75581 and 75583.

- To be used in single action door applications and on 10mm or 12mm thick doors
- One bracket required for each housing. i.e. one for door and one for transom if required
- Adhesive not supplied. Recommended adhesive is Loctite™ 317 adhesive with Loctite™ 734 activator

Finish: XX

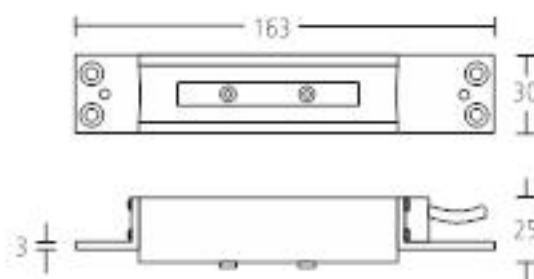


75583N

Semi-concealed mini electromagnet shearlock with armature.

- Consists of morticed magnet housing and surface mount armature
- 1000kg holding force
- BS EN 1634-1 for 60 minutes in 54mm thick doors and 30 minutes in 44mm thick doors
- For doors in recessed frame situations
- Suitable for timber door and frame, metal door and frame and glass doors in conjunction with the 75582 glass mounting bracket
- Dual 12/24v DC voltage
- Current draw @ 12/24v: current surge of 1.6 Amps reducing to 450mA at normal operation

Finish: XX



75580FP

Intumescent pack to suit 75580N shearlock

Finish: XX

@lgood hardware

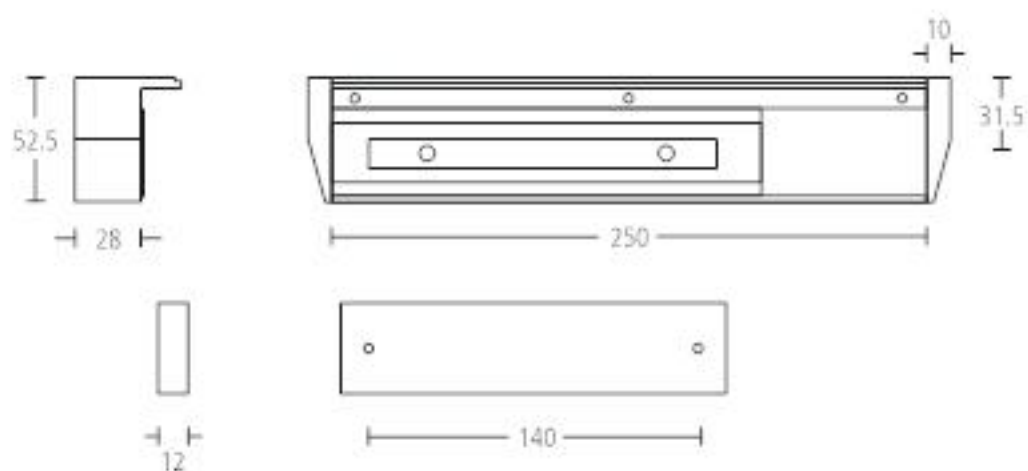


75574

Surface mounted electromagnet with armature.

- 300kg holding force
- For use in single door applications
- MBS monitored
- Dual 12/24v DC voltage
- 250mA current draw @ 12v
125mA current draw @ 24v
- For unit with integral door position switch please specify **75574SPS** (longer armature applies)

Finish: XX



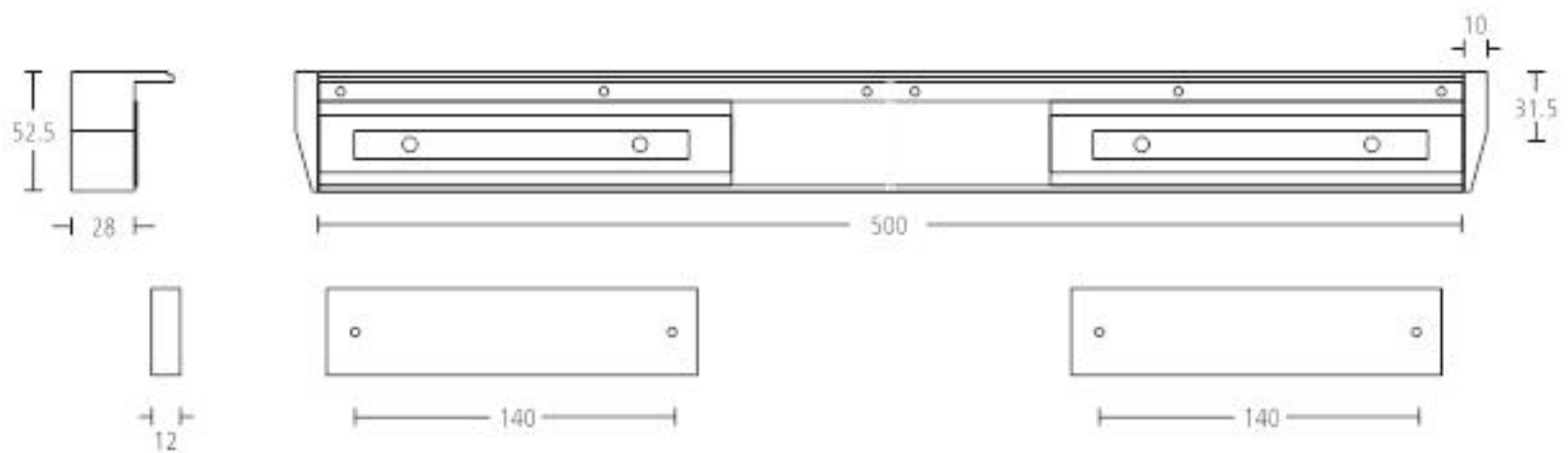
Surface mounted electromagnets

**75574D**

Double surface mounted electromagnet with armature.

- 300kg holding force
- For use in double door applications
- MBS monitored
- Dual 12/24v DC voltage
- 250mA current draw @ 12v
125mA current draw @ 24v
- For unit with integral door position switch please specify **75574DPS** (longer armature applies)

Finish: XX



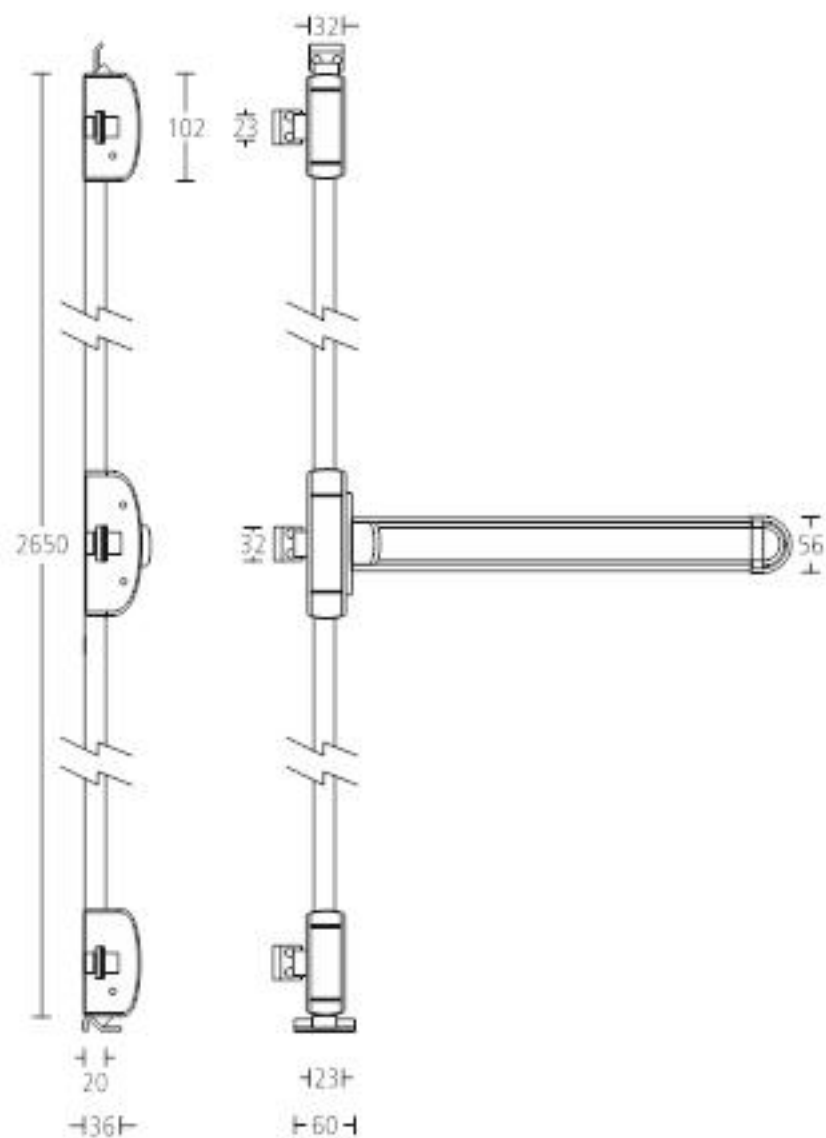
allgood hardware



9320

Surface mounted 3 point Touchbar bolt.

- Applicable for single doors and pairs of rebated doors when used in conjunction with 9325 Touchbar latch (page 105)
 - To suit doors up to 2585mm high and 860mm wide
 - Suitable for timber, aluminium, steel and PVC doors
 - Reversible mechanism
 - Can be operated from outside by optional 9326 external access device (page 105)
 - Independently tested to BS EN 1125 **377B1422BA**
 - CE marked 1520-CPD-2008
 - Incorporated in successful fire tests and assessed to BS EN 1634-1 and BS 476 Pt 22 up to 90 minutes on timber doors
 - 10 year guarantee
- Finishes:** SS (XX9320S)
Silver (XX9320)



Panic hardware

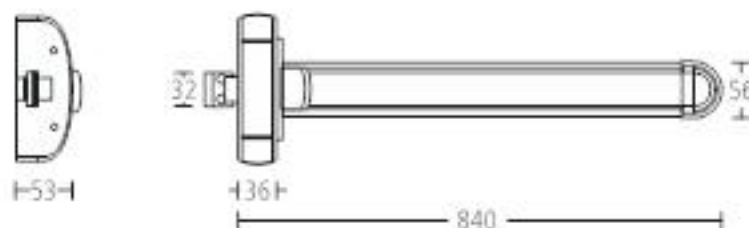


9325

Surface mounted single point Touchbar latch.

- Applicable for single doors and pairs of rebated doors when used in conjunction with 9320 Touchbar bolt (page 104)
- To suit doors up to 2585mm high and 860mm wide
- Suitable for timber, aluminium, steel and PVC doors
- Reversible mechanism
- Can be operated from outside by optional 9326 external access device (page 105)
- Independently tested to BS EN 1125
377B1422BA
- CE marked 1520-CPD-2008
- Incorporated in successful fire tests and assessed to BS EN 1634-1 and BS 476 Pt 22 up to 90 minutes on timber doors
- 10 year guarantee

Finishes: SS (XX9325S)
Silver (XX9325)

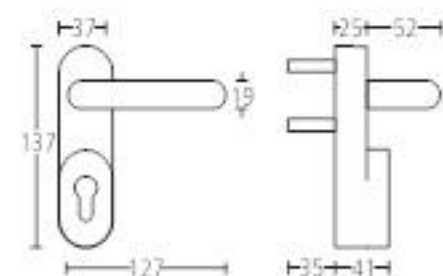


9326

External access device with half pair 3502 Modric lever handle.

- For use with 9320 and 9325 Touchbar bolt and latch respectively
- To suit timber doors up to 100mm thick
- Lever handle is engaged or disengaged by operating the cylinder
- Non-handed
- 7420A cylinder must be specified separately
- Can be integrated into a master key suite

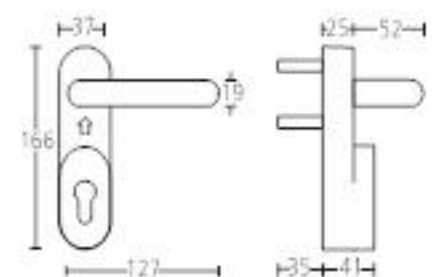
Finishes: SS (XX9326S)
Silver (XX9326)



9326E

As above but with electronic access control facility.

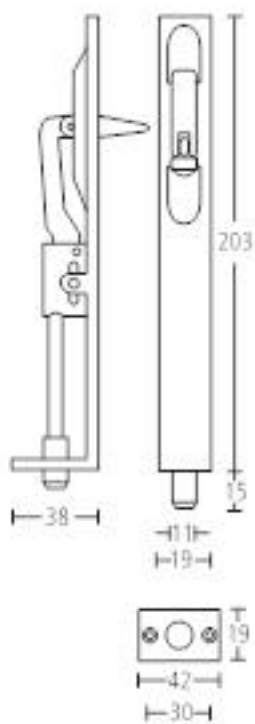
Finishes: SS (XX9326SE)
Silver (XX9326E)



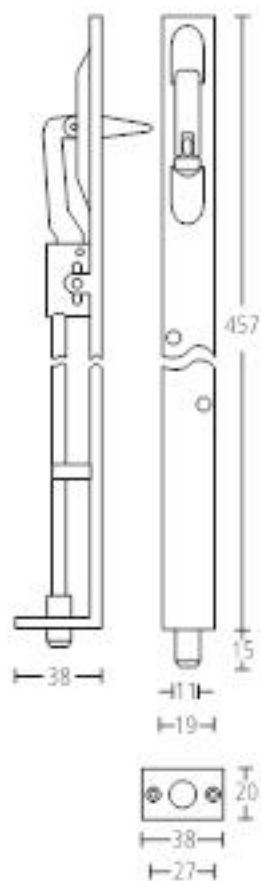
@lgood hardware



48800
Lever action flushbolt.
Finishes: SS • PS



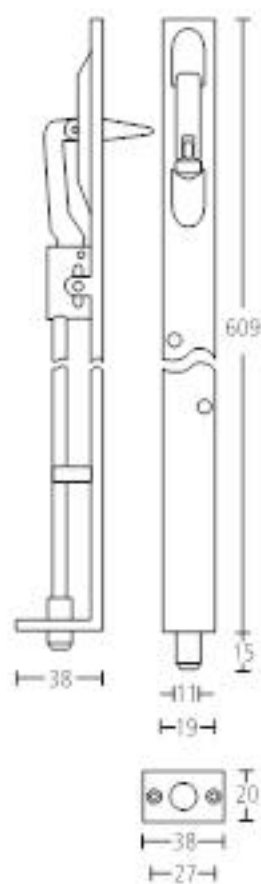
48801
Lever action flushbolt.
Finishes: SS • PS



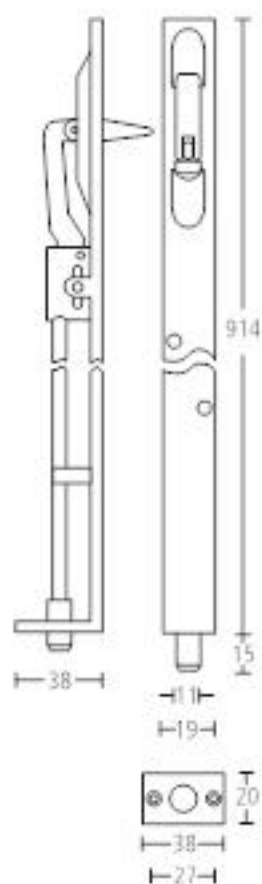
Flushbolts



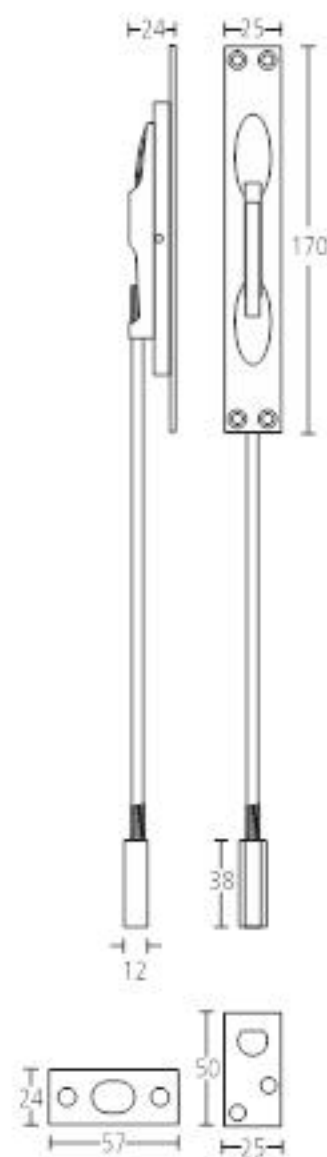
48802
Lever action flushbolt.
Finishes: SS • PS



48803
Lever action flushbolt.
Finishes: SS • PS



76015SC
Lever action flushbolt for metal doors.
Finish: XX (Satin chrome)



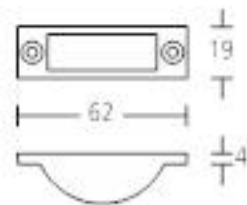
@lgood hardware



7053
Dirt excluding flushbolt socket.
Finishes: SC • PC



7051
Easy clean flushbolt socket.
Finishes: SC • PC



Flushbolt accessories

48800FP

Intumescent pack for 48800 flushbolt.
Finish: XX

48801FP

Intumescent pack for 48801 flushbolt.
Finish: XX

48802FP

Intumescent pack for 48802 flushbolt.
Finish: XX

48803FP

Intumescent pack for 48803 flushbolt.
Finish: XX

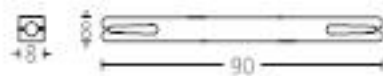
@lgood hardware



9064T

Spindle with through bolts supplied for quadaxial handles. For use with doors 32-55mm thick.

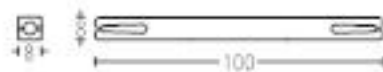
Finish: XX



9066T

As above but for use with doors 45-64mm thick.

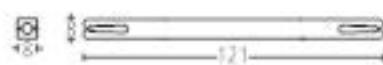
Finish: XX



9067T

As above but for use with doors 65-90mm thick.

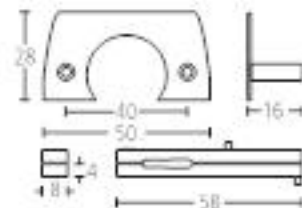
Finish: XX



9052NT

Half spindle.

Finish: XX

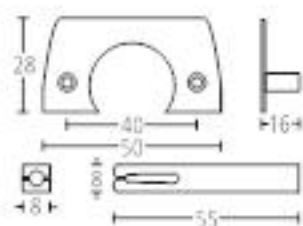




9055

Indicator drive spindle for use with 7125 lift to lock (L2L) mortice lock.

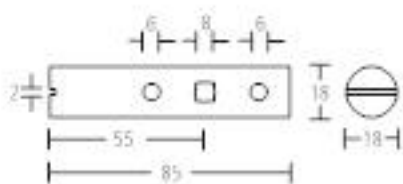
Finish: XX



47460

Mortice rigidiser for rigid fixing of lever and knob furniture. Suits 8mm spindles and 38mm centre fixing roses.

Finish: XX



79943/55

Solid 9.5mm/8mm double spindle for use with solenoid redlocks when controlling inside and outside levers.

Finish: XX

@llygood hardware

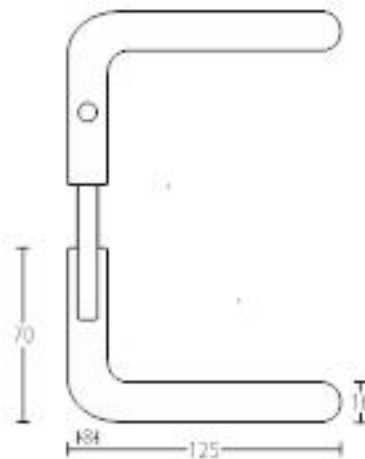
Miscellaneous hardware



9030

Construction levers for use with 8mm follower locks during construction phase to avoid loss and damage to finished ironmongery.

Finish: XX



9561

Quadaxial fixing kit comprising:

- Piloted cutter
- 22mm forstner bit
- 5/16" drill bit
- Whizzer bit
- T-bar hex wrench

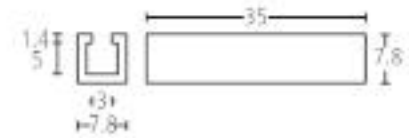
Finish: XX



30041

Spindle converter sleeve.

Finish: XX



6.index

Alphabetical index

Armoured loop	84, 85
Automatic door operators	82, 83
Backrest pad	47
Backrest rail	47
Claw bolt silding door deadlock	98
Coat hooks	36,37
Concealed door closers.....	74, 75, 76, 77
Construction levers.....	112
Cubicle deadlock	98
Cubicle pivot sets	66
Cylinder pull	30
Cylinders.....	96, 97
Doc M grab rails.....	46, 47
Door bumper	35
Door closers	68, 69
Door stops	34, 35
Electrohydraulic hold open overhead door closers	72
Electromagnetic hold open devices	80, 81
Electromagnetic shearlocks.....	100, 101
Emergency release	31
Emergency release door stop	67
Entrance pull handles.....	12
Escutcheons	30
Floor springs	58, 59, 60, 61
Floor spring accessories.....	62, 63
Flushbolts.....	106, 107
Flushbolts accessories	108, 109
Flush pulls	38, 39
Hinges	54, 55, 56, 57
Katkin access panel lock.....	99
Katkin key	99
Kick plate	33
Ledge pull	39
Lever handles	8, 9, 18, 19, 20, 21, 22, 23
Locks	86, 87, 88, 89, 92, 93, 94, 95
Magnetic catch	99
Magnetic door holder.....	34
Maxi roll dispenser.....	51
Mortar guard for 71' series locks	90
Panic hardware	104, 105
Pivots	67
Power transfer butt hinge.....	85
Pull handles	10, 11, 24, 25, 26, 27
Push pads	84
Push plates.....	32
Rebate component kit	90
Roller catch	99
Selectors and stays.....	78, 79
Signage.....	40, 41, 42, 43
Slide arm overhead door closer	70, 71
Soap dispenser	48
Spindle converter sleeve.....	112
Spindles.....	110, 111
Surface mounted electromagnets.....	102, 103
Swing free overhead door closer	73
Towel dispenser.....	50
Waste bin	49
WC turn.....	31

10218NP	57	1770BB	27
10772	99	1771	27
10780	99	1771BB	27
11004	78	2301	34
13001	66	2302	34
13006	67	2304	34
13010	31	2305	35
16000N	46	2307	35
16000TR	46	2308	35
16001N	47	2309	35
16002N	47	2311	35
16002P	47	30041	112
1628	10	30057	43
1628BB	10	3502	18
1629	10	3502D	18
1629BB	10	3503	18
1638	11	3504	19
1638BB	11	3506	19
1639	11	3506D	19
1639BB	11	3515	19
1648	10	3520	20
1648BB	10	3530	20
1649	10	3540	21
1649BB	10	3545	21
1668	11	3550	22
1668BB	11	3560	22
1669	11	3570	23
1669BB	11	3623	8
1714/10	39	3626	9
1714/20	39	3640	9
1716/10	39	3643	8
1716/20	39	3646	9
1720	25	47460	111
1720BB	25	48800	106
1721	25	48800FP	109
1721BB	25	48801	106
1729	12	48801FP	109
1729BB	12	48802	107
1729C	12	48802FP	109
1729CBB	12	48803	107
1730	25	48803FP	109
1730BB	25	6215	38
1731	25	6250	38
1731BB	25	6250FP	38
1740	25	6260	39
1740BB	25	6546	36
1741	25	6550	36
1741BB	25	6551	37
1745	26	6555	37
1745BB	26	6557	37
1746	26	6594	24
1746BB	26	6594BB	24
1750	26	6594C	24
1750BB	26	6594CBB	24
1751	26	6597	24
1751BB	26	6597BB	24
1760	27	6597C	24
1760BB	27	6597CBB	24
1761	27	6801G	32
1761BB	27	6801K	32
1770	27	6851	33

Numerical index

7051.....	108	8026L/R.....	56
7053.....	108	8064CB.....	54
7104F60.....	86	8064FP.....	57
7108F60.....	86	8064RCB.....	54
7125F60.....	87	8066CB.....	54
7145N/13.....	90	8066CT2.....	85
7178F60.....	87	8066CT8.....	85
7179F60.....	88	8066FP.....	57
7179MG.....	90	8066RCB.....	54
7181F60.....	88	8068CB.....	55
7182F60.....	89	8068FP.....	57
7186F60.....	89	8069CB.....	55
71920.....	84	8069FP.....	57
71921.....	84	8069MT.....	55
71926.....	84	8080CB.....	55
71941.....	82	8081CB.....	57
71942.....	82	8397.....	99
71943.....	82	8397A.....	99
71944.....	82	8432.....	40
71961N.....	83	8433.....	40
71962N.....	83	8434.....	41
71963N.....	83	8435.....	41
71964N.....	83	8436.....	41
71965N.....	83	8440.....	40
71966N.....	83	8447.....	42
7418A.....	96	8448.....	42
7419A.....	96	8449.....	43
7420A.....	97	8456.....	40
7447APR.....	97	8457.....	41
7493A.....	97	8458.....	41
7494.....	97	8459.....	41
7495.....	97	9030.....	112
7518.....	98	9052NT.....	110
7518MG.....	98	9055.....	111
7519.....	98	9064T.....	110
75574.....	102	9066T.....	110
75574D.....	103	9067T.....	110
75580N.....	100	9133FP.....	75
75580FP.....	101	9133S.....	74
75581N.....	100	9133SE.....	74
75582N.....	101	9134FP.....	75
75583N.....	101	9134S.....	75
76015SC.....	107	9134SE.....	75
771Q2531.....	31	9135D.....	76
771Q2532.....	31	9135DE.....	76
779Q.....	31	9135FP.....	77
786Q.....	31	9136D.....	77
79052N.....	84	9136DE.....	77
79053N.....	85	9136FP.....	77
796Q.....	30	9149G.....	79
79941P1L/R.....	94	9250.....	67
79941P2L/R.....	94	9251FN.....	69
79942P1L/R.....	95	9251/6.....	68
79942P2L/R.....	95	9251/6DC.....	69
79943/55.....	111	9256FN.....	69
79945P5L/R.....	95	9267.....	70
79945P6L/R.....	95	9268.....	71
79946P5L/R.....	95	9320.....	104
79946P6L/R.....	95	9325.....	105
8.....	30	9326.....	105
8025L/R.....	56	9326E.....	105

9331	58
9331AK	65
9331CB.....	64
9331CC.....	65
9331CT10	65
9331DBS.....	63
9331DFP.....	63
9331DTC.....	63
9331SB53	63
9331SB55	62
9331SB56	62
9331SFP	63
9331SO.....	59
9331SP	63
9331STC3	63
9331STC5	62
9331STC6	62
9347	60
9347CB.....	64
9347CC.....	65
9347CT10	65
9409	80
9409B	81
9410	81
9531CB.....	64
9531CC.....	65
9531CT10	65
9531	61
9551	72
9561	112
9571	73
9581	73
98510.....	48
98515	48
98520	49
98530.....	50
98540.....	51
98580.....	30
9960.....	92
9962HDP	92
9964P	93
9968P	93
9980P	93
9990HDP	94



Allgood would like to thank Ergonom, Domus Tiles, PB Digital and Rob Wyatt Photography for their contributions to this brochure.

All information and details in this brochure are correct at time of going to press. However, Allgood plc reserves the right to change the product specifications without notice.

All dimensions are subject to production tolerances of ± 1 mm.

Printed on Consort 155, a paper produced using an environmentally friendly, elemental chlorine-free bleaching process, whilst its fibre contains raw materials sourced from Forest Stewardship Council (FSC) sustainable sources.

@lgood, @, sembla, modric and @lgood hardware are registered trademarks.

© Allgood plc 2011





overseas projects

Allgood Worldwide
297 Euston Road
London NW1 3AQ
Telephone: +44 (0)20 7255 9330
Facsimile: +44 (0)20 7383 7950
E-mail: info@allgoodww.com
Website: www.allgoodww.com

uk projects

Allgood plc
297 Euston Road
London NW1 3AQ
Telephone: 020 7387 9951
Facsimile: 020 7380 1232
E-mail: info@allgood.co.uk
Website: www.allgood.co.uk

63-83 Brearley Street
Birmingham B19 3NT
Telephone: 0121 359 4415
Facsimile: 0121 359 5832
E-mail: info@allgood.co.uk
Website: www.allgood.co.uk

28 Queen Street
Manchester M2 5HX
Telephone: 0161 834 6717
Facsimile: 0161 834 6839
E-mail: info@allgood.co.uk
Website: www.allgood.co.uk

The Wright Business Centre
1 Lonmay Road, Glasgow G33 4EL
Telephone: 0141 773 6298
Facsimile: 0141 771 9569
E-mail: info@allgood.co.uk
Website: www.allgood.co.uk