

MB-77HS



FUNCTIONALITY, AESTHETIC VALUES, DURABILITY

- durable and slender profiles enable screens of a low-threshold door of the weight of the leaf of up to 400 kg, height - up to 3.2 m and width - up to 3.3 m.
- a wide range of glazing options, allowing application of double or triple glazed units combined with thermal breaks as well as additional inserts, enable achieving high thermal and acoustic insulation of the door.
- for aesthetic values glazing beads come in three options: Standard (rectangular), Prestige (rounded) and Style (shaped)
- closed shape of glazing beads and anti-jimmy details provide enhanced security properties without altering any essential constructional elements of the door.
- unique gasket designs, together with quality hardware, ensure top end weather and air tightness performance
- profiles adapted to accommodate a number of manually or automatically operated hardware available on the market
- a large degree of compatibility with the MB-86 system creates an aesthetic combination of the MB-77HS doors with windows, and using the same components in the fabrication process
- a wide range of colour schemes allows for arrangement of doors to meet any individual requirements

TECHNICAL DATA	MB-77HS
Frame depth	174 mm
Sash depth	77 mm
Window glazing thickness	13.5 - 58.5 mm
Min. width of profiles:	
Frame	48 mm
Sash	94.5 - 105.5 mm

TECHNICAL PARAMETERS	MB-77HS
Air permeability	class 4, EN 12207
Watertightness	class 9A, EN 12208
Thermal insulation	U _f from 1.9 W/(m ² K)
Wind load resistance	up to class C4, EN 12210



ALUPROF S.A.
 Head office
 ul. Werszawska 153, 43-300 Bielsko-Biala, Poland
 tel. +48 33 81 95 300, fax +48 33 82 20 512
 e-mail: aluprof@aluprof.eu
 www.aluprof.eu, www.aluprof.co.uk

EN-03/0012



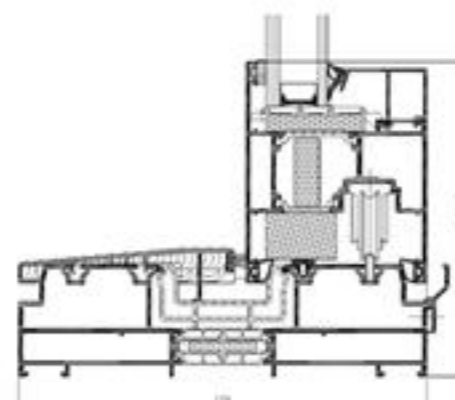
• brings the outdoors inside

• wide variety of system options

• excellent weather performance

Lift & Slide Door

MB-77HS

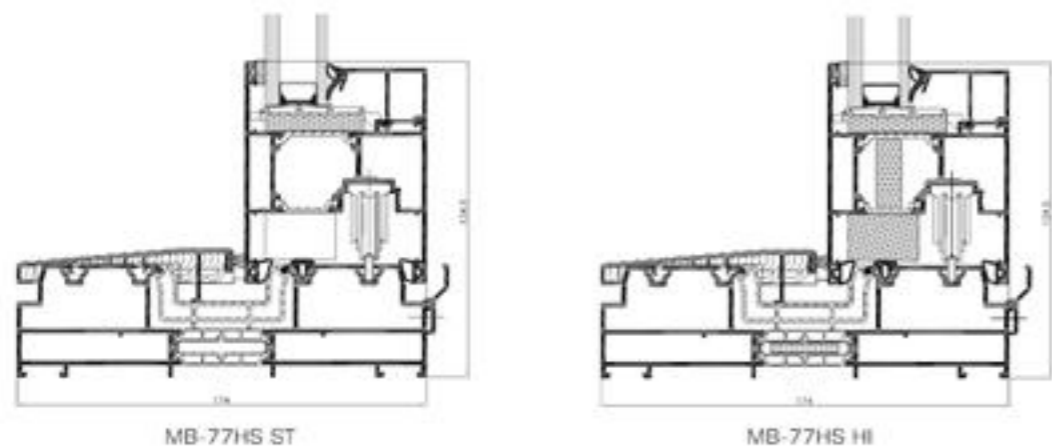


The MB-77HS "Lift & Slide" door product is an ideal solution for connecting interior space rooms or conservatories with the outside balcony, terrace or garden area. Providing both a smooth & silent slide action operation, it can bring the benefits of a beautiful day outside, into the living space. In addition, & by way of its design & operation, the MB-77HS is a great space saving opening & does not encroach the free space beyond the internal or external confines of the frame, without any compromise. Providing excellent weather tightness together with enhanced thermal performance, the MB-77HS complies with all of the requirements associated with this product type. Available in two different options, with regard to the level of thermal performance, the MB-77HS is further categorised as "ST" and "HI," standard or highly insulated. The design & arrangement of the system profiles enable luxurious openings of large dimensions, accommodating double & even triple glass unit compositions, which in conjunction with the constituent parts & innovative technical solutions, help achieve a high level of thermal & acoustic performance. Due to the system properties, & rigorous performance proven through a stringent testing regime, the MB-77HS is ideally suited to many domestic & retail applications, providing a comfortable, safe working, cost effective & low maintenance solution for the end user.

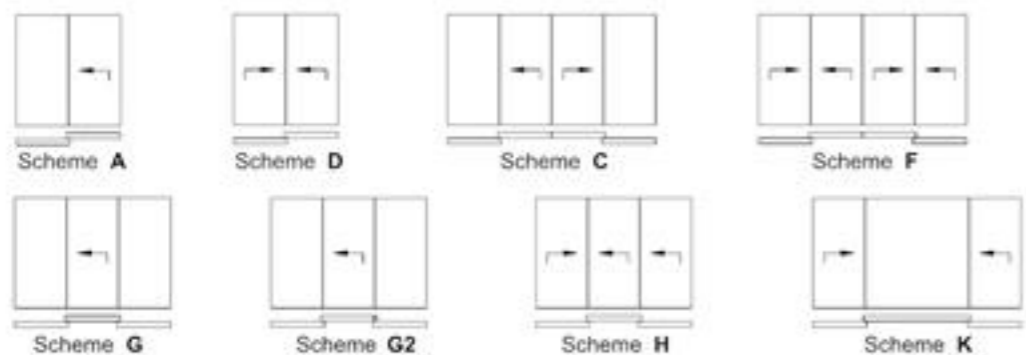


MB-77HS

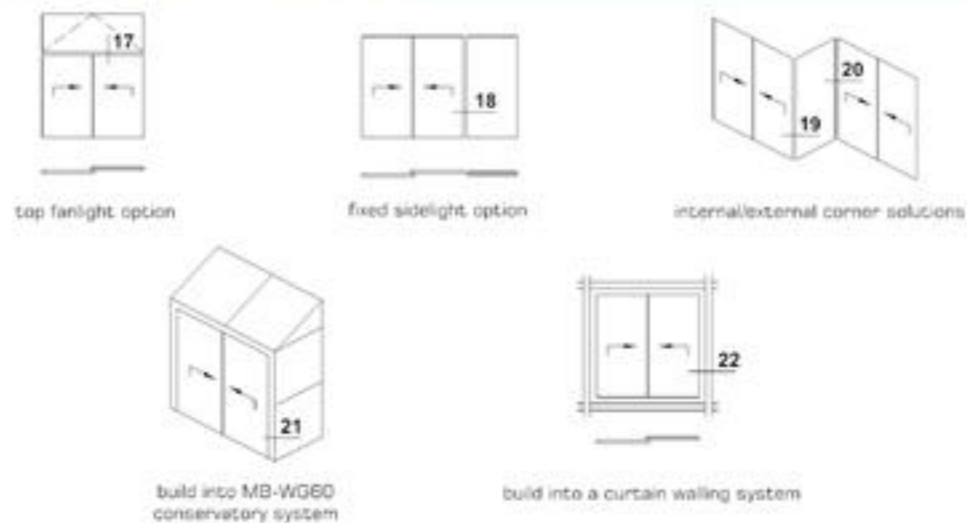
CONSTRUCTION VARIANTS



AVAILABLE DOOR CONSTRUCTION



EXAMPLES OF CONSTRUCTIONS



MB-77HS



Distribution of isotherms in the MB-77HS HI window

A WIDE RANGE OF PROFILE COLOURS:

RAL palette varnishes



Wood grain ADEC



Special finishes ATEC

