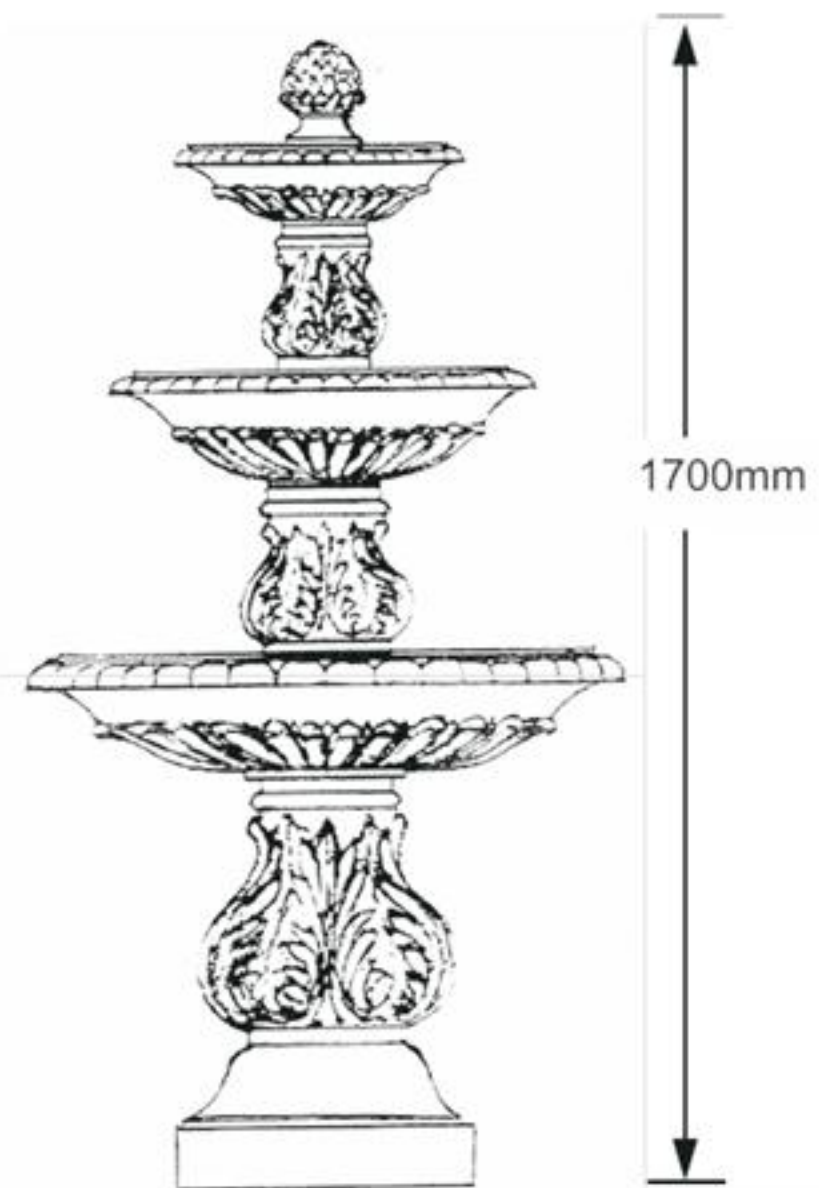
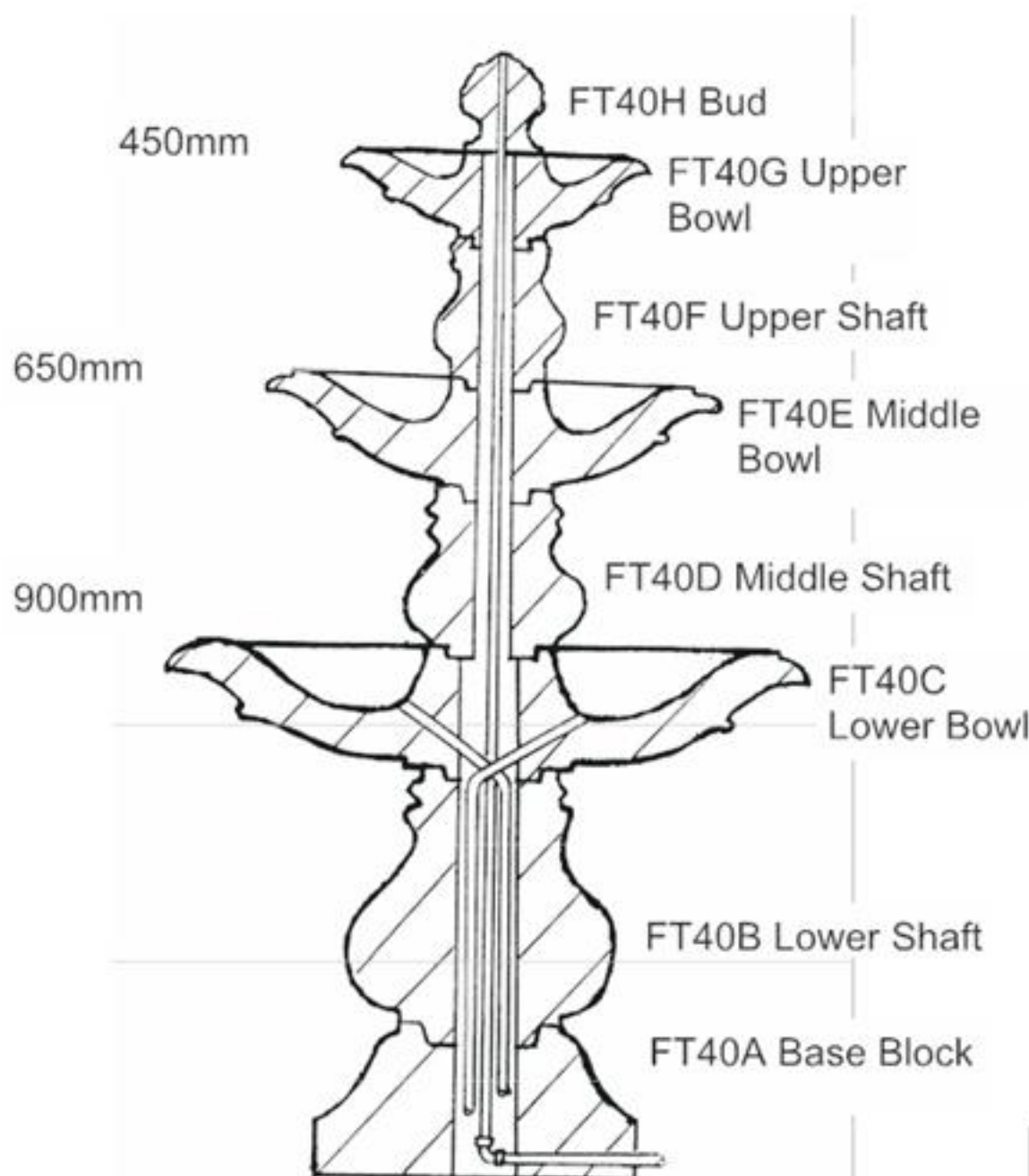


FT 40 Triple Fountain Installation Details



PLUMBING COMPONENTS LIST

1/2" Vale	- 3 No
3 Way hose adapter 3/4" BSP to 1/2" hosetails	- 1 No
Jubilee clip 1/2"	- 3 No
Jubilee clip 1"	- 2 No
90° compression elbow	- 1 No
1/2" PVC pipe	- 4m
1" PVC pipe	- 1/2 m
15mm Copper pipe	- 2 m
Pump	- 1 No
All pipework to be cut on site	

All water to be drained from the water feature at the beginning of November to prevent damage from frost and only refill in spring when the risk of severe frosts has passed. Warm water can be used on PVC pipes to facilitate ease of assembly. Bedding Joints: Use 1:1:6 cement/lime/sand mortar with a waterproofing agent added. We recommend individual components are fixed together with a polyester or epoxy adhesive. Pointing: Joints should be pointed with MDL Precast Ltd pointing mix. Allow 6mm for bedding joints.

PIPEWORK LAYOUT

